

SR-Programmable Relay Controller - Starter Kit

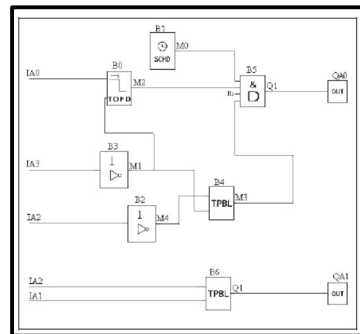


Electrotech offers a programmable relay controller kit that consists of a 12 I/O programmable relay controller which has 8 inputs / 4 relay outputs. An AC input or DC input model are available. Included is an easy to operate HMI (Human, Man Interface) which can be used to program, display the status of the inputs/outputs, and used to adjust timer and counter values. With the use of a remote mounting rack, the HMI can be “remotely” mounted on the outside of an enclosure. Programming software is free and uses function block logic. It is recommend designing more complicated programs on a PC and down loading the program using the provided programming cable that interfaces between the SR controller and PC USB port. Please visit www.esgllc-usa.com to learn more.

Applications:

- Pump control
- Lighting control
- Lift control
- Machine control...and more

Pump Control Circuit



Remote mounting rack



Order Numbers (Kit contents: 12 I/O controller, HMI, USB programming cable and software)

SR-12RAC-KIT - 100-240 V **AC Controller Kit** - 8 AC inputs / 4 relay outputs.... **\$119.00**

SR-12RDC-KIT- 12-24 V **DC Controller Kit** – 8 DC inputs / 4 relay outputs..... **\$115.00**

Technical Specifications:

Supply voltage	AC 100-240V / DC 12-24VDC
Output current	Res. Load 10 AMPS
Programing method	Function Block logic
Maximum number of function blocks	128
Protection	IP20
LCD display	4 x 10 characters
Working temp.	-20 deg. C +70 deg. C