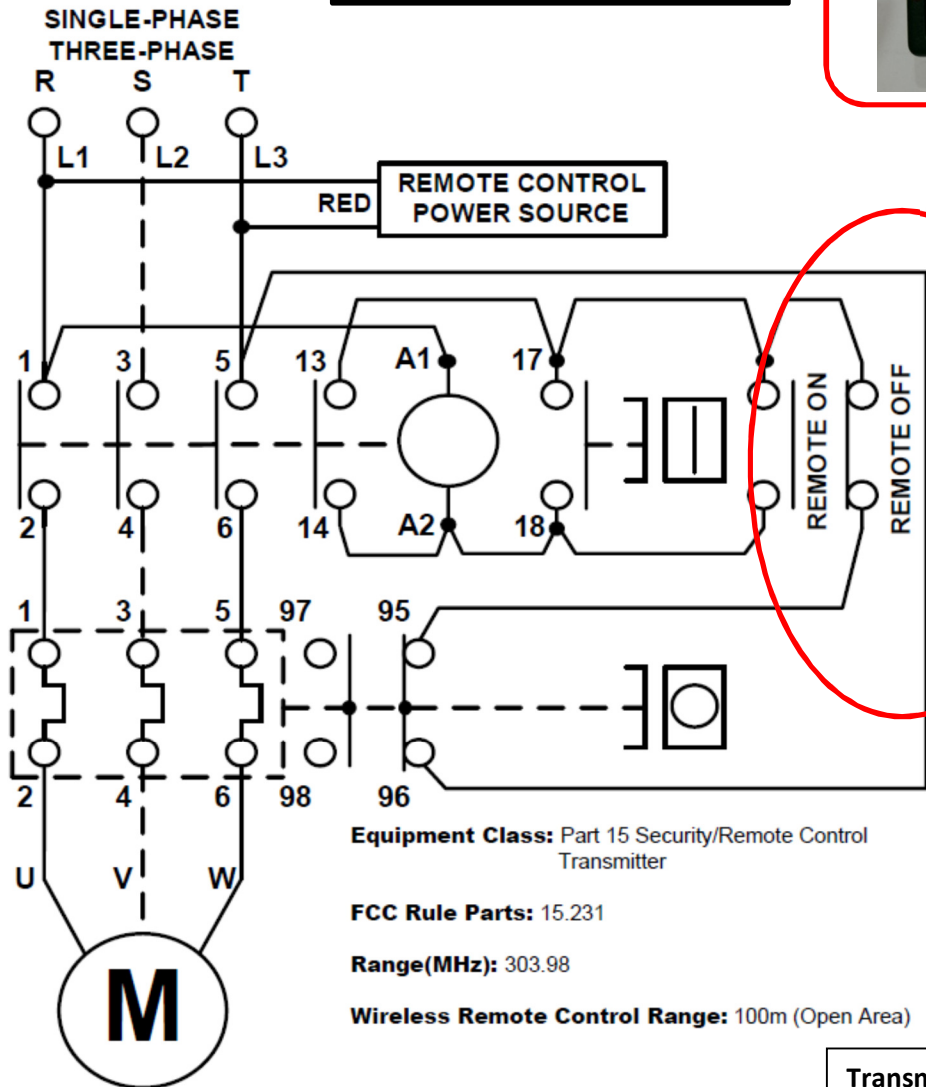




Available from ESG  
Wireless remote  
control motor  
starters...in a box

Part No. Example:  
*MS1-12D3D7N83P-R (16 amp; 3  
phase; 110V coil)...Other coils  
voltages available (24V, 220V, 230V,  
240V)*



Transmitter and receiver can be  
purchased separately:  
PN: RT = Transmitter  
PN: R  (A/D/G/H/I) receiver of  
remote control MS1, avail. Voltage is  
24(A)/110(D)/220(G)/230(H)/240(I)V