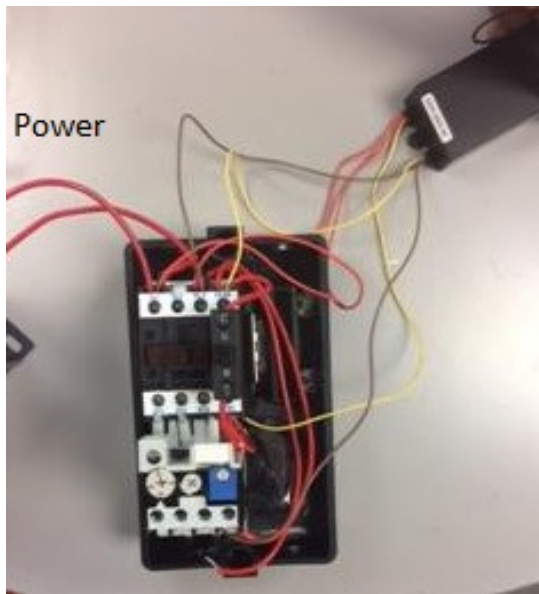
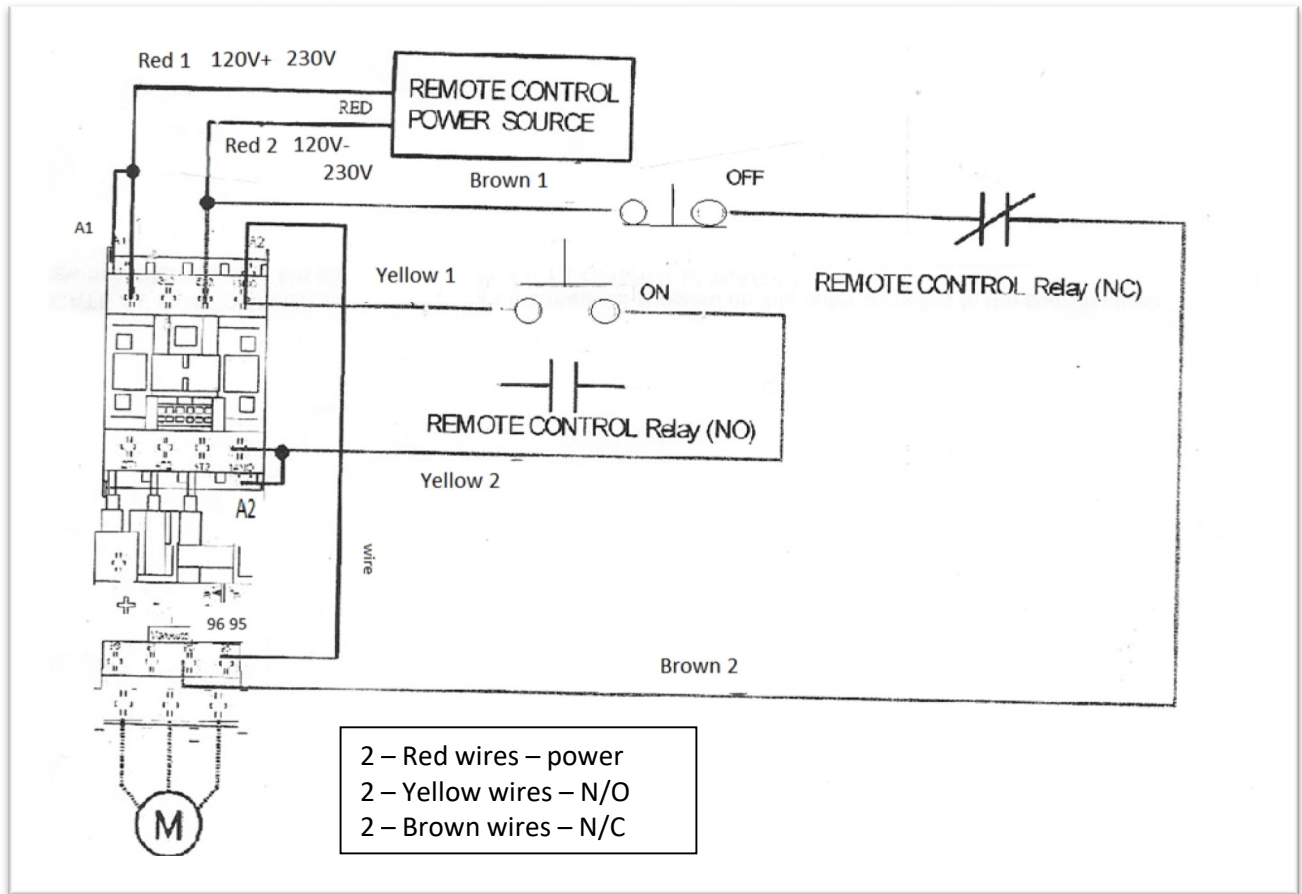


Wireless remote control range: 100m (328 ft.) open area



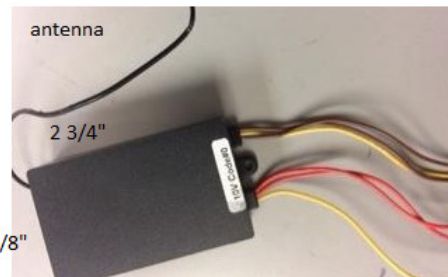
**Transmitter and receiver part numbers:**

RT = transmitter.....\$18.00/each



RD = receiver 110VAC.....\$40.00/each

RG = receiver 220-230VAC...\$40.00/each



### Complete motor starter in a box with remote control

Type : MS1 (MS1-XXD 1(3) X7 NXX XP-RW)

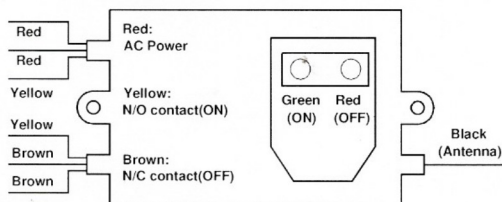
Voltage : AC100~120V/50-60Hz and AC220~240V/50-60Hz (or appoint other voltage)

Frequency : 303.9 MHz

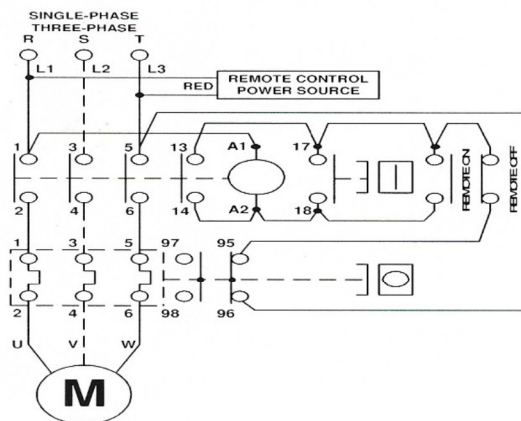
Temperature : -5°C~60°C

Action mode: ON ( Green ) motor start 、 OFF ( Red ) motor stop

Remote Controller Diagram :



Motor Starter And Remote Controller Diagram :



THIS DEVICE COMPLIES WITH PART 15 OF THE FCC RULES. OPERATION IS SUBJECT TO THE FOLLOWING TWO CONDITIONS: (1) THIS DEVICE MAY NOT CAUSE HARMFUL INTERFERENCE AND (2) THIS DEVICE MUST ACCEPT ANY INTERFERENCE RECEIVED, INCLUDING INTERFERENCE THAT MAY CAUSE UNDESIRED OPERATION.

Notice : The changes or modifications not expressly approved by the party responsible for compliance could void the user's authority to operate the equipment.

IMPORTANT NOTE: To comply with the FCC RF exposure compliance requirements, no change to the antenna or the device is permitted. Any change to the antenna or the device could result in the device exceeding the RF exposure requirements and void user's authority to operate the device.