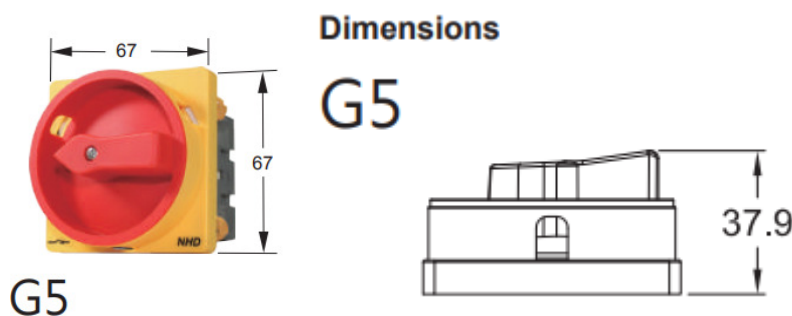


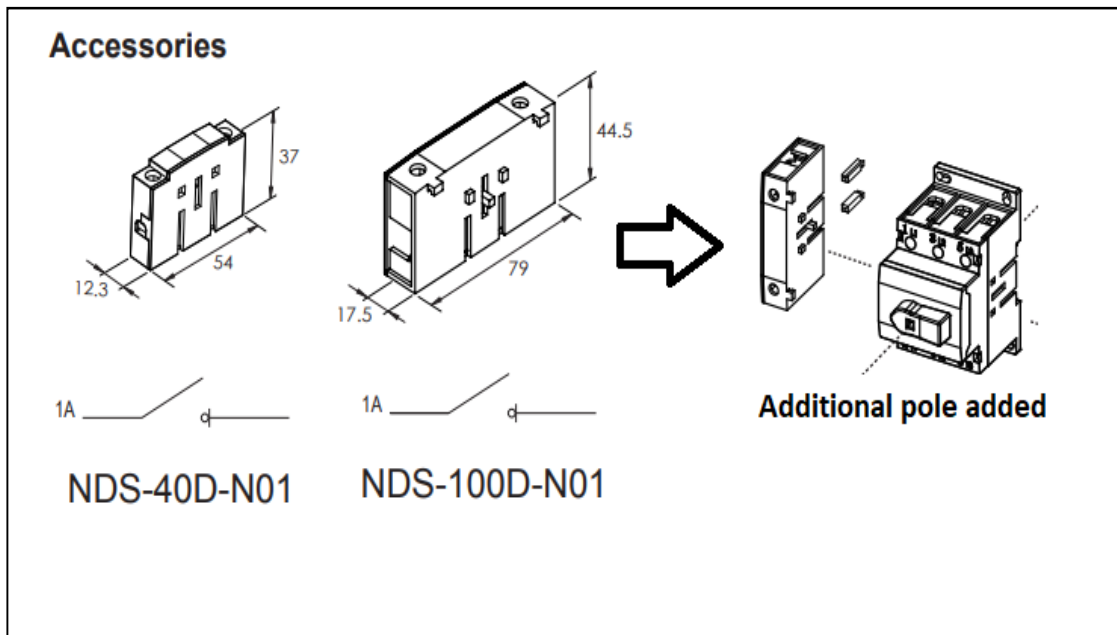
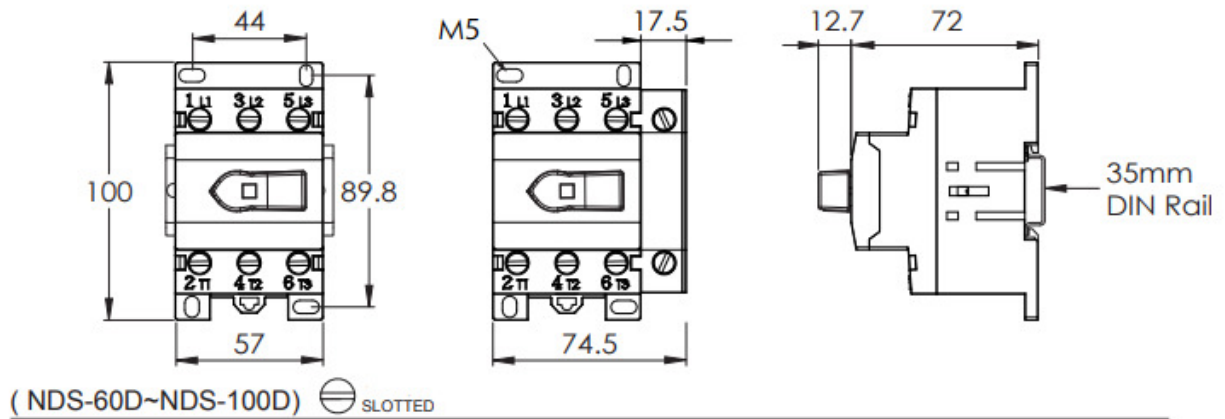
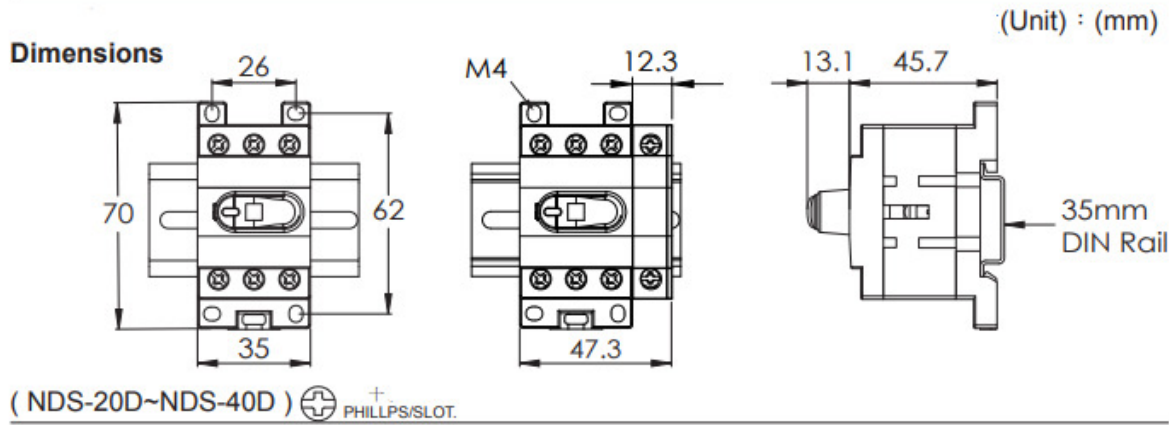
UL listed: E504299

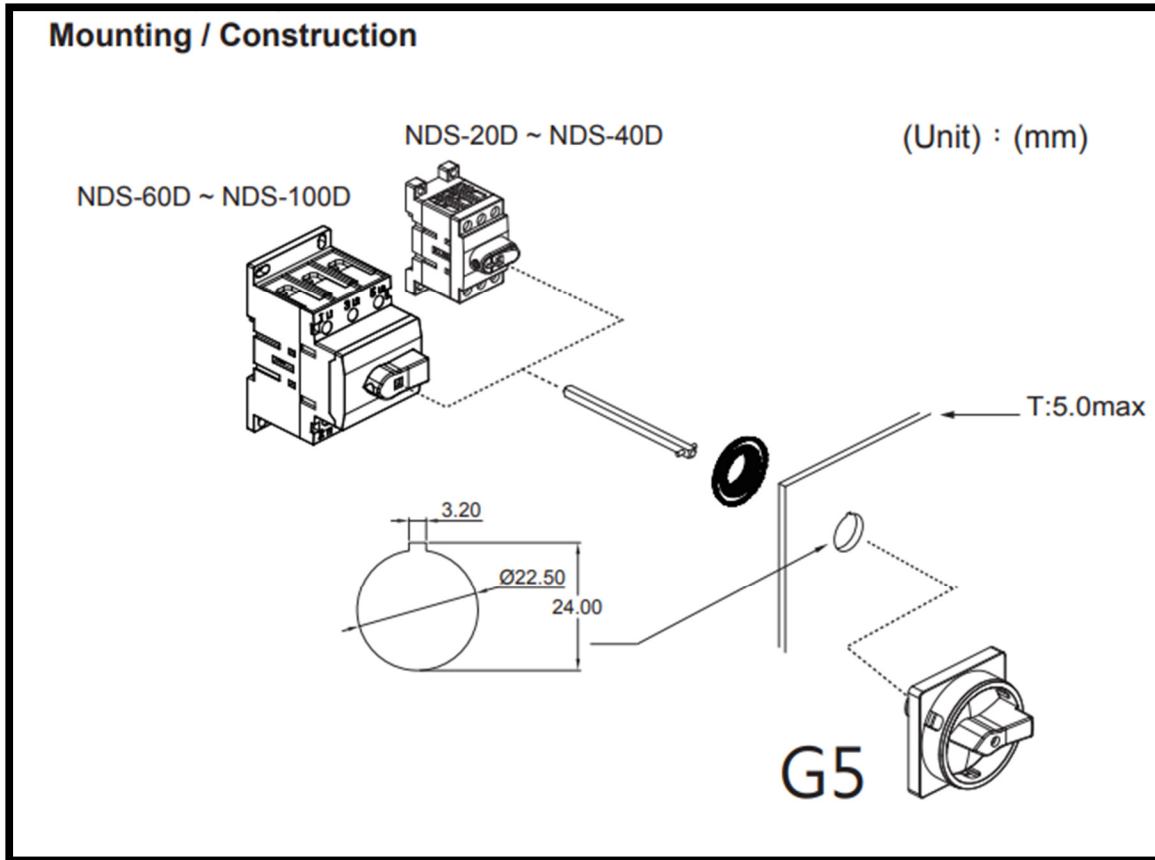
Part No.	Description	Amps
NDS-303G5DL3	3P, 30 amp disconnect with G5 handle; 300mm shaft	30
NDS-403G5DL3	3P, 40 amp disconnect with G5 handle; 300mm shaft	40
NDS-603G5DL3	3P, 60 amp disconnect with G5 handle; 300mm shaft	60
NDS-803G5DL3	3P, 80 amp disconnect with G5 handle; 300mm shaft	80
NDS-1003G5DL3	3P, 100 amp disconnect with G5 handle; 300mm shaft	100

			NDS-30	NDS-40	NDS-60	NDS-80	NDS-100
	Oper. Voltage	V	690	690	690	690	690
	Thermal Current (Ith)	A	32	40	63	80	100
3-Phase	230V	HP/A	7.5HP/22A	10HP/28A	15HP/42A	20HP/54A	30HP/80A
	460V	HP/A	15HP/21A	20HP/27A	30HP/42A	40HP/52A	50HP/65A
	690V	HP/A	20HP/22A	20HP/22A	30HP/32A	40HP/41A	50HP/52A
1-Phase	120V	HP/A	1.5HP/20A	2HP/24A	2HP/24A	2HP/24A	5HP/56A
	230V	HP/A	3HP/17A	5HP/28A	7.5HP/40A	10HP/50A	15HP/88A



IP65 (Nema 4X)





Also Available:

<h4>Circuit protection – fuse holders and circuit breakers</h4>	<h4>Relays</h4>	<h4>Power supplies</h4>
<h4>Din rail, wire duct & ferrules</h4>	<h4>Terminal blocks</h4>	<h4>Ground Blocks</h4>

And more... www.esgllc-usa.com