



## JH AUTOMATION K16 PUSHBUTTON SERIES



# K16 Series

**Key features:**

- 16mm (5/8" ) mounting hole
- LED illumination
- Compact design saves space
- Momentary, Maintained, Selector and E-Stops
- Cold-Plated Silver contacts for reliable low level switching
- IP 65 Degree of Protection

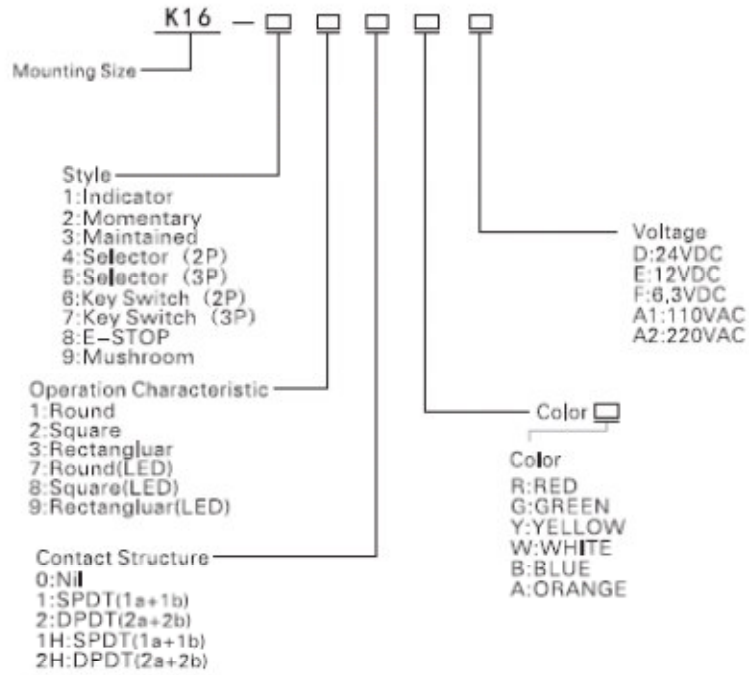


UL Recognized  
File No. E307512

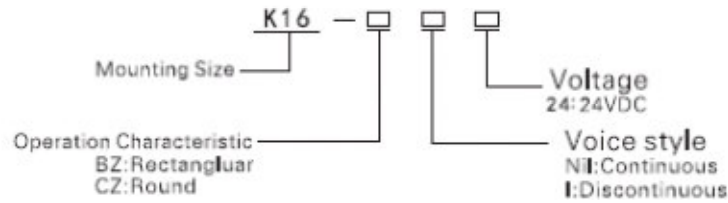


Specifications	Degree of Protection	IP65 Watertight/Oiltight			
	Contact Configuration	Single Pole, Double Pole			
	Maximum Voltage	250V AC/DC			
	Thermal Current	3A			
	Minimum Applicable Load	5V AC/DC, 1mA			
	Contact Material	Gold-plated Silver			
	Terminal Style	.110" Solder/ Quick Connect			
	Operatin Humidity	-25° to +55° C			
	Operating Temperature	45 to 85% RH			
	Contact Resistance	50M Ω maximum			
	Insulation Resistance	100M Ω minimum (500V DC megger)			
	Vibration Resistance	10 to 55Hz, amplitude 1.2mm p-p			
	Weight	>10g			
Electrical Life	100,000 operations minimum (at full rated load)				
Mechanical Life	Maintained: 1,000,000 operations minimum Momentary: 1,000,000 operations minimum Selector/Keylock: 250,000 operations minimum				
Dielectric Strength	Switch Unit: 2,000V AC, 1 min. between live/dead part and terminals of different poles; 1,000V AC, 1 minute between terminals of the same pole; 1,500V AC, 1 minute between contact and lamp terminals. Illumination Unit: 2,000V AC, 1 min. between live part/ground				
Soldering Temperature	20W/5 seconds or 260°C/3 seconds				
Contact Ratings	Operating Voltage	24V	110V	220V	
	AC (50/60Hz)	Resistive	—	1.0A	0.5A
		Inductive	—	0.7A	0.5A
	DC	Resistive	1.0A	0.2A	—
Inductive		0.7A	0.1A	—	
LED Ratings	Rated Voltage/Current	5V DC ± 5%	6V AC/DC (± 10%)	12V AC/DC (± 10%)	24V AC/DC (± 10%)
		8mA	AC: A, R, W, Y: 8mA G, S: 7mA DC: A, R, W, Y: 6mA G, S: 5mA	AC: 8mA DC: 8mA	AC: 9mA DC: 8mA

**Pushbutton Select Code**



**Buzzer Select Code**



## INDICATOR. BUZZER. E-STOP

### k16 Indicator

Degree Of Protection	Contact	Color	Shape			Voltage	Mounting Dimension	Production Dimension	Circus
			Round	Square	Rectangular				
IP 65	Gold Plated	B	K16-170B	K16-180B	K16-190B	●	○	▲	△
		G	K16-170G	K16-180G	K16-190G	●			
		R	K16-170R	K16-180R	K16-190R	●			
		Y	K16-170Y	K16-180Y	K16-190Y	●			
		W	K16-170W	K16-180W	K16-190W	●			
		A	K16-170A	K16-180A	K16-190A	●			

● VoltageCode

Voltage	Code
24VDC	D
12VDC	E
6.3VDC	F
110VAC	A1
220VAC	A2



- More details please see Dimension Part
- ▲ More details please see Dimension Part
- △ More details please see Circus Part

### k16 Buzzer

	Degree Of Protection	Contact	Shape		Mounting Dimension	Circus
			Round	Rectangular		
WITH LED	IP 65	Nil	K16-CZ	K16-BZ	○	△
WITHOUT LED	IP 65	Nil	K16-CZL	K16-BZL	○	

### k16 E-STOP

Degree Of Protection	Contact	LED Status			Mounting Dimension	Production Dimension
		Without LED	With LED	Without LED		
IP 65	SPDT	K16-811	K16-871	K16-811-N	○	▲
IP 65	DPDT	K16-812	K16-872	K16-812-N	○	

**k16 Pushbutton**

Non-Illuminated Momentary



Degree Of Protection	Contact	Color	Round	Square	Rectangular	Voltage	Mounting Dimension	Production Dimension	Circurs
IP 65	Gold Plated	B	K16-211B	K16-221B	K16-231B	●	○	▲	△
		G	K16-211G	K16-221G	K16-231G	●			
		R	K16-211R	K16-221R	K16-231R	●			
		Y	K16-211Y	K16-221Y	K16-231Y	●			
		W	K16-211W	K16-221W	K16-231W	●			
SPDT	Gold Plated	A	K16-211A	K16-221A	K16-231A	●			
		B	K16-212B	K16-222B	K16-232B	●			
		G	K16-212G	K16-222G	K16-232G	●			
		R	K16-212R	K16-222R	K16-232R	●			
		Y	K16-212Y	K16-222Y	K16-232Y	●			
DPDT	Gold Plated	W	K16-212W	K16-222W	K16-232W	●			
		A	K16-212A	K16-222A	K16-232A	●			

Non-Illuminated Momentary



Degree Of Protection	Contact	Color	Round	Square	Rectangular	Voltage	Mounting Dimension	Production Dimension	Circurs
IP 65	Gold Plated	B	K16-811B	K16-821B	K16-831B	●	○	▲	△
		G	K16-811G	K16-821G	K16-831G	●			
		R	K16-811R	K16-821R	K16-831R	●			
		Y	K16-811Y	K16-821Y	K16-831Y	●			
		W	K16-811W	K16-821W	K16-831W	●			
SPDT	Gold Plated	A	K16-811A	K16-821A	K16-831A	●			
		B	K16-812B	K16-822B	K16-832B	●			
		G	K16-812G	K16-822G	K16-832G	●			
		R	K16-812R	K16-822R	K16-832R	●			
		Y	K16-812Y	K16-822Y	K16-832Y	●			
DPDT	Gold Plated	W	K16-812W	K16-822W	K16-832W	●			
		A	K16-812A	K16-822A	K16-832A	●			



- More details please see Dimension Part
- ▲ More details please see Dimension Part
- △ More details please see Circurs Part

**k16 Pushbutton**

**Unilluminated Momentary**



Degree Of Protection	Contact	Color	Round	Square	Rectangular	Voltage	Mounting Dimension	Production Dimension	Circurs
IP 65	Gold Plated	B	K16-271B	K16-281B	K16-291B	●	○	▲	△
		G	K16-271G	K16-281G	K16-291G	●			
		R	K16-271R	K16-281R	K16-291R	●			
		Y	K16-271Y	K16-281Y	K16-291Y	●			
	SPDT	W	K16-271W	K16-281W	K16-291W	●			
		A	K16-271A	K16-281A	K16-291A	●			
IP 65	Gold Plated	B	K16-272B	K16-282B	K16-292B	●			
		G	K16-272G	K16-282G	K16-292G	●			
		R	K16-272R	K16-282R	K16-292R	●			
		Y	K16-272Y	K16-282Y	K16-292Y	●			
	SPDT	W	K16-272W	K16-282W	K16-292W	●			
		A	K16-272A	K16-282A	K16-292A	●			

**Unilluminated Momentary**



Degree Of Protection	Contact	Color	Round	Square	Rectangular	Voltage	Mounting Dimension	Production Dimension	Circurs
IP 65	Gold Plated	B	K16-971B	K16-981B	K16-991B	●	○	▲	△
		G	K16-971G	K16-981G	K16-991G	●			
		R	K16-971R	K16-981R	K16-991R	●			
		Y	K16-971Y	K16-981Y	K16-991Y	●			
	SPDT	W	K16-971W	K16-981W	K16-991W	●			
		A	K16-971A	K16-981A	K16-991A	●			
IP 65	Gold Plated	B	K16-972B	K16-982B	K16-992B	●			
		G	K16-972G	K16-982G	K16-992G	●			
		R	K16-972R	K16-982R	K16-992R	●			
		Y	K16-972Y	K16-982Y	K16-992Y	●			
	SPDT	W	K16-972W	K16-982W	K16-992W	●			
		A	K16-972A	K16-982A	K16-992A	●			

● Voltage

Voltage	Code
24VDC	D
12VDC	E
6.3VDC	F
110VAC	A1
220VAC	A2



- More details please see Dimension Part
- ▲ More details please see Dimension Part
- △ More details please see Circurs Part



**k16 Pushbutton**

Non-Illuminated Maintained



Degree Of Protection	Contact	Color	Round	Square	Rectangular	Voltage	Mounting Dimension	Production Dimension	Circurs
IP 65	Gold Plated	B	K16-311B	K16-321B	K16-331B	●	○	▲	△
		G	K16-311G	K16-321G	K16-331G	●			
		R	K16-311R	K16-321R	K16-331R	●			
		Y	K16-311Y	K16-321Y	K16-331Y	●			
		W	K16-311W	K16-321W	K16-331W	●			
SPDT		A	K16-311A	K16-321A	K16-331A	●			
		B	K16-312B	K16-322B	K16-332B	●			
		G	K16-312G	K16-322G	K16-332G	●			
		R	K16-312R	K16-322R	K16-332R	●			
		Y	K16-312Y	K16-322Y	K16-332Y	●			
DPDT		W	K16-312W	K16-322W	K16-332W	●			
		A	K16-312A	K16-322A	K16-332A	●			

Non-Illuminated Maintained



Degree Of Protection	Contact	Color	Round	Square	Rectangular	Voltage	Mounting Dimension	Production Dimension	Circurs
IP 65	Gold Plated	B	K16-911HB	K16-921HB	K16-931HB	●	○	▲	△
		G	K16-911HG	K16-921HG	K16-931HG	●			
		R	K16-911HR	K16-921HR	K16-931HR	●			
		Y	K16-911HY	K16-921HY	K16-931HY	●			
		W	K16-911HW	K16-921HW	K16-931HW	●			
SPDT		A	K16-911HA	K16-921HA	K16-931HA	●			
		B	K16-912HB	K16-922HB	K16-932HB	●			
		G	K16-912HG	K16-922HG	K16-932HG	●			
		R	K16-912HR	K16-922HR	K16-932HR	●			
		Y	K16-912HY	K16-922HY	K16-932HY	●			
DPDT		W	K16-912HW	K16-922HW	K16-932HW	●			
		A	K16-912HA	K16-922HA	K16-932HA	●			



- More details please see Dimension Part
- ▲ More details please see Dimension Part
- △ More details please see Circurs Part



**k16 Pushbutton**

Illuminated Maintained



Degree Of Protection	Contact	Color	Round	Square	Rectangular	Voltage	Mounting Dimension	Production Dimension	Circurs		
IP 65	Gold Plated	B	K16-371B	K16-381B	K16-391B	●	○	▲	△		
		G	K16-371G	K16-381G	K16-391G	●					
		R	K16-371R	K16-381R	K16-391R	●					
		Y	K16-371Y	K16-381Y	K16-391Y	●					
	SPDT	W	K16-371W	K16-381W	K16-391W	●					
		A	K16-371A	K16-381A	K16-391A	●					
		IP 65	Gold Plated	B	K16-372B	K16-382B				K16-392B	●
				G	K16-372G	K16-382G				K16-392G	●
R	K16-372R			K16-382R	K16-392R	●					
Y	K16-372Y			K16-382Y	K16-392Y	●					
DPDT	W		K16-372W	K16-382W	K16-392W	●					
	A		K16-372A	K16-382A	K16-392A	●					

Illuminated Maintained



Degree Of Protection	Contact	Color	Round	Square	Rectangular	Voltage	Mounting Dimension	Production Dimension	Circurs		
IP 65	Gold Plated	B	K16-971HB	K16-981HB	K16-991HB	●	○	▲	△		
		G	K16-971HG	K16-981HG	K16-991HG	●					
		R	K16-971HR	K16-981HR	K16-991HR	●					
		Y	K16-971HY	K16-981HY	K16-991HY	●					
	SPDT	W	K16-971HW	K16-981HW	K16-991HW	●					
		A	K16-971HA	K16-981HA	K16-991HA	●					
		IP 65	Gold Plated	B	K16-972HB	K16-982HB				K16-992HB	●
				G	K16-972HG	K16-982HG				K16-992HG	●
R	K16-972HR			K16-982HR	K16-992HR	●					
Y	K16-972HY			K16-982HY	K16-992HY	●					
DPDT	W		K16-972HW	K16-982HW	K16-992HW	●					
	A		K16-972HA	K16-982HA	K16-992HA	●					

● Voltage

Voltage	Code
24VDC	D
12VDC	E
6,3VDC	F
110VAC	A1
220VAC	A2



- More details please see Dimension Part
- ▲ More details please see Dimension Part
- △ More details please see Circurs Part





**k16 Selector Switch**

**2 Positon**



Degree Of Protection	Contact	Position	Round	Square	Rectangular	Mounting Dimension	Production Dimension
IP 65	SPDT		K16-411H	K16-421H	K16-431H	○	▲
			K16-411	K16-421	K16-431	○	
IP 65	DPDT		K16-412H	K16-422H	K16-432H	○	
			K16-412	K16-422	K16-432	○	

**3 Positon**



Degree Of Protection	Contact	Position	Round	Square	Rectangular	Mounting Dimension	Production Dimension
IP 65	DPDT		K16-512H	K16-522H	K16-532H	○	▲
			K16-512R	K16-522R	K16-532R	○	
			K16-512L	K16-522L	K16-532L	○	
			K16-512	K16-522	K16-532	○	

**Selector and Key Switch Handle Positon**

2 Positon		3 Positon			
	Maintained		Maintained		Left reset Right lock
	Momentary		Left lock Right reset		Momentary



○ More details please see Dimension Part

▲ More details please see Dimension Part

# KEY SWITCH

## k16 Key Switch

### 2 Positon



Degree Of Protection	Contact	Position	Round	Square	Rectangular	Mounting Dimension	Production Dimension
IP 65	SPDT		K16-611H	K16-621H	K16-631H	○	▲
			K16-611	K16-621	K16-631	○	
IP 65	DPDT		K16-612H	K16-622H	K16-632H	○	
			K16-612	K16-622	K16-632	○	

### 3 Positon



Degree Of Protection	Contact	Position	Round	Square	Rectangular	Mounting Dimension	Production Dimension
IP 65	DPDT		K16-712H	K16-722H	K16-732H	○	▲
			K16-712R	K16-722R	K16-732R	○	
			K16-712L	K16-722L	K16-732L	○	
			K16-712	K16-722	K16-732	○	



LED Circurs	
For 12VDC,24VDC,110VAC,220VAC	
Buzzer Circurs	
Buzzer Circurs	
Contacts Circurs	
Single Contact Circurs	
Double Contacts Circurs	

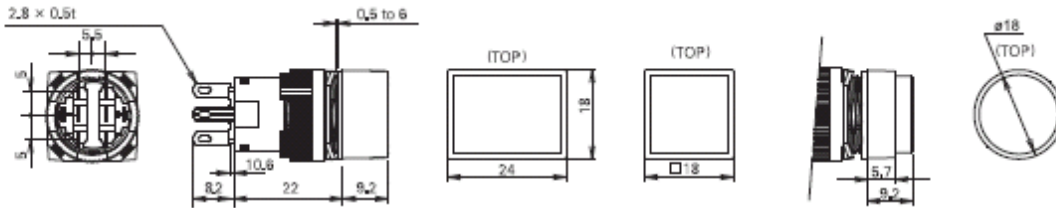


- More details please see Dimension Part
- ▲ More details please see Dimension Part
- △ More details please see Circurs Part

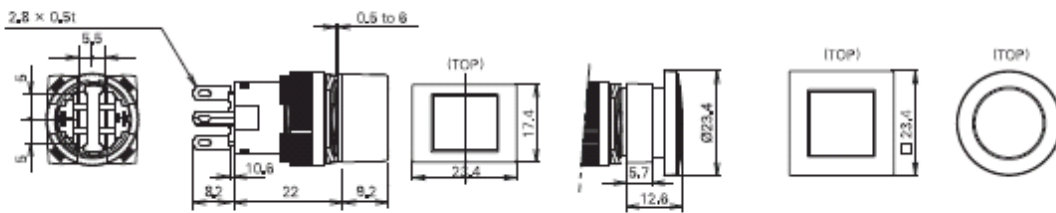


# DIMENSIONS

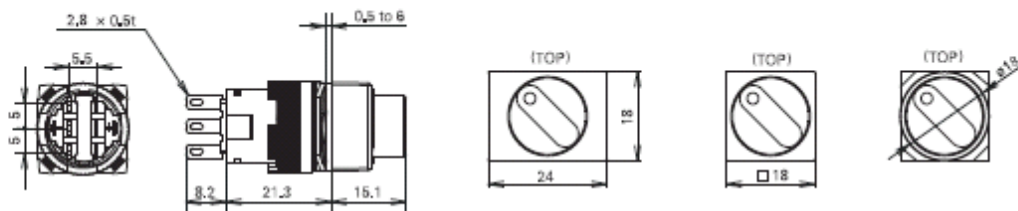
Pushbutton, Ø 5/8" (16mm)



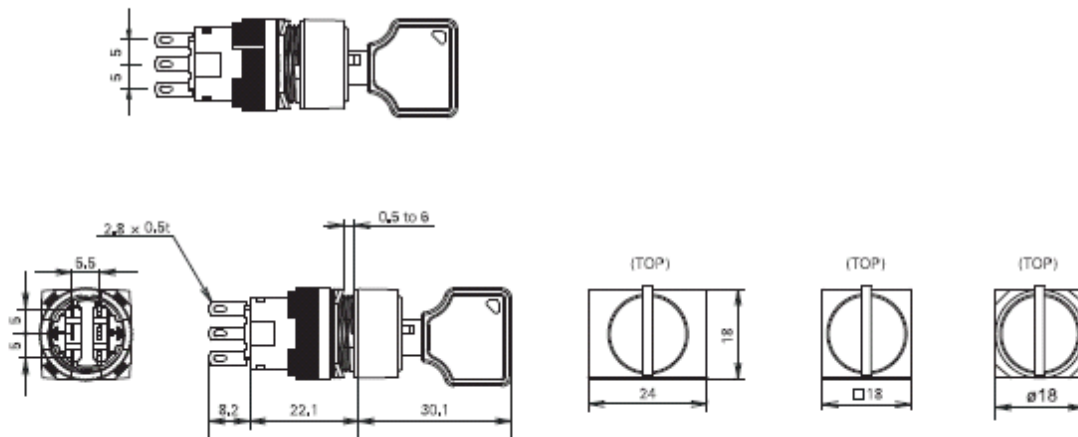
Mushroom



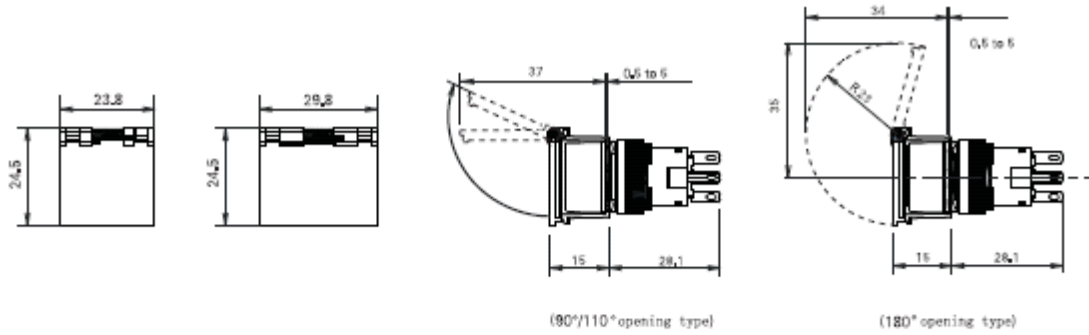
Selector Switch, Ø 5/8" (16mm)



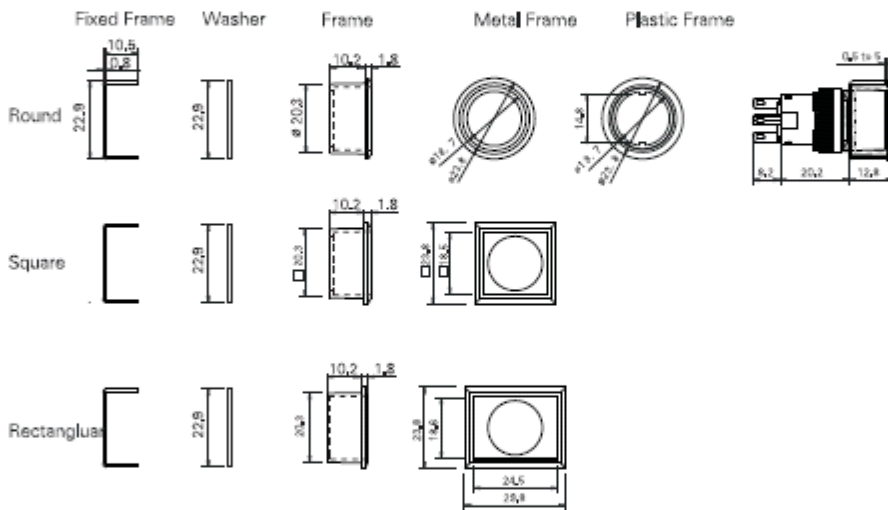
Key Switch, Ø 5/8" (16mm)



Switch Guard,  $\varnothing 5/8"$  (16mm)



Flush Bezel



Mounting Dimension

