

Metal 22mm Pilot Devices



22 mm Pushbuttons Ex9PBA, Ex9PBA+Symbol and Ex9PBL Non-Illuminated



Momentary Flush*

Color	Contacts	Product	Part Number
○	1NO	Ex9PBA11	1200000
●		Ex9PBA21	1200001
●		Ex9PBA31	1200002
●		Ex9PBA41	1200003
●		Ex9PBA51	1200004
●		Ex9PBA61	1200005
○	1NC	Ex9PBA12	1200006
●		Ex9PBA22	1200007
●		Ex9PBA32	1200008
●		Ex9PBA42	1200009
●		Ex9PBA52	1200010
●		Ex9PBA62	1200011
○	2NO	Ex9PBA13	1200012
●		Ex9PBA23	1200013
●		Ex9PBA33	1200014
●		Ex9PBA43	1200015
●		Ex9PBA53	1200016
●		Ex9PBA63	1200017
○	2NC	Ex9PBA14	1200018
●		Ex9PBA24	1200019
●		Ex9PBA34	1200020
●		Ex9PBA44	1200021
●		Ex9PBA54	1200022
●		Ex9PBA64	1200023
○	1NO+1NC	Ex9PBA15	1200024
●		Ex9PBA25	1200025
●		Ex9PBA35	1200026
●		Ex9PBA45	1200027
●		Ex9PBA55	1200028
●		Ex9PBA65	1200029

Momentary Flush+Symbol*

Color	Contacts	Product	Part Number
○	1NO	Ex9PBA3311	1200030
⓪	1NO+1NC	Ex9PBA2365	1200031
⓪	1NC	Ex9PBA4322	1200032
⓪	1NO	Ex9PBA2351	1200033
⓪	1NO+1NC	Ex9PBA1345	1200034



Momentary Extended

Color	Contacts	Product	Part Number
○	1NO+1NC	Ex9PBL15	1200039
●	1NO	Ex9PBL21	1200040
●	1NO	Ex9PBL31	1200036
●	1NC	Ex9PBL42	1200035
●	1NO+1NC	Ex9PBL55	1200037
●	1NO+1NC	Ex9PBL65	1200038

22 mm Pushbuttons

Ex9PBC and Ex9PBR Non-Illuminated



Momentary \varnothing 40 mm Mushroom Head

Color	Contacts	Product	Part Number
○	1NO	Ex9PBC11	1200378
●		Ex9PBC21	1200379
●		Ex9PBC31	1200380
●		Ex9PBC41	1200381
●		Ex9PBC51	1200382
●		Ex9PBC61	1200383
○	1NC	Ex9PBC12	1200384
●		Ex9PBC22	1200385
●		Ex9PBC32	1200386
●		Ex9PBC42	1200387
●		Ex9PBC52	1200388
●		Ex9PBC62	1200389
○	2NO	Ex9PBC13	1200390
●		Ex9PBC23	1200391
●		Ex9PBC33	1200392
●		Ex9PBC43	1200393
●		Ex9PBC53	1200394
●		Ex9PBC63	1200395
○	2NC	Ex9PBC14	1200396
●		Ex9PBC24	1200397
●		Ex9PBC34	1200398
●		Ex9PBC44	1200399
●		Ex9PBC54	1200400
●		Ex9PBC64	1200401
○	1NO+1NC	Ex9PBC15	1200402
●		Ex9PBC25	1200403
●		Ex9PBC35	1200404
●		Ex9PBC45	1200405
●		Ex9PBC55	1200406
●		Ex9PBC65	1200407

Momentary \varnothing 60 mm Mushroom Head

Color	Contacts	Product	Part Number
○	1NO	Ex9PBR11	1200408
●		Ex9PBR21	1200409
●		Ex9PBR31	1200410
●		Ex9PBR41	1200411
●		Ex9PBR51	1200412
●		Ex9PBR61	1200413
○	1NC	Ex9PBR12	1200414
●		Ex9PBR22	1200415
●		Ex9PBR32	1200416
●		Ex9PBR42	1200417
●		Ex9PBR52	1200418
●		Ex9PBR62	1200419
○	2NO	Ex9PBR13	1200420
●		Ex9PBR23	1200421
●		Ex9PBR33	1200422
●		Ex9PBR43	1200423
●		Ex9PBR53	1200424
●		Ex9PBR63	1200425
○	2NC	Ex9PBR14	1200426
●		Ex9PBR24	1200427
●		Ex9PBR34	1200428
●		Ex9PBR44	1200429
●		Ex9PBR54	1200430
●		Ex9PBR64	1200431
○	1NO+1NC	Ex9PBR15	1200432
●		Ex9PBR25	1200433
●		Ex9PBR35	1200434
●		Ex9PBR45	1200435
●		Ex9PBR55	1200436
●		Ex9PBR65	1200437

22 mm Pushbuttons Ex9PBS and Ex9PBL8 Non-Illuminated



B

Push On/Twist Off \varnothing 30 mm Mushroom Head

Color	Contacts	Product	Part Number
●	1NO	Ex9PBS441	1200448
	1NC	Ex9PBS442	1200449
	2NO	Ex9PBS443	1200450
	2NC	Ex9PBS444	1200451
	1NO+1NC	Ex9PBS445	1200452

Momentary Double Head - Flush

Color	Contacts	Product	Part Number
● + ●	1NO+1NC	Ex9PBL8325	1200438

Push On/Twist Off \varnothing 40 mm Mushroom Head

●	1NO	Ex9PBS541	1200453
	1NC	Ex9PBS542	1200454
	2NO	Ex9PBS543	1200455
	2NC	Ex9PBS544	1200456
	1NO+1NC	Ex9PBS545	1200457



Push On/Twist Off \varnothing 60 mm Mushroom Head

●	1NO	Ex9PBS641	1200458
	1NC	Ex9PBS642	1200459
	2NO	Ex9PBS643	1200460
	2NC	Ex9PBS644	1200461
	1NO+1NC	Ex9PBS645	1200462

Momentary Double Head - Extended

Color	Contacts	Product	Part Number
● + ●	1NO+1NC	Ex9PBL8425	1200439

22 mm Pushbuttons Ex9PBD and Ex9PBJ Non-Illuminated



Selector Switch - Rotary Knob

Positions	Contacts	Product	Part Number
2-Position			
V	1NO	Ex9PBD21	1200503
	1NC	Ex9PBD22	1200504
	2NO	Ex9PBD23	1200505
	2NC	Ex9PBD24	1200506
	1NO+1NC	Ex9PBD25	1200507
∩	1NO	Ex9PBD41	1200508
	1NC	Ex9PBD42	1200509
	2NO	Ex9PBD43	1200510
	2NC	Ex9PBD44	1200511
	1NO+1NC	Ex9PBD45	1200512
3-Position			
V	2NO	Ex9PBD33	1200538
	2NC	Ex9PBD34	1200539
	1NO+1NC	Ex9PBD35	1200540
∩	2NO	Ex9PBD53	1200541
	2NC	Ex9PBD54	1200542
	1NO+1NC	Ex9PBD55	1200543

Selector Switch - Rotary Handle

Positions	Contacts	Product	Part Number
2-Position			
V	1NO	Ex9PBJ21	1200513
	1NC	Ex9PBJ22	1200514
	2NO	Ex9PBJ23	1200515
	2NC	Ex9PBJ24	1200516
	1NO+1NC	Ex9PBJ25	1200517
∩	1NO	Ex9PBJ41	1200518
	1NC	Ex9PBJ42	1200519
	2NO	Ex9PBJ43	1200520
	2NC	Ex9PBJ44	1200521
	1NO+1NC	Ex9PBJ45	1200522
3-Position			
V	2NO	Ex9PBJ33	1200544
	2NC	Ex9PBJ34	1200545
	1NO+1NC	Ex9PBJ35	1200546
∩	2NO	Ex9PBJ53	1200547
	2NC	Ex9PBJ54	1200548
	1NO+1NC	Ex9PBJ55	1200549

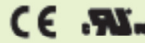
22 mm Pushbuttons

Ex9PBG Non-Illuminated



Certifications

IEC/EN 60947-5-1



Selector Switch - Key

Positions	Contacts	Product	Part Number
2-Position			
	1NO	Ex9PBG21	1200523
	1NC	Ex9PBG22	1200524
	2NO	Ex9PBG23	1200525
	2NC	Ex9PBG24	1200526
	1NO+1NC	Ex9PBG25	1200527
	1NO	Ex9PBG41	1200533
	1NC	Ex9PBG42	1200534
	2NO	Ex9PBG43	1200535
	2NC	Ex9PBG44	1200536
	1NO+1NC	Ex9PBG45	1200537
	1NO	Ex9PBG21B	1200528
	1NC	Ex9PBG22B	1200529
	2NO	Ex9PBG23B	1200530
	2NC	Ex9PBG24B	1200531
	1NO+1NC	Ex9PBG25B	1200532
3-Position			
	2NO	Ex9PBG33	1200550
	2NC	Ex9PBG34	1200551
	1NO+1NC	Ex9PBG35	1200552
	2NO	Ex9PBG53	1200553
	2NC	Ex9PBG54	1200554
	1NO+1NC	Ex9PBG55	1200555
	2NO	Ex9PBG33D	1200556
	2NC	Ex9PBG34D	1200557
	1NO+1NC	Ex9PBG35D	1200558

= Key removed at this position only.

22 mm Pushbuttons Ex9PBW3 Illuminated



Momentary Flush with Guard

Color	LED Lamp Voltage Vac/dc	Product		Product		Product		Product		Product	
		1NO	Part Number	1NC	Part Number	2NO	Part Number	2NC	Part Number	1NO+1NC	Part Number
○	6	Ex9PBW3161A	1200153	Ex9PBW3162A	1200193	Ex9PBW3163A	1200233	Ex9PBW3164A	1200273	Ex9PBW3165A	1200313
		Ex9PBW3361A	1200154	Ex9PBW3362A	1200194	Ex9PBW3363A	1200234	Ex9PBW3364A	1200274	Ex9PBW3365A	1200314
		Ex9PBW3461A	1200155	Ex9PBW3462A	1200195	Ex9PBW3463A	1200235	Ex9PBW3464A	1200275	Ex9PBW3465A	1200315
		Ex9PBW3561A	1200156	Ex9PBW3562A	1200196	Ex9PBW3563A	1200236	Ex9PBW3564A	1200276	Ex9PBW3565A	1200316
		Ex9PBW3661A	1200157	Ex9PBW3662A	1200197	Ex9PBW3663A	1200237	Ex9PBW3664A	1200277	Ex9PBW3665A	1200317
○	12	Ex9PBW3161C	1200158	Ex9PBW3162C	1200198	Ex9PBW3163C	1200238	Ex9PBW3164C	1200278	Ex9PBW3165C	1200318
		Ex9PBW3361C	1200159	Ex9PBW3362C	1200199	Ex9PBW3363C	1200239	Ex9PBW3364C	1200279	Ex9PBW3365C	1200319
		Ex9PBW3461C	1200160	Ex9PBW3462C	1200200	Ex9PBW3463C	1200240	Ex9PBW3464C	1200280	Ex9PBW3465C	1200320
		Ex9PBW3561C	1200161	Ex9PBW3562C	1200201	Ex9PBW3563C	1200241	Ex9PBW3564C	1200281	Ex9PBW3565C	1200321
		Ex9PBW3661C	1200162	Ex9PBW3662C	1200202	Ex9PBW3663C	1200242	Ex9PBW3664C	1200282	Ex9PBW3665C	1200322
○	24	Ex9PBW3161D	1200163	Ex9PBW3162D	1200203	Ex9PBW3163D	1200243	Ex9PBW3164D	1200283	Ex9PBW3165D	1200323
		Ex9PBW3361D	1200164	Ex9PBW3362D	1200204	Ex9PBW3363D	1200244	Ex9PBW3364D	1200284	Ex9PBW3365D	1200324
		Ex9PBW3461D	1200165	Ex9PBW3462D	1200205	Ex9PBW3463D	1200245	Ex9PBW3464D	1200285	Ex9PBW3465D	1200325
		Ex9PBW3561D	1200166	Ex9PBW3562D	1200206	Ex9PBW3563D	1200246	Ex9PBW3564D	1200286	Ex9PBW3565D	1200326
		Ex9PBW3661D	1200167	Ex9PBW3662D	1200207	Ex9PBW3663D	1200247	Ex9PBW3664D	1200287	Ex9PBW3665D	1200327
○	36	Ex9PBW3161E	1200168	Ex9PBW3162E	1200208	Ex9PBW3163E	1200248	Ex9PBW3164E	1200288	Ex9PBW3165E	1200328
		Ex9PBW3361E	1200169	Ex9PBW3362E	1200209	Ex9PBW3363E	1200249	Ex9PBW3364E	1200289	Ex9PBW3365E	1200329
		Ex9PBW3461E	1200170	Ex9PBW3462E	1200210	Ex9PBW3463E	1200250	Ex9PBW3464E	1200290	Ex9PBW3465E	1200330
		Ex9PBW3561E	1200171	Ex9PBW3562E	1200211	Ex9PBW3563E	1200251	Ex9PBW3564E	1200291	Ex9PBW3565E	1200331
		Ex9PBW3661E	1200172	Ex9PBW3662E	1200212	Ex9PBW3663E	1200252	Ex9PBW3664E	1200292	Ex9PBW3665E	1200332
○	48	Ex9PBW3161F	1200173	Ex9PBW3162F	1200213	Ex9PBW3163F	1200253	Ex9PBW3164F	1200293	Ex9PBW3165F	1200333
		Ex9PBW3361F	1200174	Ex9PBW3362F	1200214	Ex9PBW3363F	1200254	Ex9PBW3364F	1200294	Ex9PBW3365F	1200334
		Ex9PBW3461F	1200175	Ex9PBW3462F	1200215	Ex9PBW3463F	1200255	Ex9PBW3464F	1200295	Ex9PBW3465F	1200335
		Ex9PBW3561F	1200176	Ex9PBW3562F	1200216	Ex9PBW3563F	1200256	Ex9PBW3564F	1200296	Ex9PBW3565F	1200336
		Ex9PBW3661F	1200177	Ex9PBW3662F	1200217	Ex9PBW3663F	1200257	Ex9PBW3664F	1200297	Ex9PBW3665F	1200337
○	110	Ex9PBW3161N	1200178	Ex9PBW3162N	1200218	Ex9PBW3163N	1200258	Ex9PBW3164N	1200298	Ex9PBW3165N	1200338
		Ex9PBW3361N	1200179	Ex9PBW3362N	1200219	Ex9PBW3363N	1200259	Ex9PBW3364N	1200299	Ex9PBW3365N	1200339
		Ex9PBW3461N	1200180	Ex9PBW3462N	1200220	Ex9PBW3463N	1200260	Ex9PBW3464N	1200300	Ex9PBW3465N	1200340
		Ex9PBW3561N	1200181	Ex9PBW3562N	1200221	Ex9PBW3563N	1200261	Ex9PBW3564N	1200301	Ex9PBW3565N	1200341
		Ex9PBW3661N	1200182	Ex9PBW3662N	1200222	Ex9PBW3663N	1200262	Ex9PBW3664N	1200302	Ex9PBW3665N	1200342
○	230	Ex9PBW3161H	1200183	Ex9PBW3162H	1200223	Ex9PBW3163H	1200263	Ex9PBW3164H	1200303	Ex9PBW3165H	1200343
		Ex9PBW3361H	1200184	Ex9PBW3362H	1200224	Ex9PBW3363H	1200264	Ex9PBW3364H	1200304	Ex9PBW3365H	1200344
		Ex9PBW3461H	1200185	Ex9PBW3462H	1200225	Ex9PBW3463H	1200265	Ex9PBW3464H	1200305	Ex9PBW3465H	1200345
		Ex9PBW3561H	1200186	Ex9PBW3562H	1200226	Ex9PBW3563H	1200266	Ex9PBW3564H	1200306	Ex9PBW3565H	1200346
		Ex9PBW3661H	1200187	Ex9PBW3662H	1200227	Ex9PBW3663H	1200267	Ex9PBW3664H	1200307	Ex9PBW3665H	1200347

22 mm Pushbuttons Ex9PBV6 and Ex9PBW8 Illuminated



Indicator Light

Color	LED Lamp Voltage V _{ac/dc}	Product	Part Number
1NO+1NC			
○	6	Ex9PBV61A	1200463
●		Ex9PBV63A	1200464
●		Ex9PBV64A	1200465
●		Ex9PBV65A	1200466
●		Ex9PBV66A	1200467
○	12	Ex9PBV61C	1200468
●		Ex9PBV63C	1200469
●		Ex9PBV64C	1200470
●		Ex9PBV65C	1200471
●		Ex9PBV66C	1200472
○	24	Ex9PBV61D	1200473
●		Ex9PBV63D	1200474
●		Ex9PBV64D	1200475
●		Ex9PBV65D	1200476
●		Ex9PBV66D	1200477
○	36	Ex9PBV61E	1200478
●		Ex9PBV63E	1200479
●		Ex9PBV64E	1200480
●		Ex9PBV65E	1200481
●		Ex9PBV66E	1200482
○	48	Ex9PBV61F	1200483
●		Ex9PBV63F	1200484
●		Ex9PBV64F	1200485
●		Ex9PBV65F	1200486
●		Ex9PBV66F	1200487
○	110	Ex9PBV61N	1200488
●		Ex9PBV63N	1200489
●		Ex9PBV64N	1200490
●		Ex9PBV65N	1200491
●		Ex9PBV66N	1200492
○	230	Ex9PBV61H	1200493
●		Ex9PBV63H	1200494
●		Ex9PBV64H	1200495
●		Ex9PBV65H	1200496
●		Ex9PBV66H	1200497

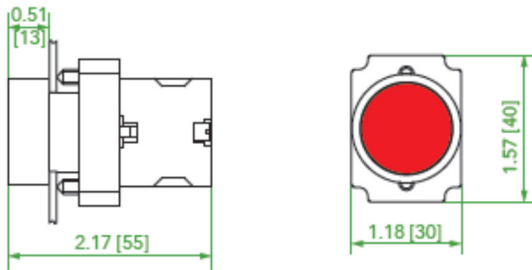
Momentary Double Head - Flush+Projecting

Color	Contacts	Product	Part Number
1NO+1NC			
● + ●	6	Ex9PBW8465A	1200441
	12	Ex9PBW8465C	1200442
	24	Ex9PBW8465D	1200443
	36	Ex9PBW8465E	1200444
	48	Ex9PBW8465F	1200445
	110	Ex9PBW8465N	1200446
	230	Ex9PBW8465H	1200447

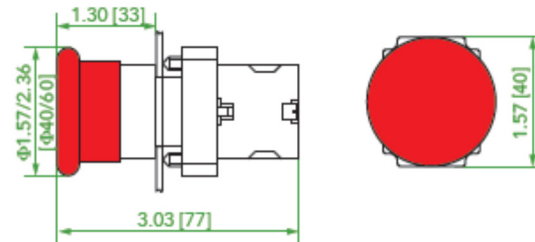
22 mm Pushbuttons

Ex9PB Dimensions

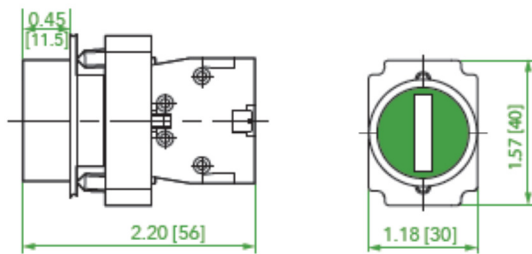
Ex9PBA
Momentary Flush
Unit: in [mm]



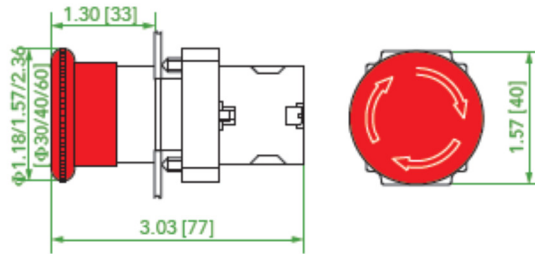
Ex9PBC/Ex9PBR
Momentary ø40 or ø60 mm Mushroom Head
Unit: in [mm]



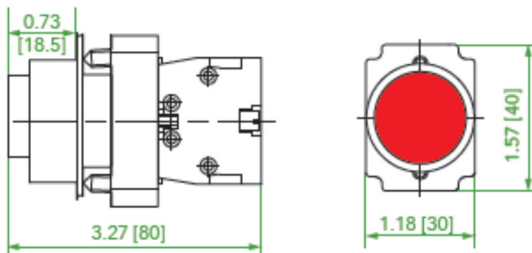
Ex9PBA+Symbol
Momentary Flush+Symbol
Unit: in [mm]



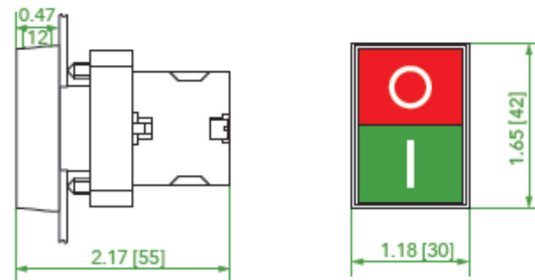
Ex9PBS
Push On/Twist Off ø30 mm Mushroom Head
Unit: in [mm]



Ex9PBL
Momentary Extended
Unit: in [mm]



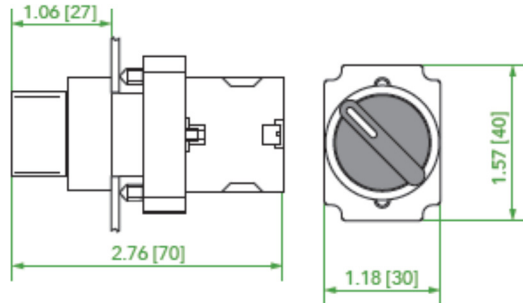
Ex9PBL8
Momentary Double Head Flush or Extended
Unit: in [mm]



22 mm Pushbuttons

Ex9PB Dimensions

Ex9PBD
Selector Switch - Rotary Knob
Unit: in [mm]

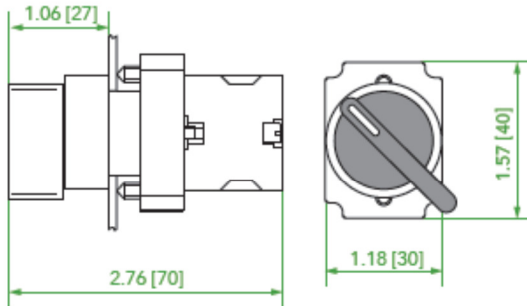


Ex9PBW3
Momentary Flush with Guard
Unit: in [mm]

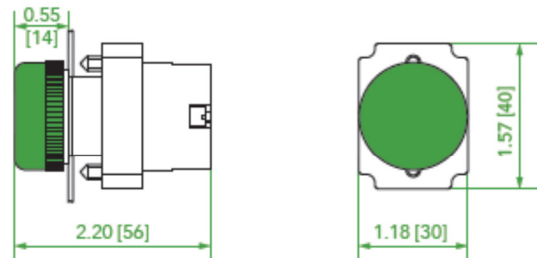
B



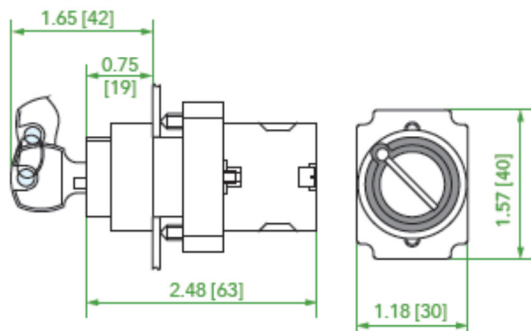
Ex9PBJ
Selector Switch - Rotary Handle
Unit: in [mm]



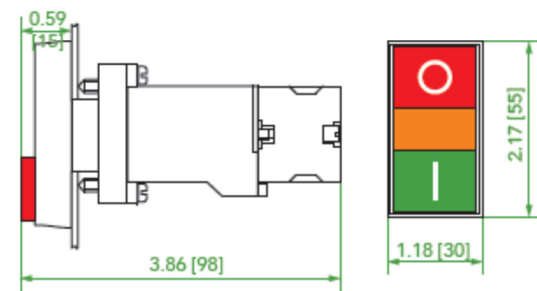
Ex9PBV6
Indicator Light
Unit: in [mm]



Ex9PBG
Selector Switch - Key
Unit: in [mm]



Ex9PBW8
Momentary Double Head - Flush+Projecting
Unit: in [mm]



Features

- Metal construction for superior durability and visual appeal
- UL listed and IP 40* (front) available for protection against dust and water
- Low behind the panel depth
- Operators mount in a round 7/8 in (22.5 mm) hole that is interchangeable with competitor's products
- Field convertible from maintained to momentary (available on maintained pushbuttons only)
- Modular construction makes assembly fast and simplifies stocking of components and complete devices

Certifications

- UL Listed, File Number E353866
- Certified for Canada according to CSA standards
- IEC/EN 60947
- VDE 0660
- CE Approved
- RoSH Compliant

