



# PUSH-IN TERMINAL BLOCKS

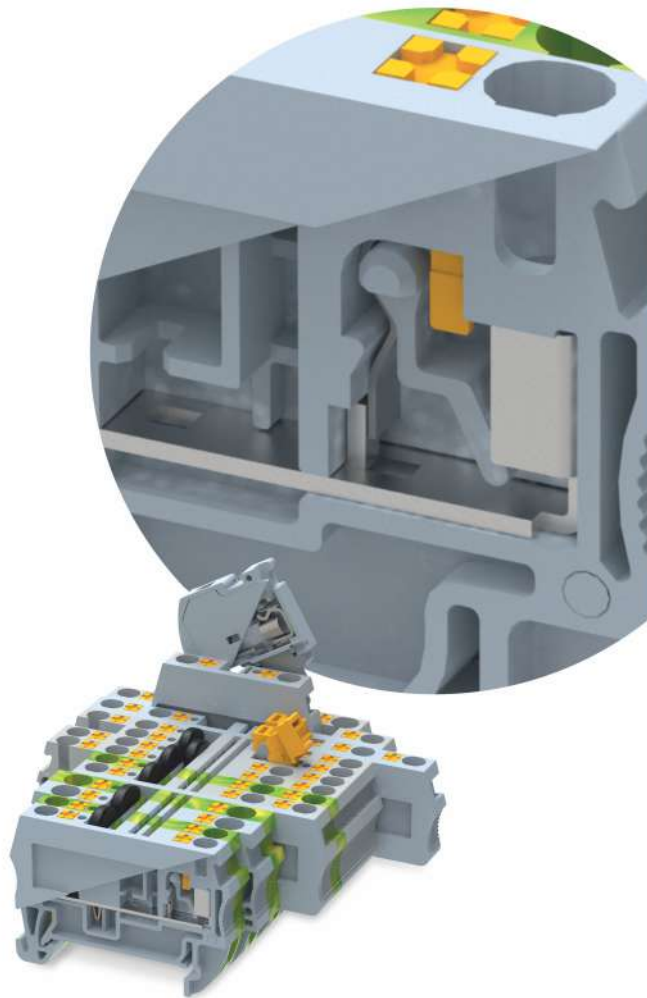
ARA



# ARA

## PUSH-IN TECHNOLOGY

Named after one of the brightest constellations in the southern sky - "Ara" in Greek mythology represents an 'Altar', a raised structure where something of value is kept. This represents the next generation "Push-In" ARA range as one of the best offerings in the market. Named after



### Features

- Push-In technology
- Tool free wiring
- Increased wiring efficiency and productivity
- Rated for 1000V
- Twin shorting facility
- Top marking label provision
- Vibration resistant connection
- Lever to release wire from terminal clamp

## Feed Through Terminals



### PQ1.5

IEC 60947-7-1  
1000 V / 17.5A / 1.5 sq mm

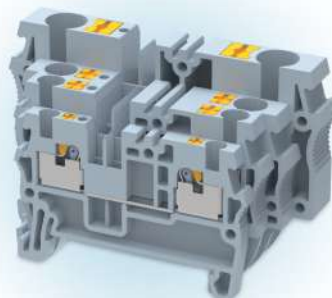
CSA/UL Rating  
600V / 15A / 14-26AWG



### PQ2.5

IEC 60947-7-1  
1000 V / 24A / 2.5 sq mm

CSA/UL Rating  
600V / 20A / 12-24AWG



### PQ4

IEC 60947-7-1  
1000 V / 32A / 4 sq mm

CSA/UL Rating  
600V / 30A / 10-24AWG



### PQ6

IEC 60947-7-1  
1000 V / 41A / 6 sq mm

CSA/UL Rating  
600V / 40A / 8-24AWG



### PQ10

IEC 60947-7-1  
1000 V / 57A / 10 sq mm

CSA/UL Rating  
600V / 60A / 8-20AWG

## Earth Terminals



### PGQ1.5

IEC 60947-7-1  
1.5 sq mm

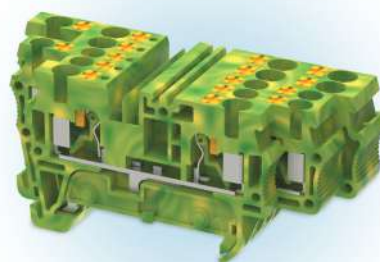
CSA/UL Rating  
14-26AWG



### PGQ2.5

IEC 60947-7-1  
2.5 sq mm

CSA/UL Rating  
12-24AWG



### PGQ4

IEC 60947-7-1  
4 sq mm

CSA/UL Rating  
10-24AWG



### PGQ6

IEC 60947-7-1  
6 sq mm

CSA/UL Rating  
8-24AWG

## Earth Multi Conductor Terminals



**PGQ2.5(1x2)**

IEC 60947-7-1  
2.5 sq mm



**PGQ2.5(2x2)**

IEC 60947-7-1  
2.5 sq mm



**PGQ4(1x2)**

IEC 60947-7-1  
4 sq mm



**PGQ4(2x2)**

IEC 60947-7-1  
4 sq mm



**PGQ6(1x2)**

IEC 60947-7-1  
6 sq mm

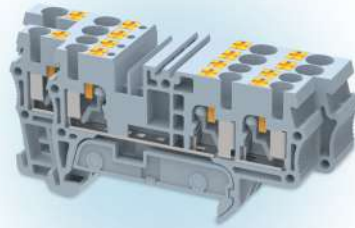
## Multi Conductor Terminals



**PQ2.5(1x2)**

IEC 60947-7-1  
1000 V / 24A / 2.5 sq mm

CSA/UL Rating  
600V / 20A / 12-24AWG



**PQ2.5(2x2)**

IEC 60947-7-1  
1000 V / 24A / 2.5 sq mm

CSA/UL Rating  
600V / 20A / 12-24AWG



**PQ4(1x2)**

IEC 60947-7-1  
1000 V / 32A / 4 sq mm



**PQ4(2x2)**

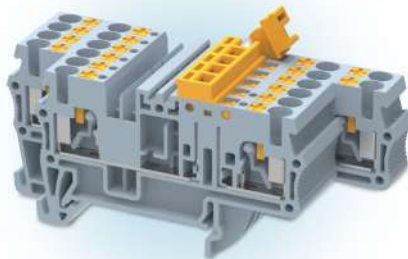
IEC 60947-7-1  
1000 V / 32A / 4 sq mm



**PQ6(1x2)**

IEC 60947-7-1  
1000 V / 41A / 6 sq mm

## Disconnect Terminals



**PQK2.5**

IEC 60947-7-1  
1000 V / 20 A / 2.5 sq mm



**PQK4**

IEC 60947-7-1  
1000 V / 20 A / 4 sq mm

## Disconnect Multiconductor Terminals



### PQK2.5(1x2)

IEC 60947-7-1  
1000 V / 20 A / 2.5 sq mm

### PQK2.5(2x2)

IEC 60947-7-1  
1000 V / 20 A / 2.5 sq mm

## Fuse Terminals



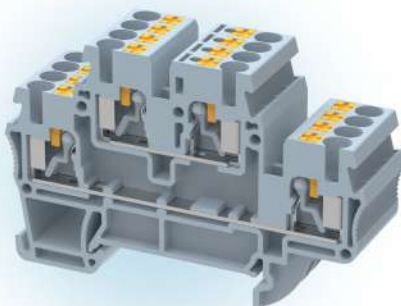
### PQF4

IEC 60947-7-1  
1000 V / 10 A / 4 sq mm

CSA/UL Rating  
600V / 6.3 A / 10-24AWG

Fuse Size: 20 x 5 sq mm  
Fuse Rating: up to 10A  
Available with & without indication

## Multi Level Terminals

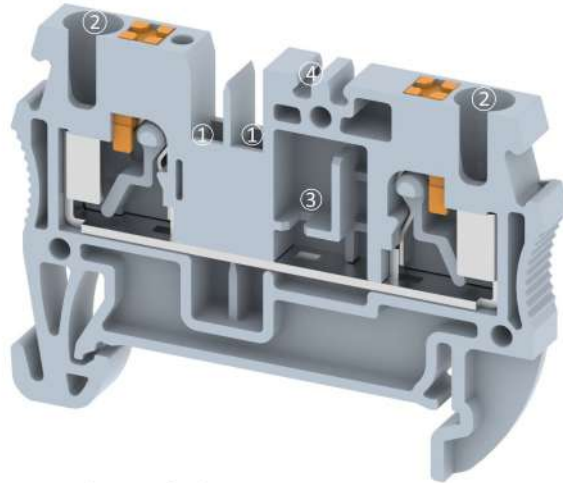


### PQ2.5-2T

IEC 60947-7-1  
1000 V / 24A / 2.5 sq mm

CSA/UL Rating  
600V / 20A / 12-24AWG

## Feed Through Terminals



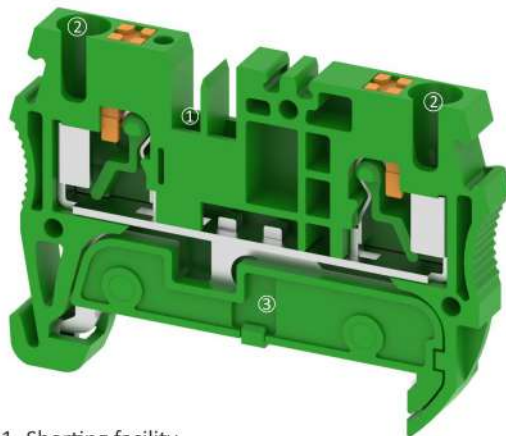
- 1 Twin shorting facility
- 2 Pin type lug entry
- 3 Diode & resistor provision feature

### New feed through terminal:

- 1000V in all terminals
- New terminal includes 1.5 sq mm to 6 sq mm
- Reducing the time for wire insertion

Harmonized/streamlined features like marking label facility and shorting link facility

## Earth Terminals



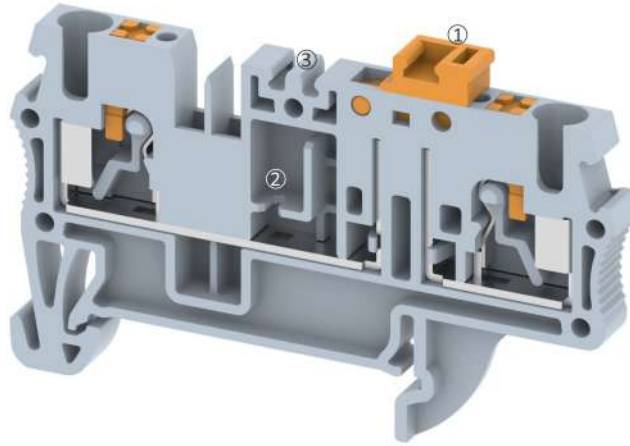
- 1 Shorting facility
- 2 Pin type lug entry
- 3 Top cover for earth foot

### New earth terminal:

- 1000V in all new TBs
- Earth terminals includes 2.5 sq mm to 6 sq mm
- Terminals available with Green/Yellow color molding

Harmonized/streamlined with mother terminal block

## Disconnect Terminals



- 1 Compact lever rotate both side of terminals
- 2 Diode & resistor provision feature
- 3 Top marking label

### **New disconnect terminal:**

- 1000V in all terminals
- Compact in design
- Marking label provision on knife edge lever
- Test probe provision feature

**Harmonized/streamlined features like marking label facility and shorting link facility**

## Contact Information

**Bhairav Joshi**  
Manager - Exports

✉ [bhairavjoshi@elmex.net](mailto:bhairavjoshi@elmex.net)  
☎ +91 97370 77738

**Daxay Soni**  
Territory Manager

✉ [dsoni@elmex.net](mailto:dsoni@elmex.net)  
☎ +91 97376 77738

**Hitesh Patel**  
Asst. Manager - EXIM

✉ [hitesh@elmex.net](mailto:hitesh@elmex.net)  
☎ +91 94283 00369

**Rahul Thakkar**  
Asst. Manager- Exports

✉ [ibsales@elmex.net](mailto:ibsales@elmex.net)  
☎ +91 99798 46927



DIN Rail Mounted Terminals  
(TS35, TS32, TS15)

DIN Rail Mounted  
Distribution Blocks  
(TS35, TS32)

DIN Rail Mounted  
Lighting Pole Terminals  
(TS35, TS32)

PCB Mounted Terminals



**Elmex Controls Pvt. Ltd. | Elmex Electric Pvt. Ltd.**

12, GIDC Estate, Makarpura, Vadodara - 390010, Gujarat, India

☎ 0265-2642021 / 23 ✉ [marketing@elmex.net](mailto:marketing@elmex.net)

🌐 [www.elmex.net](http://www.elmex.net)

ElmexControls     