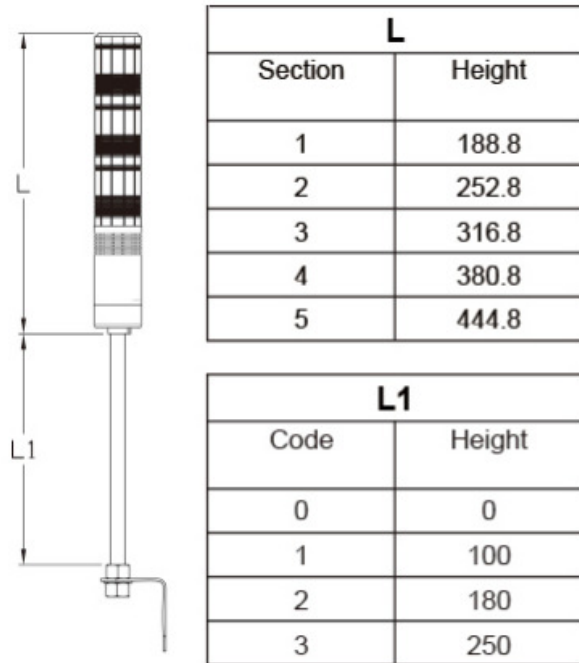


LED TOWER LAMP

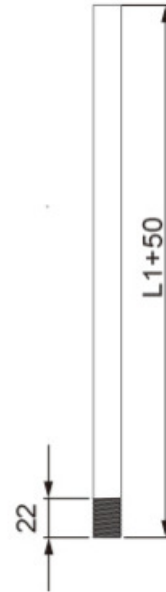
Model Designation :

NTL 5 A 3 - ROG - 1
1 2 3 4 5 6 7

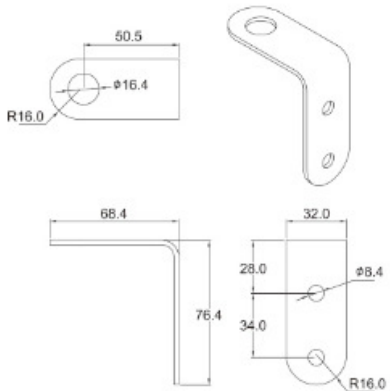
Model Designation	Code	Description
1.Mounting	N	Tube Mounting
	T	Side-Mount Bracket
	W	Tube Mounting with Round Base
	R	Direct Mounting with Round Base
	F	Rotatable Fixing Base
2.Function	L	Non-Flashing Model
	F	Flashing Model
	S	Flashing Model with Alarm
	B	Non-Flashing Model with Alarm
3.Dimension	5	Ø 50mm
4.Voltage Rating	A	AC/DC 24V
	E	AC 100V~120V
	I	AC 220V~240V
5.Section	1~5	1~5
6.Lens (Selecting from top to bottom)	R	Red
	O	Orange
	G	Green
	B	Blue
	W	White
7.Length of Tube	0	0 mm
	1	100 mm
	2	180 mm
	3	250 mm



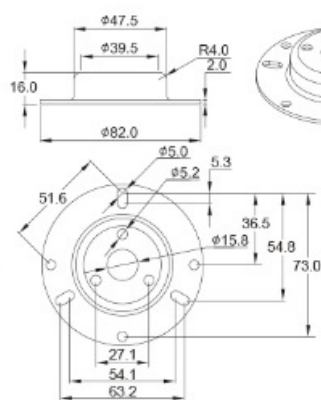
Tube



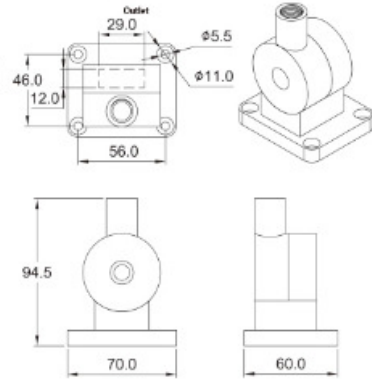
Side-Mount Bracket
Code : T



Round Base
Code : R

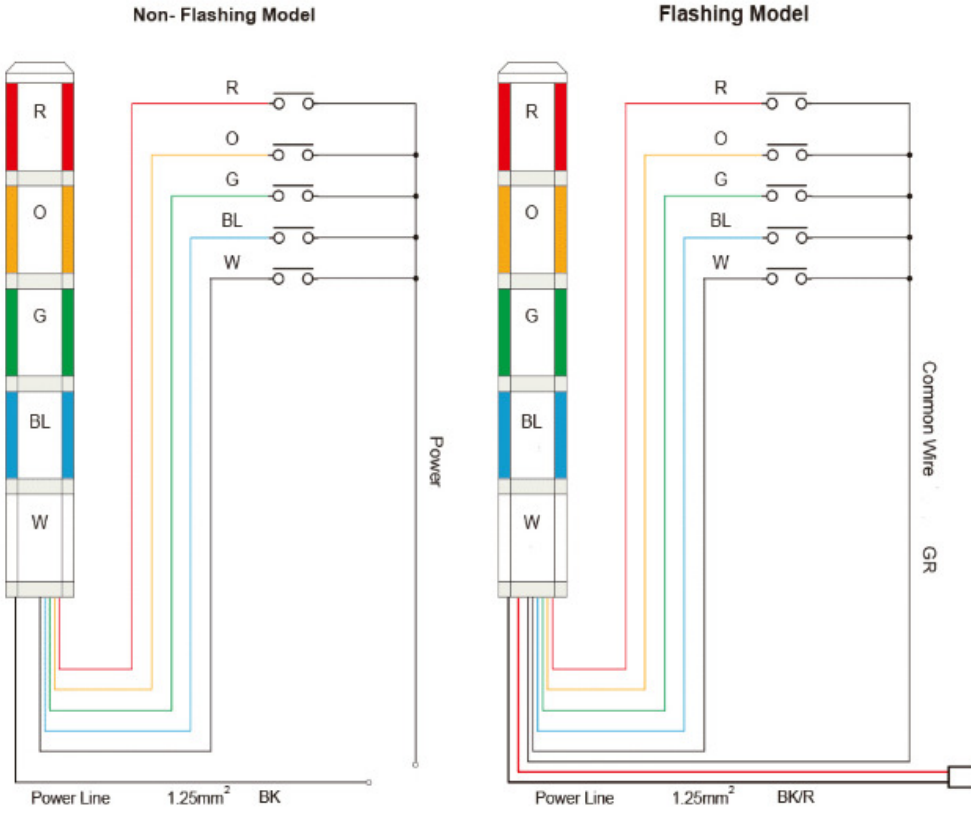


Rotatable Fixing Base
Code : F



Model Designation **Wiring Diagram**

Wiring Diagram



NTL-W



NTL-F

Flashing/Non-Flashing Model with Alarm

