

SCREW TERMINALS

woertz



Woertz AG
Hofackerstrasse 47, P.O. Box 948, CH-4132 Muttenz 1, Switzerland
Phone ++41 (0)61 466 33 33, Fax ++41 (0)61 461 96 06
www.woertz.ch

Woertz USA
151 Discovery Drive, Unit 111
Colmar, PA 18915
Phone (215) 997 8855, Fax (800) 522-3868
www.woertz-usa.com, e-mail: woertz1@erols.com

Structure of the catalog

PA 66
insulating material polyamide 66

general information

suitable mounting rail

approvals

nominal cross-section

article description

order number

technical data

number of possible labels

suitable accessories

Basic terminals
10 + 16 mm²

ratings according to IEC

ratings according to UL

Color terminals
2

additional information

Technical information

catalog register 1

section 1

page number

1.1.1

woertz

mounting rails EN 60715 TH35

mounting rails EN 60715 TH15

Woertz mounting rail

CE **UL** **PA 66** **10** **16** **11**

Clamping unit of nickel-plated brass
Connecting bar of nickel-plated copper alloy
Screws of stainless steel
For insulated, recessed and separable cross-connections
Marking facilities on both sides
Earthing terminals with connection to mounting rail: see pages 1.1.18-1.1.20
Ex terminals also available (see Ex flyer)

Article numbers

Ratings	0.5-10 mm ² 750V/57A	18-8 AWG 600V/50A	2.5-16 mm ² 750V/76A	14-4 AWG 600V/85A
grey	3452/10GR		3452/16GR	
blue	3452/10BL		3452/16BL	
green/yellow (insulated earthing conductor)	3452/10E		3452/16E	

Technical data

	4.8 x 5.2	6.5 x 6.8
Connecting capacity	mm	
Clamping screws	M4	M5
Central thread	M3	M4
Strip insulation	mm	13
Clamping couple for electric screw-driver	Nm	1.5
Packing unit	pcs	50

Accessories see pages 1.1.71 to 1.1.106

	80070 2737	80071
Test adaptors		
Marking accessories	3957/ 3958/ RB/6x12	3957/ 3958/ RB/6x12
End barriers	3464	3464
Partitions	3465	3465
Stoppers	3418	3418
Stoppers	30370	30370
Insulated cross-connections for 2, 3, 4, 5 or 10 terminals	81508/2 81508/3 81508/4 81508/5 81508/10	81541/2 81541/3 81541/4 81541/5 81541/10
Connecting pins	81508	81541
Links	81412L	81414L
Cross-junction racks	30792	/
Terminal covers for 4, 5, 6, 7 or 8 terminals	3887/4 3887/5 3887/6 3887/7 3887/8	3868/4 3868/5 3868/6 3868/7 3868/8
Fastening screws	01068	01162
Sealing eyelets	81440	81441
Sealing screws	3512	/
Warning plates	80049/10	80049/16
Covers to cross-connectors	30422	/

Basic terminals 2.5 mm²
brown 30150BR
yellow 30150GE
green 30150GN
orange 30150OR
red 30150RO
black 30150SW
white 30150WE

Basic terminals 4 mm²
brown 3450BR
yellow 3450GE
green 3450GN
orange 3450OR
red 3450RO
black 3450SW
white 3450WE

Technical information
As the current-carrying capacity of a separately laid conductor may be higher than the one of the same conductor within a cable loom, the testing laboratories don't attribute anymore a fixed value but make the permissible load dependent on the cable laying technique.

Introduction pages 1.1.4 to 1.1.14

Screw terminals for DIN35 rail EN 60715 TH 35

Series Compact pages 1.1.16 to 1.1.37

Series Comfort pages 1.1.38 to 1.1.56

Branching terminals pages 1.1.57 to 1.1.62

Special series pages 1.1.63 to 1.1.70

Accessories pages 1.1.71 to 1.1.107

Screw terminals for DIN15 rail EN 60715 TH 15

Terminal series pages 1.1.108 to 1.1.115

Accessories pages 1.1.117 to 1.1.123

Screw terminals for Woertz rail 4050A

Terminal series pages 1.1.124 to 1.1.132

Accessories pages 1.1.133 to 1.1.134

Introduction

Company profile

The Woertz company was founded in 1928; our head office is in Muttenz near Basle, Switzerland.

We are a family business with about 220 employees known as a quality manufacturer of circuitry accessories, installation systems and electronic control systems.

Our goals are:

- security,
- user-friendliness,
- and easy handling of our products.

We are certified according to ISO 9001 and ISO 14001.

Our range of products includes:

- terminals, junction boxes, grounding products, surge protection devices, anchor channels and anchoring studs
- flat cable installation systems
- floor ducts, double floor systems, under-window ducts
- electronic modules and interfaces.

The circuitry accessories and the electronic control systems are produced in our headquarters in Muttenz, the duct and double floor systems in the branch located in Hölstein.

Muttenz head office



Hofackerstrasse 47, CH-4132 Muttenz,
Switzerland
Tel. ++41 (0)61 / 466 33 33
Fax ++41 (0)61 / 461 96 06

Hölstein branch



Bärenmattenstrasse 3, CH - 4434 Hölstein,
Switzerland
Tel. ++ 41 (0)61 / 956 56 56
Fax ++ 41 (0)61 / 956 56 70



**The Swiss Association
for Quality and Management Systems**

SQS herewith certifies that the company named below has a management system
which meets the requirements of the normative bases specified below
and issues the company

**Woertz AG
CH-4132 MuttENZ 1**

Certified area

Whole Company, location MuttENZ and Hölstein

Field of activity

Electrical accessories, Installation systems

on the basis of the audit result the

**SQS Certificate
ISO 9001:2000 / ISO 14001:1996**

CH-3052 Zollikofen, 25 June 2002

This SQS Certificate is valid up to and including 24 June 2005

Scope numbers 19, 14

Registration number 10501-06

Managing Director SQS

T. Zahner

President SQS

Prof. Dr. H. D. Seghezzi



The SQS certificate ISO 9001 was issued to us 1987 for the first time and renewed regularly. ISO 14001 since 1996.

Introduction

Properties of the insulating materials

The insulating body of our terminals is made of polyamide 66. Even if this polyamide is subjected to a constant temperature of 100°C, it fulfills the electrical, mechanical and chemical properties required in terminals. The typical features of polyamide 66 are hardness, rigidity, scuff resistance and thermal endurance.

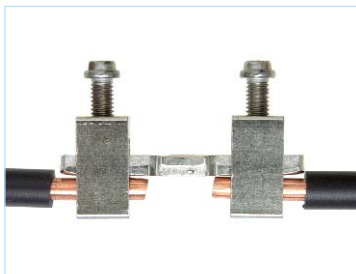
Fuse terminals and fuse plugs, where constant temperatures of over 100°C can occur, are made of polyamide 66 reinforced with fibreglass.

Polyamide 66 is hardly combustible, self-extinguishing and halogen-free (when a fire breaks out, there can't be any emanation of toxic gas combustion, which, alone or combined with humidity, could result in corrosive precipitations).

Polyamide 66 (reinforced with fibreglass or non-reinforced) is approved by all leading certification and testing institutions.

General properties	Density g/cm ³		1.14
	Humidity-absorption (normal conditions) %		2.8 ± 0.3
	Water-absorption at 23°C (saturation) %		8.5 ± 0.5
Burning behavior			
according to VDE 0304, Teil 3 (5.70)	class		II b
according to FMVSS*-302 (condition fulfilled: the flame goes out before the first marker is reached)	mm/min		< 100 * Federal Motor Vehicle Safety Standard No. 302, 1976 (sample 1 mm thick); see also DIN 75 200 (4.75)
according to UL Standard 94 (sample 1/16" thick)			94V-2
Toxic behavior		halogen-free	
Mechanical properties	Unit	State of sample	polyamide 66
Yield stress	N/mm ²	dry moist	90 65
Elongation at tear	%	dry moist	20 > 50
Elastic modulus (tension test)	N/mm ²	dry moist	3400 1700
Ductility (notch d=3mm)	kJ/m ²	dry	40
Indentation hardness	N/mm ²	dry moist	170 110
Thermal properties	Unit	State of sample	polyamide 66
Heat-resistance according to ISO 75			
Process A	°C	dry	105
Process B	°C	dry	> 200
Fusion temperature	°C	/	260
Longitudinal expansion coefficient	1/K x 10 ⁻⁵	dry	7-10
Thermal conductivity	W/(K x m)	dry	0.23
Specific heat capacity	J/(g x K)	dry	1.7
Electrical properties	Unit	State of sample	polyamide 66
Dielectric constant (10 ⁵ Hz)		dry moist	3.2 5.0
Dielectric loss factor tan δ (10 ⁵ Hz)		dry moist	0.025 0.2
Dielectric strength	kV/mm	dry moist	100-150 30-80
Specific volume resistance	Ω x cm	dry moist	10 ¹⁵ 10 ¹²
Surface resistance R _{0A}	Ω	dry moist	10 ¹² 10 ¹⁰
Creep resistance	CTI	dry / moist	> 600 (non-reinforced)

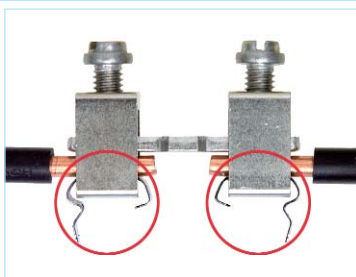
Connecting terminals with screw connections without springs



without additional spring

To connect one or more conductors with a clamping unit.
Clamping unit of nickel-plated brass.
Screws of stainless steel.
Connecting bars of nickel-plated copper alloy.
Corrosion resistant, also suitable for marine systems.
Approved for hazardous locations.

Connecting terminals with screw connections with springs



with additional spring to prevent wires from working loose

To connect one or more conductors with a clamping unit.
Clamping unit of nickel-plated brass.
Screws and springs of stainless steel.
Connecting bars of nickel-plated copper alloy.
Corrosion resistant, also suitable for marine systems, for systems with high temperature variations, vibration resistant.
Approved for hazardous locations.

Branching terminals with screw connections for through conductors without springs



Clamping screws without springs

To connect one main through conductor, stripped of its insulation at a stretch corresponding to the length of the terminal, and one or more stripped ends of branch conductors laid down on it. Always clamp main conductor and branch conductor under all two or three clamping screws.
U-shaped clamping body of nickel-plated brass.
Pressure part, screws and sliding cover of nickel-plated brass.
To insert the through conductor and one or more branch conductors pull off the sliding cover, unscrew clamping screws and remove pressure part. Insert main conductor and put branch conductor on it, so that they are clamped by all two or three clamping screws. Very secure because the main conductor is not cut anywhere.

Branching terminals with screw connections for through conductors with spring



Sprung clamping screws

To connect one main through conductor, stripped of its insulation at a stretch corresponding to the length of the terminal, and one or more stripped ends of branch conductors laid down on it. Always clamp main conductor and branch conductor under all two or three clamping screws.
U-shaped clamping body of nickel-plated brass.
Pressure part, sprung screws and sliding cover of nickel-plated brass.
To insert the through conductor and one or more branch conductors pull off the sliding cover, unscrew clamping screws and remove pressure part. Insert main conductor and put branch conductor on it, so that they are clamped by all two or three clamping screws. Very secure because the main conductor is not cut anywhere.
For systems with high temperature variations, vibration resistant.
Approved for hazardous locations.

About the nominal cross-section of the screw terminals

At least two unifilar conductors (solid conductors), multifilar conductors (rigid stranded conductors) or finely stranded conductors (flexible conductors) of the terminal's nominal cross-section can be connected to all terminals.

If the cross-section of the neutral conductor is lower than or equal to 6 mm^2 , the neutral conductor and the protective conductor must run separately.

If the cross-section of the neutral conductor is higher than or equal to 10 mm^2 , the PEN conductor can be used.

When the PEN conductor is divided into a neutral and an earth conductor, a disconnecting unit must be inserted into the neutral conductor. This disconnecting unit must fulfill the requirements of a neutral disconnecting terminal and be mounted correctly in the house wiring. It must always be easy of access.

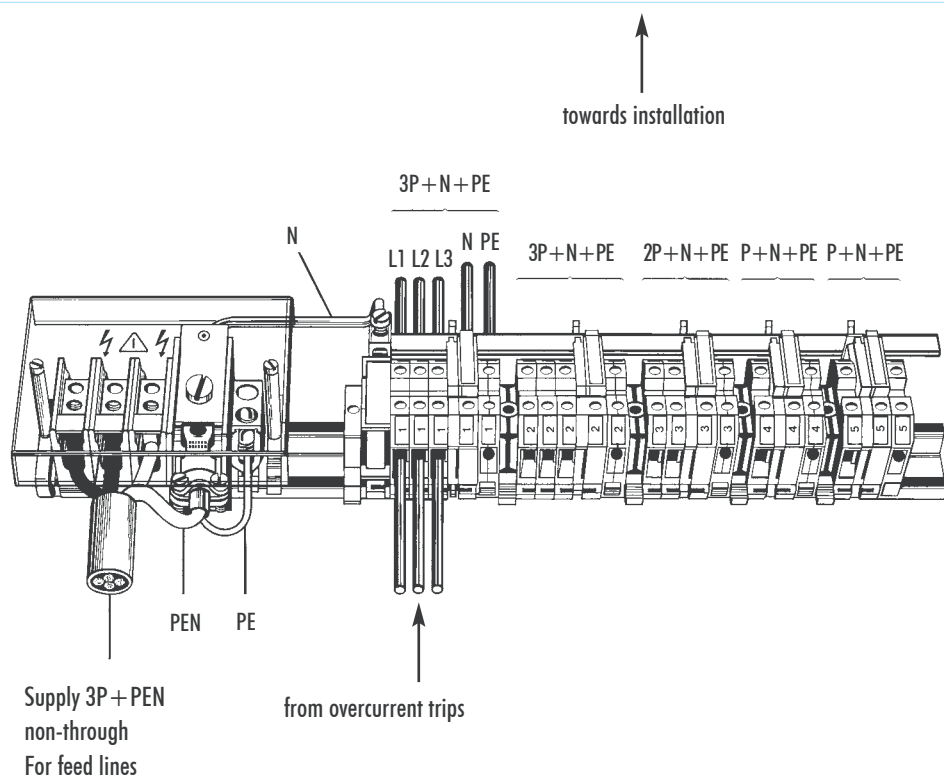
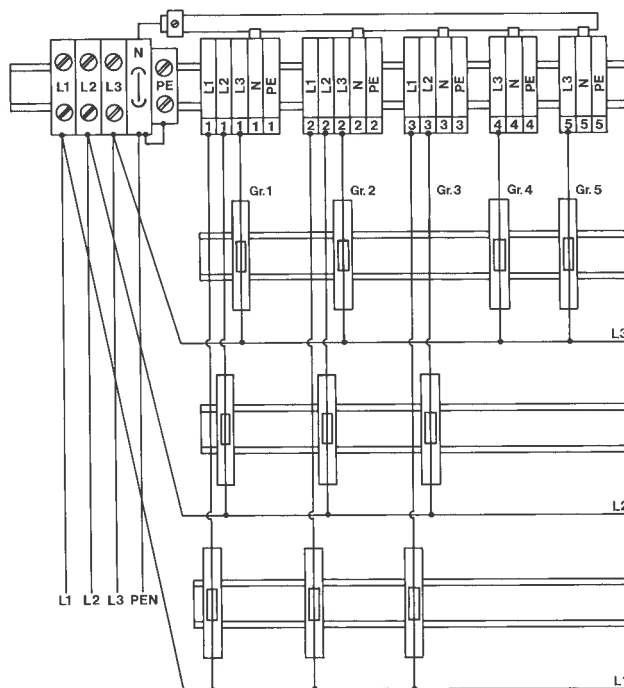
The presented neutral disconnecting terminals are perfect in accordance with these requirements and when combined with detachable neutral connectors they give rise to the following applications.

The feed line of the distribution system is lead to terminals for 3 polar conductors and to the neutral connecting terminal fastened on the mounting rail of connecting terminals. The input of the neutral disconnecting terminal is then connected to a bare earthing terminal terminal on the mounting rail.

This is the way a PEN conductor can be subdivided within a distribution system with the help of a neutral disconnecting terminal and a bare earthing terminal.

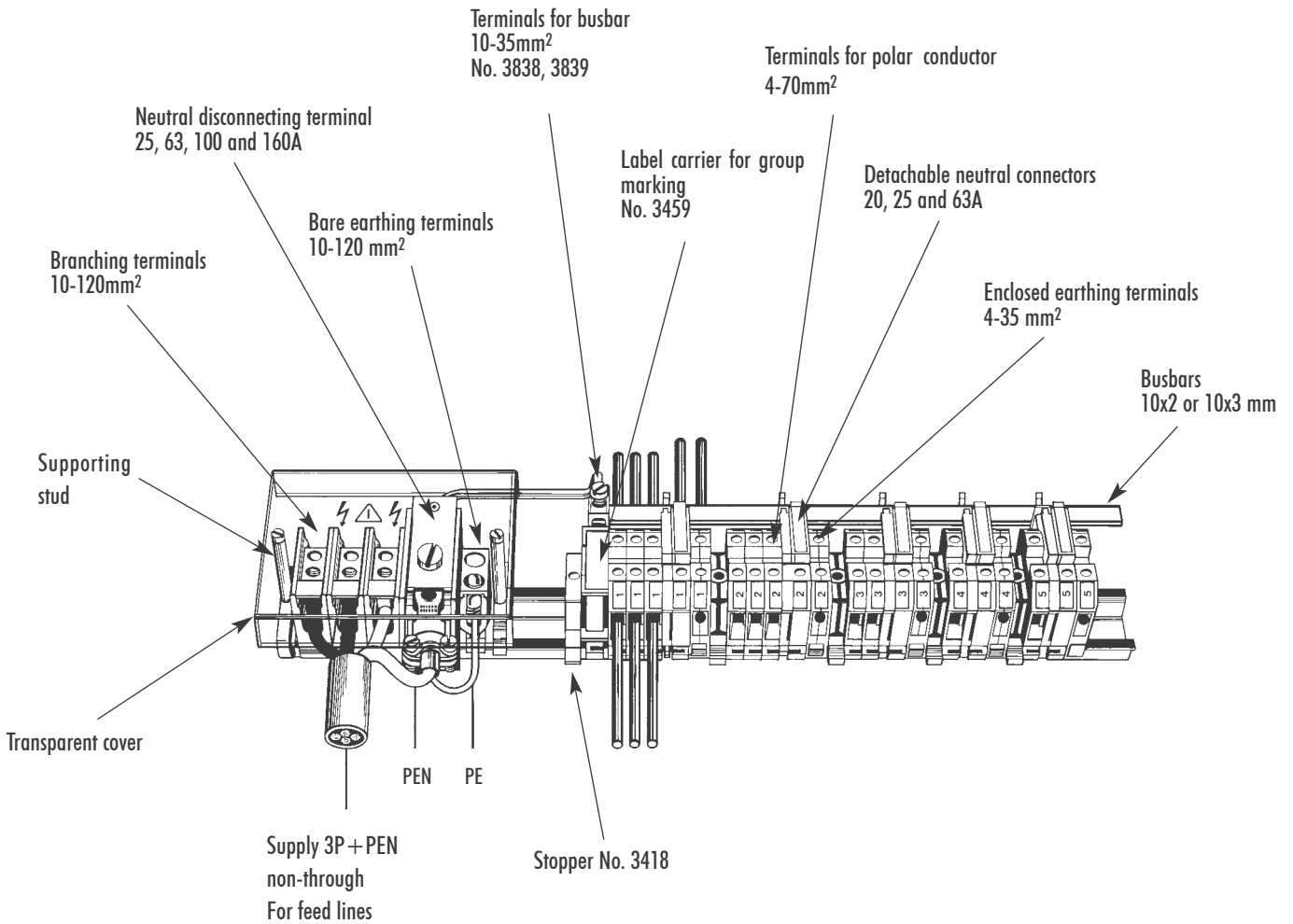
The cover fitting this combination of terminals provides protection against any accidental contact as well as locking of the neutral disconnecting terminal.

If detachable neutral connectors and earthing terminals are mounted next to the outgoing terminals, any parallel connection of neutral and protective conductors can be suppressed. The mounting rail provides the connection to the earth conductor, and the busbar of the detachable neutral connectors connected to the output of the neutral disconnecting terminal is joined to the neutral conductor.



Earthing

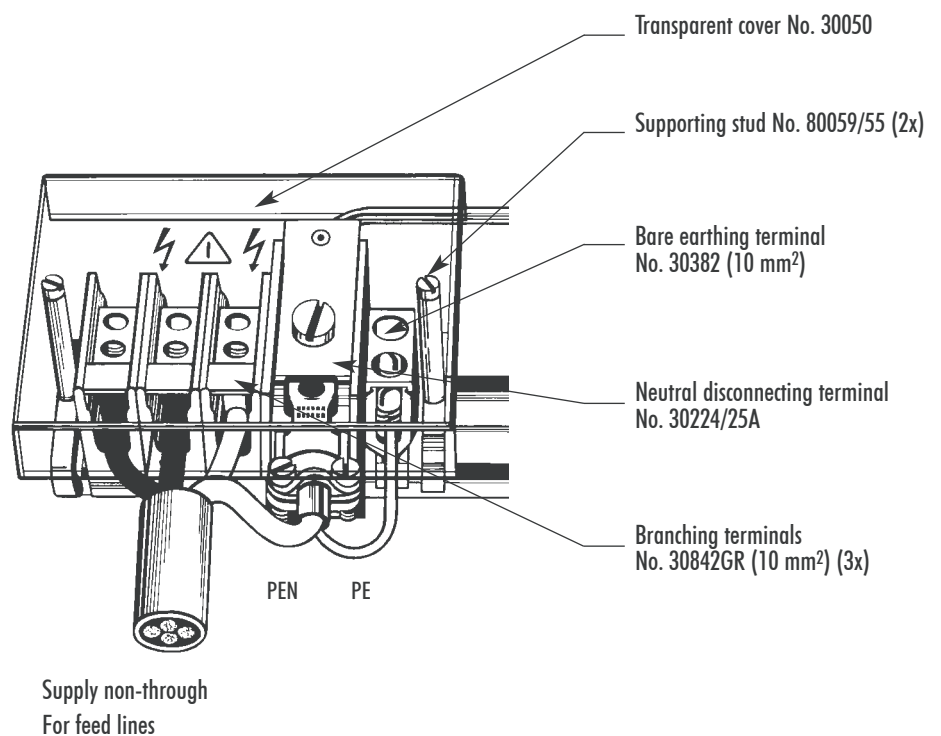
Subdivision of the PEN conductor within a distribution system



Transparent cover Art. No. 30050

Length: 114 mm
Width: 90 mm

With 2 holes for sealable screws
Distance between holes: 100 mm
With warning to protect against accidental contact
Other lengths on request



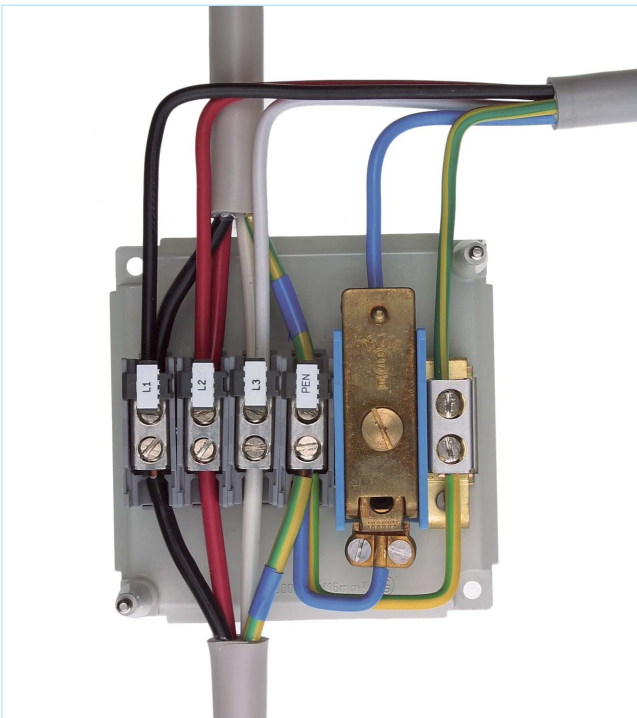
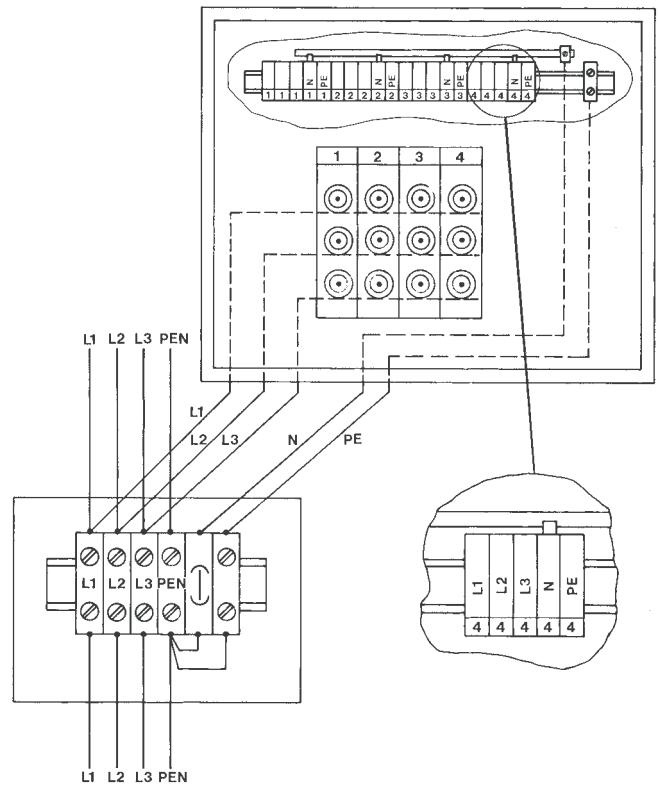
If the feed line is not directly lead to the distribution system, the PEN conductor can also be subdivided out of it, e.g. in a junction box. In this case the junction box is provided with 4 insulated terminals for through conductors, a neutral disconnecting terminal and a bare earthing terminal. Three of the insulated terminals are intended for the polar conductors and one for the PEN conductor. Two connections are established from this terminal: on one hand towards the neutral disconnecting terminal and on the other hand towards the earthing terminal.

The subdivision of the PEN conductor for the feed line leading to the distribution system occurs in the junction box while the main line with the PEN conductor goes on normally.

The cover of the junction box provides protection against any accidental contact as well as locking of the neutral disconnecting terminal.

Thus supplying the distribution system occurs through separate neutral and protective conductors, which may not be linked any more in any case.

If detachable neutral connectors and earthing terminals are mounted next to the outgoing terminals in the distribution system, any parallel connection of neutral and protective conductors can be suppressed, as the corresponding one has already been established in the junction box.

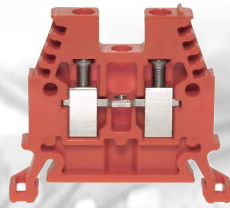


Junction boxes: series 2079K...
see page 4.1.5

Terminal overview

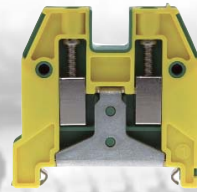
Terminals for mounting rails 35mm according to EN 60715 TH 35

Series Compact



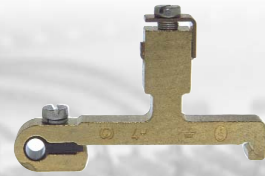
Basic terminals
2.5-16 mm²
series 3450

pages 1.1.16 - 1.1.17



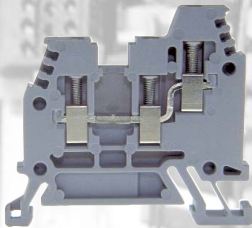
Enclosed earthing terminals
4-16 mm²
series 30544/.V

pages 1.1.18 - 1.1.19



Bare earthing terminals
4-16 mm²
series 30371

pages 1.1.20



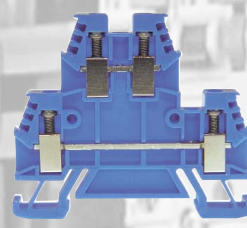
X-/Y-terminals
2.5-4 mm²
series 30903

pages 1.1.21 - 1.1.22



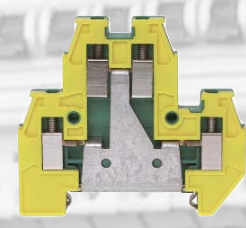
Return terminals
2.5 mm²
series 30810

pages 1.1.23



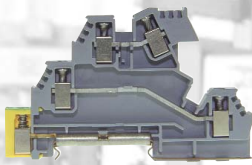
Two-step terminals
2.5-6 mm²
series 3430

pages 1.1.24 - 1.1.25



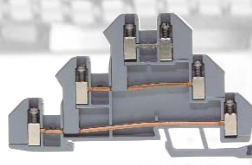
Two-step earthing terminal
4 mm²
series 3430/4V

page 1.1.26



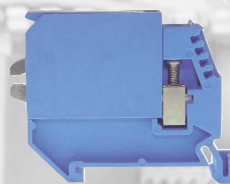
Three-step installation
terminals, 4 mm²
series 30431

pages 1.1.27 - 1.1.28



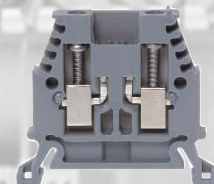
Three-step terminals for
proximity switches, 2.5 mm²
series 30403

pages 1.1.29 - 1.1.30



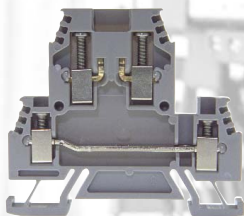
Neutral disconnecting
terminals
4-6 mm², series 30290

page 1.1.31



Disconnecting terminals
2.5 mm²
series 30800

page 1.1.32



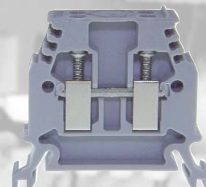
Two-step terminal with
disconnecting function 2.5 mm²
series 30890

page 1.1.33



Fuse terminals
4+10 mm²
series 30930

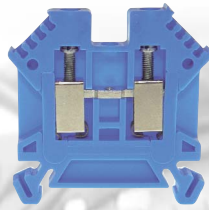
pages 1.1.34 - 1.1.36



Thermocouple terminals
2.5 mm²
series 30880

page 1.1.37

Series Comfort



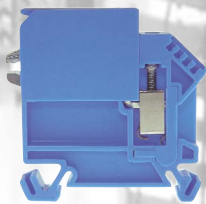
Terminals for stringent demands
2.5-70 mm²
series 3424
pages 1.1.38 - 1.1.40



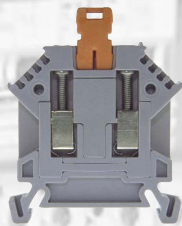
Enclosed earthing terminals for stringent demands
4-70 mm²
series 3436V
pages 1.1.41 - 1.1.42



Bare earthing terminals
4-16 mm²
series 3436
pages 1.1.43 - 1.1.45



Neutral disconnecting terminals, 4-16 mm²
series 3472
pages 1.1.46 - 1.1.47



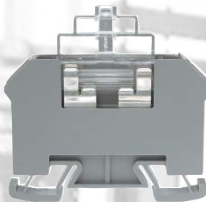
Disconnecting terminals
2.5 mm²
series 30124
pages 1.1.48 - 1.1.49



Longitudinal, lateral disconnecting terminals
2.5/10 mm², series 30168
pages 1.1.50 - 1.1.52



Universal test terminal
10 mm²
series 30146
page 1.1.53



Fuse terminals
10 mm²
series 30176
pages 1.1.54 - 1.1.56

Terminal overview

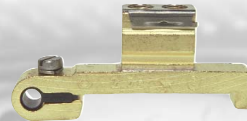
Terminals for mounting rails 35mm according to EN 60715 TH 35

Branching terminals



Branching terminals
2.5-120 mm²
series 30840

pages 1.1.57 - 1.1.59



Bare earthing terminals
2.5-120 mm²
series 30380

pages 1.1.60 - 1.1.62

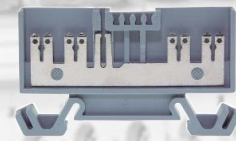
Special series



Neutral disconnecting
terminals
10-50 mm²
25-160A, series 30224
pages 1.1.63 - 1.1.64



Stud terminals,
heavy-duty terminals
95-240 mm²
series 30286
pages 1.1.65 - 1.1.67

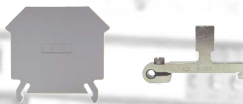


Terminals for flat push-on
connectors, 2.5 mm²
series 3440
pages 1.1.68 - 1.1.69



Busbar terminals
4-35 mm²
series 30950
page 1.1.70

Accessories



End barriers, partitions,
cross-connections, etc.

pages 1.1.71 - 1.1.99



Marking accessories

pages 1.1.100 - 1.1.104



Mounting rails and accessories

pages 1.1.105 - 1.1.107

Series Compact pages 1.1.15 to 1.1.37

Basic terminals 2.5-16mm ²	1.1.16-1.1.17
Enclosed earthing terminals 4-16mm ²	1.1.18-1.1.19
Bare earthing terminals 4-16mm ²	1.1.20
Y-terminals 2.5+4mm ²	1.1.21
X-terminals 2.5mm ²	1.1.22
Return terminals (2 connections on the same side) 2.5mm ²	1.1.23
Two-step terminals 2.5-6mm ²	1.1.24-1.1.25
Two-step earthing terminal 4mm ²	1.1.26
Three-step installation terminals 4mm ²	1.1.27-1.1.28
Three-step terminals for proximity switches 2.5mm ²	1.1.29-1.1.30
Neutral disconnecting terminals 4+6mm ²	1.1.31
Disconnecting terminals 2.5mm ²	1.1.32
Two-step terminals with disconnecting function 2.5mm ²	1.1.33
Miniature fuse terminals 4mm ²	1.1.34
Fuse terminals 4+10mm ²	1.1.35-1.1.36
Thermocouple terminals 2.5mm ²	1.1.37

Series Comfort pages 1.1.38 to 1.1.56

Terminals for stringent demands 2.5-70mm ²	1.1.38-1.1.40
Enclosed earthing terminals 4-70mm ²	1.1.41-1.1.42
Bare earthing terminals 4-70mm ²	1.1.43-1.1.44
Bare collector terminals	1.1.45
Detachable neutral connectors 4-16mm ²	1.1.46-1.1.47
Disconnecting terminals with /without plug 2.5mm ²	1.1.48-1.1.49
Longitudinal and lateral disconnecting terminals 10mm ²	1.1.50
Knife disconnecting terminals 2.5+6mm ²	1.1.51-1.1.52
Universal test terminal 10mm ²	1.1.53
Fuse terminals 10mm ²	1.1.54-1.1.56

Branching terminals pages 1.1.57 to 1.1.62

Branching terminals 2.5-120 mm ²	1.1.57-1.1.59
Bare earthing terminals 2.5-120 mm ²	1.1.60-1.1.62

Special series pages 1.1.63 to 1.1.70

Neutral disconnecting terminals 10-50mm ²	1.1.63-1.1.64
Stud terminals 95-240mm ²	1.1.65
Heavy-duty terminals 95+240mm ²	1.1.66
Earthing stud terminals 95+150mm ²	1.1.67
Terminals for flat push-on connectors 2.5mm ²	1.1.68-1.1.69
Busbar terminals 4-35mm ²	1.1.70

Basic terminals

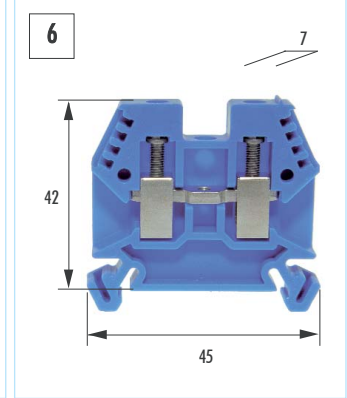
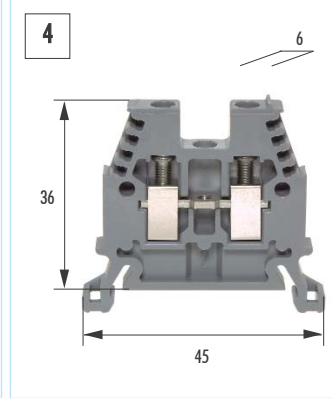
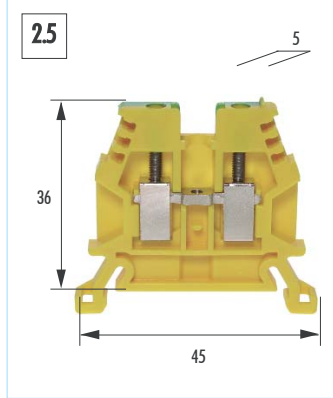
2.5-6 mm²



PA 66



- Clamping unit of nickel-plated brass
- Connecting bar of nickel-plated copper alloy
- Screws of stainless steel
- For insulated, recessed and separable cross-connections
- Marking facilities on both sides
- Earthing terminals with connection to mounting rail: see pages 1.1.18-1.1.20
- Ex terminals also available (see Ex flyer)



Article numbers

Ratings	0.5-2.5 mm ² 750V/24A	22-14 AWG 600V/15A	0.5-4 mm ² 750V/32A	22-10 AWG 600V/30A	0.5-6 mm ² 750V/41A	22-10 AWG 600V/30A
grey	30150GR		3450GR		3452/6GR	
blue	30150BL		3450BL		3452/6BL	
green/yellow (insulated earthing conductor)	30150E		3450E		3452/6E	
Special colors (see following pages)	brown, yellow, green, orange, red, black, white		brown, yellow, green, orange, red, black, white			



Technical data

Connecting capacity	mm	2.4 x 5.2	3.2 x 4.6	3.8 x 5
Clamping screws		M2.5	M3	M3
Central thread		M2.5	M3	M3
Strip insulation	mm	10	9	12
Clamping couple for electric screw-driver	Nm	0.6	0.7	0.7
Packing unit	pcs	50	50	50



Accessories see pages 1.1.71 to 1.1.107

Test adaptors		80247 80248		80070 2737 80220/6		80070 2737	
Marking accessories		RB E5 RB/5x9	6 labels 2 labels	3957/. 3958/. RB/6x12	8 labels 8 labels 2 labels	3957/. 3958/. RB/6x12	8 labels 8 labels 2 labels
End barriers		3460		3460		3464	
Partitions		3461		3461		3465	
Push-in barriers		80256		80256		/	
Stoppers		3418		3418		3418	
Stoppers		30370		30370		30370	
Insulated cross-connections for 2, 3, 4, 5 or 10 terminals		81505/2 81505/3 81505/4 81505/5 81505/10		81506/2 81506/3 81506/4 81506/5 81506/10		81507/2 81507/3 81507/4 81507/5 81507/10	
Connecting pins		81505		81506		81506	
Links		30408		81410L		81452L	
Cross-connection racks		30790		30791		/	
Terminal covers for 4, 5, 6, 7 or 8 terminals		81401/4 81401/5 81401/6 81401/7 81401/8		3886/4 3886/5 3886/6 3886/7 3886/8		3826/4 3826/5 3826/6 3826/7 3826/8	
Fastening screws		08569		17402 / 01068		17402 / 01068	
Sealing eyelets		81440		81440		81440	
Sealing screws		/		3512		3512	
Warning plates		/		80049/4		80049/6	
Covers to cross-connectors		30421		30422		30422	

Basic terminals

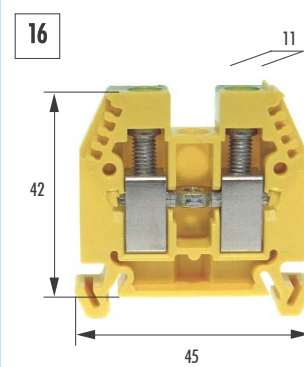
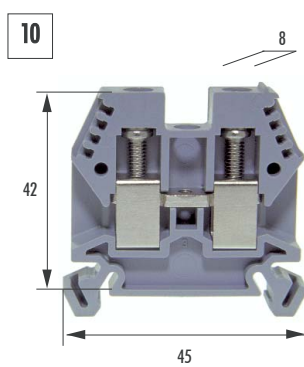
10+16 mm²



PA 66



- Clamping unit of nickel-plated brass
- Connecting bar of nickel-plated copper alloy
- Screws of stainless steel
- For insulated, recessed and separable cross-connections
- Marking facilities on both sides
- Earthing terminals with connection to mounting rail: see pages 1.1.18-1.1.20
- Ex terminals also available (see Ex flyer)



Article numbers

Ratings	0.5-10 mm ² 750V/57A	18-8 AWG 600V/50A	2.5-16 mm ² 750V/76A	14-4 AWG 600V/85A
grey	3452/10GR		3452/16GR	
blue	3452/10BL		3452/16BL	
green/yellow (insulated earthing conductor)	3452/10E		3452/16E	



Technical data

Connecting capacity	mm	4.8 x 5.2	6.5 x 6.8
Clamping screws		M4	M5
Central thread		M3	M4
Strip insulation	mm	13	13
Clamping couple for electric screw-driver	Nm	1.5	2.1
Packing unit	pcs	50	50



Accessories see pages 1.1.71 to 1.1.107

Test adaptors		80070 2737		80071	
Marking accessories		3957/. 3958/. RB/6x12	8 labels 8 labels 2 labels	3957/. 3958/. RB/6x12	8 labels 8 labels 2 labels
End barriers		3464		3464	
Partitions		3465		3465	
Stoppers		3418		3418	
Stoppers		30370		30370	
Insulated cross-connections for 2, 3, 4, 5 or 10 terminals		81508/2 81508/3 81508/4 81508/5 81508/10		81541/2 81541/3 81541/4 81541/5 81541/10	
Connecting pins		81508		81541	
Links		81412L		81414L	
Cross-junction racks		30792		/	
Terminal covers for 4, 5, 6, 7 or 8 terminals		3887/4 3887/5 3887/6 3887/7 3887/8		3868/4 3868/5 3868/6 3868/7 3868/8	
Fastening screws		01068		01162	
Sealing eyelets		81440		81441	
Sealing screws		3512		/	
Warning plates		80049/10		80049/16	
Covers to cross-connectors		30422		/	

Color terminals

The basic terminals 2.5 and 4 mm² of this series are also available in following colors

Basic terminals 2.5 mm²

brown	30150BR
yellow	30150GE
green	30150GN
orange	30150OR
red	30150RO
black	30150SW
white	30150WE

Basic terminals 4 mm²

brown	3450BR
yellow	3450GE
green	3450GN
orange	3450OR
red	3450RO
black	3450SW
white	3450WE

Technical information

As the current-carrying capacity of a separately laid conductor may be higher than the one of the same conductor within a cable loom, the testing laboratories don't attribute anymore a fixed value but make the permissible load dependent on the cable laying technique.

2

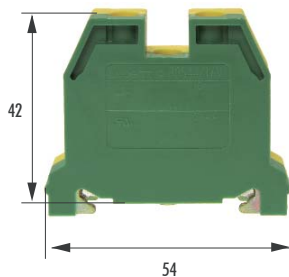


PA 66



16

13



- Metal body and clamping unit of nickel-plated brass
- Screws, springs and earthing part of stainless steel
- 4-figure marking on both sides
- Ex terminals also available (see Ex flyer)

Article numbers

Ratings UL 467 Short-Time Current Test	6-16 mm ²	14-4 AWG AWG4, 2450A during 6s.
For terminals for polar conductor green/yellow	3452/16	
	30544/16V	

Technical data

Connecting capacity	mm	7.5 x 6.5
Clamping screws		M5
Central thread		M4
Strip insulation	mm	13
Clamping couple for electric screw-driver	Nm	2.1
Packing unit	pcs	25

Accessories see pages 1.1.71 to 1.1.107

Marking accessories		3957/.	8 labels
		3958/.	8 labels
		RB/6x12	2 labels

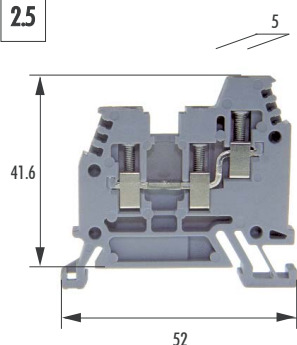


PA 66

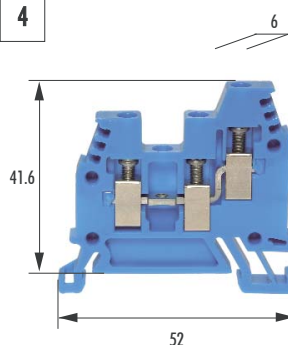


- Clamping unit of nickel-plated brass
- Connecting bar of nickel-plated copper alloy
- Screws of stainless steel
- For insulated, recessed and separable cross-connections
- Marking facilities on both sides
- Ex terminals also available (see Ex flyer)

2.5



4



Article numbers

Ratings	0.5-2.5 mm ² 800V/24A	18-14 AWG 600V/15A	0.5-4 mm ² 800V/32A	18-12 AWG 600V/20A	
grey	30903GR		30904GR		
blue	30903BL		30904BL		



Technical data

Connecting capacity	mm	2.5 x 3.2	3.2 x 4.6	
Clamping screws		M2.5	M3	
Central thread		M2.5	M3	
Strip insulation	mm	9	9	
Clamping couple for electric screw-driver	Nm	0.5	0.7	
Packing unit	pcs	50	50	



Accessories see pages 1.1.71 to 1.1.107

Test adaptors		80247 80248		80070 2737	
Marking accessories		RBE5 RB/5x9	6 labels 2 labels	3957/. 3958/. RB/6x9	6 labels 6 labels 2 labels
End barriers		30913		30913	
Stoppers		3418		3418	
Insulated cross-connections for 2, 3, 4, 5 or 10 terminals		81505/2 81505/3 81505/4 81505/5 81505/10		81506/2 81506/3 81506/4 81506/5 81506/10	
Connecting pins		81505		81506	
Links		30408		81410L	
Cross-junction racks		30790		30791	
Terminal covers for 4, 5, 6, 7 or 8 terminals		81401/4 81401/5 81401/6 81401/7 81401/8		3886/4 3886/5 3886/6 3886/7 3886/8	
Fastening screws		08569		17402 / 01068	
Sealing eyelets		81440		81440	
Covers to cross-connectors		30421		30422	

X-terminals

2.5 mm²



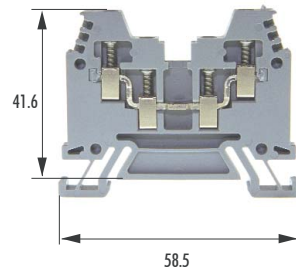
PA 66



- Clamping unit of nickel-plated brass
- Connecting bar of nickel-plated copper alloy
- Screws of stainless steel
- For insulated, recessed and separable cross-connections
- Marking facilities on both sides
- Ex terminals also available (see Ex flyer)

2.5

5



Article numbers

Ratings	0.5-2.5 mm ² 800V/24A	18-14 AWG 600V/15A
grey	30973GR	
blue	30973BL	



Technical data

Connecting capacity	mm	2.5 x 3.2
Clamping screws		M2.5
Central thread		M2.5
Strip insulation	mm	9
Clamping couple for electric screw-driver	Nm	0.5
Packing unit	pcs	50



Accessories see pages 1.1.71 to 1.1.107

Test adaptors		80247 80248	
Marking accessories		RBE5 RB/5x9	6 labels 2 labels
End barriers		30983	
Stoppers		3418	
Insulated cross-connections for 2, 3, 4, 5 or 10 terminals		81505/2 81505/3 81505/4 81505/5 81505/10	
Connecting pins		81505	
Links		30408	
Cross-connection racks		30790	
Terminal covers for 4, 5, 6, 7 or 8 terminals		81401/4 81401/5 81401/6 81401/7 81401/8	
Fastening screws		08569	
Sealing eyelets		81440	
Covers to cross-connectors		30421	

Return-terminal with two connections on the same side

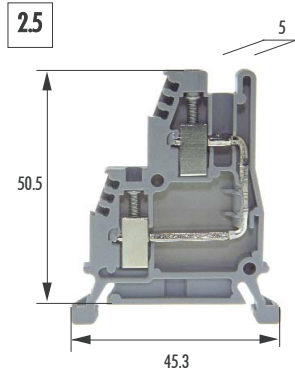
2.5 mm²



PA 66



- Clamping unit of nickel-plated brass
- Connecting bar of nickel-plated copper alloy
- Screws of stainless steel
- For insulated, recessed and separable cross-connections
- Marking facilities on one side



Article numbers

Ratings	0.5-2.5 mm ² 500V/24A	18-14 AWG 300V/15A
grey	30810	

Technical data

Connecting capacity	mm	2.4 x 4
Clamping screws		M2.5
Thread of cross-junction		M2.5
Strip insulation	mm	10
Clamping couple for electric screw-driver	Nm	0.6
Packing unit	pcs	100

Accessories see pages 1.1.71 to 1.1.107

Test adaptors		80247 80248
Marking accessories		RBE5 6 labels RB/5x9 2 labels
End barriers		30811
Insulated cross-connections for 2, 3, 4, 5 or 10 terminals		81525/2 81525/3 81525/4 81525/5 81525/10
Connecting pins		81525

Two-step terminals

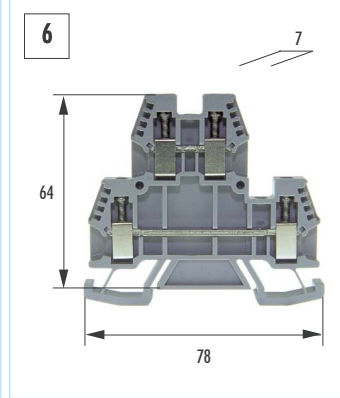
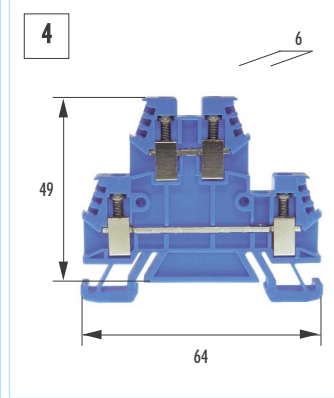
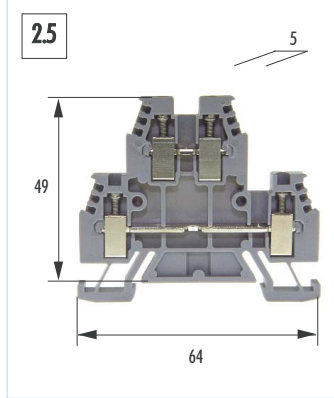
2.5-6 mm²



PA 66



- Clamping unit of nickel-plated brass
- Connecting bar of nickel-plated copper alloy
- Screws of stainless steel
- For insulated, recessed and separable cross-connections
- Marking facilities on both sides
- Ex terminals also available (see Ex flyer)



Article numbers

Ratings	0.5-2.5 mm ² 500V/24A	22-14 AWG 300V/15A	0.5-4 mm ² 500V/20A	22-12 AWG 300V/20A	0.5-6 mm ² 500V/25A	18-8 AWG 300V/50A
grey grey, top level with blue marking	30860GR		3430GR		3410GR	
blue	30860BL		3430GRBL		3410BL	
orange			3430BL			
green/yellow (insulated earthing conductor)			3430OR			
			3430E			



Technical data

Connecting capacity	mm	2.3 x 3.7	3.2 x 5	3.8 x 5.7
Clamping screws		M2.5	M3	M3
Thread of cross-junction		M2.5	M3	M3
Strip insulation	mm	10	10	9
Clamping couple for electric screw-driver	Nm	0.6	0.7	0.7
Packing unit	pcs	50	50	50



Accessories see pages 1.1.71 to 1.1.107

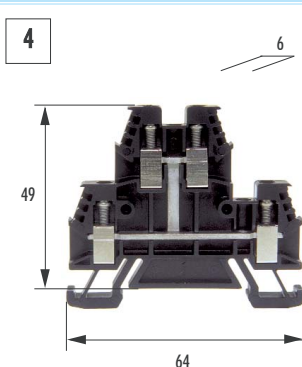
Test adaptors		80247 80248		80070 2737 80222/6		80070 2737	
Marking accessories		RB5 RB/5x9	12 labels 4 labels	3957/. 3958/. RB/6x9	12 labels 12 labels 4 labels	3957/. 3958/. RB/6x12	16 labels 16 labels 4 labels
End barriers		3431		3431		3411	
Partitions		3432		3432		3412	
Push-in barriers		80254		80254		/	
Stop pieces		30199		30199		30199	
Insulated cross-connections for 2, 3, 4, 5 or 10 terminals		81525/2 81525/3 81525/4 81525/5 81525/10		81526/2 81526/3 81526/4 81526/5 81526/10		81507/2 81507/3 81507/4 81507/5 81507/10	
Connecting pins		81525		81526		81506	
Links		30408		30441		81452L	
Cross-junction racks		30790		30791		/	
Terminal covers for 4, 5, 6, 7 or 8 terminals		81401/4 81401/5 81401/6 81401/7 81401/8		3894/4 3894/5 3894/6 3894/7 3894/8		3826/4 3826/5 3826/6 3826/7 3826/8	
Fastening screws		08569		01062		17402 / 01068	
Sealing eyelets		81440		81440		81440	
Sealing screws		/		3512		3512	
Covers to cross-connectors		30421		30421		/	



PA 66



- Clamping unit of nickel-plated brass
- Connecting bar of nickel-plated copper alloy
- Screws of stainless steel
- For insulated, recessed and separable cross-connections
- Marking facilities on both sides
- Top and bottom bars are connected: the 4 connecting points at the same potential
- Ex terminals also available (see Ex flyer)



Article numbers

Ratings	0.5-4 mm ² 500V/20A	18-12 AWG 300V/20A		
black	3430/1P			
blue	3430/1PBL			



Technical data

Connecting capacity	mm	3.2 x 5		
Clamping screws		M3		
Thread of cross-junction		M3		
Strip insulation	mm	10		
Clamping couple for electric screw-driver	Nm	0.7		
Packing unit	pcs	50		



Accessories see pages 1.1.71 to 1.1.107

Test adaptors		80070 2737 80222/6		
Marking accessories		3957/. 3958/. RB/6x9	12 labels 12 labels 4 labels	
End barriers		3431		
Partitions		3432		
Push-in barriers		80254		
Stop pieces		30199		
Insulated cross-connections for 2, 3, 4, 5 or 10 terminals		81526/2 81526/3 81526/4 81526/5 81526/10		
Connecting pins		81526		
Links		30441		
Cross-junction racks		30791		
Terminal covers for 4, 5, 6, 7 or 8 terminals		3894/4 3894/5 3894/6 3894/7 3894/8		
Fastening screws		01062		
Sealing eyelets		81440		
Sealing screws		3512		
Covers to cross-connections		30421		

Two-step earthing terminals

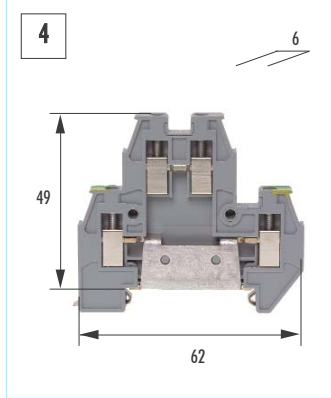
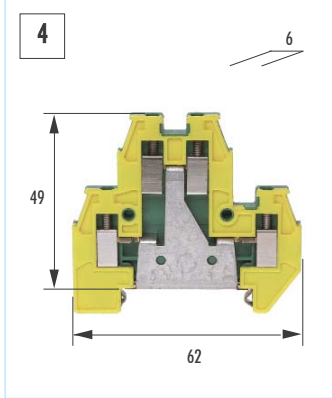
4 mm²



PA 66



- Metal body, clamping unit and connecting bar of nickel-plated brass
- Screws, springs and earthing part of stainless steel
- Marking facilities on both sides



* only for 3430/4GRV



Article numbers

Ratings	0.5-4 mm ² 18-12 AWG	0.5-4 mm ² 18-12 AWG 500V/32A 300V/20A	
For terminals for polar conductor	30860/3430 with 4 earthing connections	30860/3430 with 2 polar and 2 earthing connections	
green/yellow (PE)	3430/4V	3430/4GRV	
grey with green/yellow marking (LPE)			



Technical data

Connecting capacity	mm	3.2 x 5	3.2 x 5
Clamping screws		M3	M3
Strip insulation	mm	7	7
Clamping couple for electric screw-driver	Nm	0.7	0.7
Packing unit	pcs	50	50



Accessories see pages 1.1.71 to 1.1.107

Marking accessories		3957/. 12 labels 3958/. 12 labels RB/6x9 4 labels	3957/. 12 labels 3958/. 12 labels RB/6x9 4 labels
End barriers			3431
Partitions			3432
Push-in barriers			80254
Stop pieces			30199

Three-step installation terminals

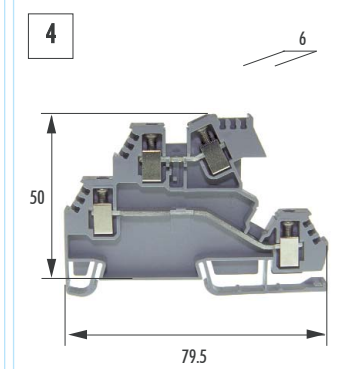
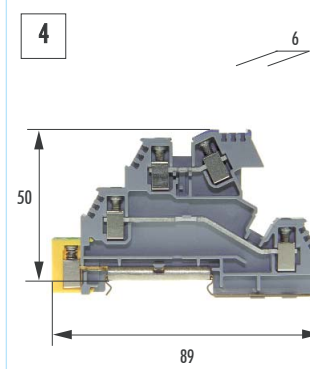
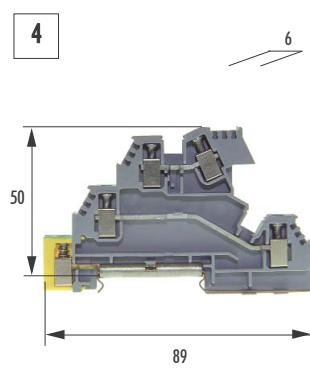
4 mm², without detachable neutral connector



PA 66



- Clamping unit of nickel-plated brass
- Connecting bars of nickel-plated copper alloy
- Screws and earthing part of stainless steel
- For insulated, recessed and separable cross-connections
- Marking facilities on both sides
- 30431/. earthing conductor connected to rail, 30432 two-step terminal without connection for earthing conductor



Article numbers

Ratings	0.5-4 mm ² 400V/34A	24-12 AWG 300V/20A	0.5-4 mm ² 400V/34A	24-12 AWG 300V/20A	0.5-4 mm ² 400V/34A	24-12 AWG 300V/20A
	PE L N, with blue front		PE L L		L L, with plastic base	
grey	30431/1		30431/2		30432	



Technical data

Connecting capacity	mm	3.1 x 3.4	3.1 x 3.4	3.1 x 3.4
Clamping screws		M3	M3	M3
Thread of cross-junction		M2.5	M2.5	M2.5
Strip insulation	mm	8.5	8.5	8.5
Clamping couple for electric screw-driver	Nm	0.7	0.7	0.7
Packing unit	pcs	50	50	50



Accessories see pages 1.1.71 to 1.1.107

Test adaptors		80247 80248		80247 80248		80247 80248	
Marking accessories		3957/. 3958/. RB/6x9	12 labels 12 labels 4 labels	3957/. 3958/. RB/6x9	12 labels 12 labels 4 labels	3957/. 3958/. RB/6x9	12 labels 12 labels 4 labels
End barriers		30438		30438		30438	
Stoppers		3418		3418		3418	
Insulated cross-connections for 2, 3, 4, 5 or 10 terminals		81536/2 81536/3 81536/4 81536/5 81536/10		81536/2 81536/3 81536/4 81536/5 81536/10		81536/2 81536/3 81536/4 81536/5 81536/10	
Connecting pins		81536		81536		81536	
Links		30441		30441		30441	

Three-step installation terminal

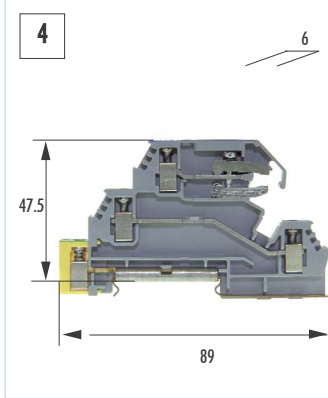
4 mm², with detachable neutral connector



PA 66



- Clamping unit of nickel-plated brass
- Connecting bars of nickel-plated copper alloy
- Screws and earthing part of stainless steel
- For insulated, recessed and separable cross-connections
- Marking facilities on both sides
- earthing conductor connected to rail



Article numbers

Ratings	0.5-4 mm ² 400V/34A	24-12 AWG 300V/20A
	PE L N, with blue front	
grey	30430	



Technical data

Connecting capacity	mm	3.1 x 3.4
Clamping screws		M3
Thread of cross-junction		M2.5
Strip insulation	mm	8.5
Clamping couple for electric screw-driver	Nm	0.7
Packing unit	pcs	50



Accessories see pages 1.1.71 to 1.1.107

Test adaptors		80247 80248	
Marking accessories		3957/. 3958/. RB/6x9	9 labels 9 labels 3 labels
End barriers		30439	
Stoppers		3418	
Insulated cross-connections for 2, 3, 4, 5 or 10 terminals		81536/2 81536/3 81536/4 81536/5 81536/10	
Connecting pins		81536	
Links		30441	
Busbars of tinned electrolytic copper length 1 m			
10 x 2 mm		3859	
10 x 3 mm		3856	

Three-step terminal for proximity switches

2.5 mm²



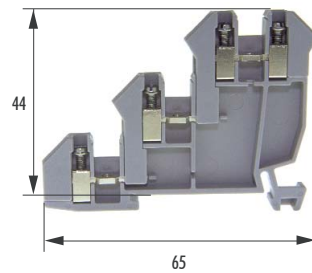
PA 66



- Clamping unit of nickel-plated brass
- Connecting bars of nickel-plated copper alloy
- Screws of stainless steel
- 4-figure marking

2.5

5.08



Article numbers

Ratings	0-2.5 mm ² 250V/16A	26-14 AWG 300V/10A
grey	30400	



Technical data

Connecting capacity	mm	2.4 x 3
Clamping screws		M2.5
Thread of cross-junction		M2.5
Strip insulation	mm	7
Clamping couple for electric screw-driver	Nm	0.5
Packing unit	pcs	100

Technical information

This three-step terminal for proximity switches which can be clipped on to mounting rail is only 5.08 mm wide and enables thus compact junction blocks to be realized. Both lower levels are intended for the positive and negative conductors of a proximity switch; they are connected to the power supply by means of cross-connection links.



Accessories see pages 1.1.71 to 1.1.107

Test adaptors		80247 80248	
Marking accessories		RB/5x5	4 labels
End barriers		30406	
Stoppers		3418	
Insulated cross-connections for 2, 3, 4, 5 or 10 terminals		81535/2 81535/3 81535/4 81535/5 81535/10	
Connecting pins		81535	
Links		30408	
Cross-junction racks		30413RO 30413BL 30414RO 30414BL	
20-part, red			
20-part, blue			
22-part, red			
22-part, blue			

Three-step terminal for proximity switches

2.5 mm² - feed terminal



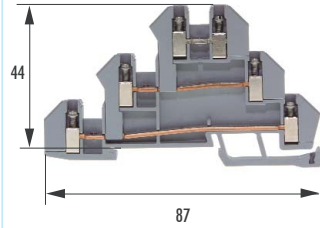
PA 66



- Clamping unit of nickel-plated brass
- Connecting bars of nickel-plated copper alloy
- Screws of stainless steel
- 6-figure marking

2.5

5.08



Article numbers

Ratings	0-2.5 mm ² 380V/16A	26-14 AWG 300V/10A
---------	-----------------------------------	-----------------------

grey **30403**



Technical data

Connecting capacity	mm	2.4 x 3
Clamping screws		M2.5
Thread of cross-junction		M2.5
Strip insulation	mm	7
Clamping couple for electric screw-driver	Nm	0.5
Packing unit	pcs	50

Technical information

This special terminal is used for feeding a set of terminals for proximity switches. It is meant for receiving the feed line on the one hand and the cross-links to the terminals for proximity switches on the other hand.



Accessories see pages 1.1.71 to 1.1.107

Test adaptors		80247 80248	
Marking accessories		RB/5x5	6 labels
End barriers		30407	
Stoppers		3418	
Insulated cross-connections for 2, 3, 4, 5 or 10 terminals		81535/2 81535/3 81535/4 81535/5 81535/10	
Connecting pins		81535	
Links		30408	
Cross-junction racks		30413RO 30413BL 30414RO 30414BL	

Detachable neutral connectors/Neutral disconnecting terminals

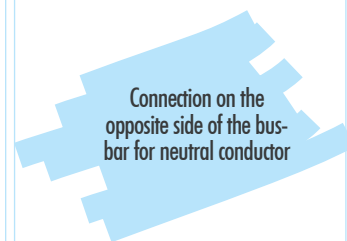
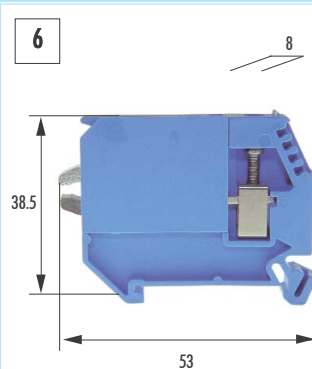
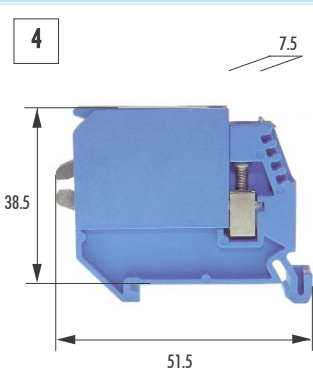
20 and 25 A, 4+6 mm², for terminals type 30150



PA 66



- Clamping parts of nickel-plated brass
- Screws of corrosion-resistant steel
- With protective cover which indicates the state of the connection
- 4-figure marking on one side
- The busbar to which the clamping jaws fold back is at the same height in case of 4 and 6 mm² terminals



Article numbers

Ratings	0.5-4 mm ² 750V/20A		0.5-6 mm ² 750V/25A		
pale blue	30290		30291		



Technical data

Connecting capacity	mm	3.1 x 4	3.6 x 5
Clamping screws		M3	M3
Strip insulation	mm	11	14
Clamping couple for electric screw-driver	Nm	0.8	0.8
Packing unit	pcs	25	25



Accessories see pages 1.1.71 to 1.1.107

Marking accessories		3957/. 3958/. RB/6x12	4 labels 4 labels 1 label	3957/. 3958/. RB/6x12	4 labels 4 labels 1 label
Partitions		30296		30297	
Stoppers		3418		3418	
Stop pieces		30199		30199	
Terminals to busbar for neutral conductors					
for copper conductors 10-16mm ² rigid		3838		3838	
for copper conductors 25-35mm ² flexible		3839		3839	
Busbars for neutral conductors of tinned electrolytic copper length 1 m					
10 x 2 mm		3859		3859	
10 x 3 mm		3856		3856	
Covers to busbars for neutral conductors		81445		81445	
Cover clips		81446		81446	

Earthing, subdivision of the PEN conductor: see page 1.1.9

Disconnecting terminals for plugs

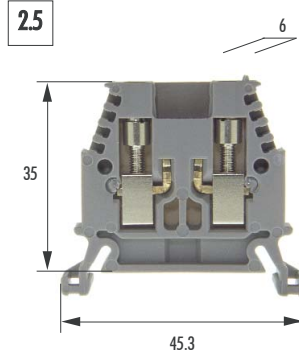
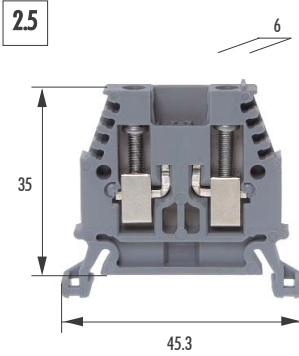
2.5 mm², for terminals type 30150



PA 66



- Clamping parts of nickel-plated brass
- Slotted screws of stainless steel
- Screws and sockets of silver-plated brass
- 4-figure marking on both sides
- designed for disconnecting plug, fuse plug, diode plug
- Plugs have to be ordered separately



Article numbers

Ratings	0.5-2.5 mm ² 800V/24A with 2 slotted screws	18-14 AWG 600V/20A	0.5-2.5 mm ² 800V/24A with 2 screws and sockets Inside diameter 2.3 mm	18-14 AWG 600V/20A
grey	30800		30800P	



Technical data

Connecting capacity	mm	3.1 x 3.2	3.1 x 3.2
Clamping screws		M3	M3
Strip insulation	mm	9	9
Clamping couple for electric screw-driver	Nm	0.6	0.6
Packing unit	pcs	50	50



Accessories see pages 1.1.71 to 1.1.107

Test adaptors (only for disconnecting plug 3821)		/		3772	
Marking accessories		3957/. 3958/. RB/6x12	8 labels 8 labels 2 labels	3957/. 3958/. RB/6x12	8 labels 8 labels 2 labels
End barriers		3460		3460	
Partitions		3461		3461	
Stoppers		3418		3418	
Stoppers		30370		30370	
Stop pieces		30199		30199	
Disconnecting plugs		3821		3821	
Fuse plugs					
- without indicator		30134			
- with LED 24V		30134/24			
- with LED 230V		30134/230			
Diode plug		30133			
Diode plug		30205			
Empty component plug		30132			

Two-step terminals with disconnecting function

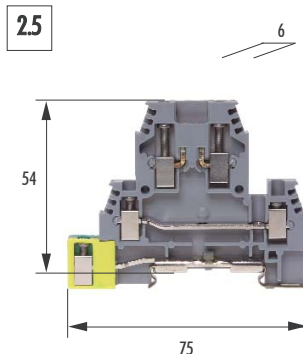
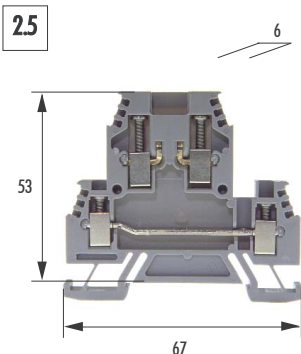
for plugs and cross-connections, 2.5 mm², for terminals type 30150



PA 66



- Clamping part and connecting bar of nickel-plated brass
- Screws and earthing part of stainless steel
- 2x3-figure marking on both sides
- designed for disconnecting plug, fuse plug, diode plug and for cross-connections
- Plugs and cross-connections have to be ordered separately



Never handle the plugs when live!



Article numbers

Ratings	0.5-2.5 mm ² 500V/24A	18-14 AWG 300V/20A	0.5-2.5 mm ² 500V/24A	18-14 AWG 300V/20A
	without ground connection		with ground connection	
grey	30890		30891	



Technical data

Connecting capacity	mm	3.8 x 3.1	3.8 x 3.1
Clamping screws		M3	M3
Thread of cross-junction		M3	M3
Strip insulation	mm	8	8
Clamping couple for electric screw-driver	Nm	0.6	0.6
Packing unit	pcs	50	50

Technical information

Upper level with disconnecting function and lower level for cross-connections



Accessories see pages 1.1.71 to 1.1.107

Test adaptors		80070	80070
(only for lower level)		2737	2737
Marking accessories		3957/.	3957/.
		12 labels	12 labels
		3958/.	3958/.
		12 labels	12 labels
		RB/6x9	RB/6x9
		4 labels	4 labels
End barriers		30892	30892
Partitions		30893	30893
Stoppers		3418	3418
Stoppers		30370	30370
Stop pieces		30199	30199
Insulated cross-connections for 2, 3, 4, 5 or 10 terminals		81526/2	81526/2
		81526/3	81526/3
		81526/4	81526/4
		81526/5	81526/5
		81526/10	81526/10
Connecting pins		81526	81526
Links		30441	30441
Cross-junction racks		30791	30791
Disconnecting plugs		3821	3821
Fuse plugs			
- without indicator		30134	30134
- with LED 24V		30134/24	30134/24
- without LED 230V		30134/230	30134/230
Diode plug		30133	30133
Diode plug		30205	30205
Empty component plug		30132	30132

Enclosed miniature fuse terminals

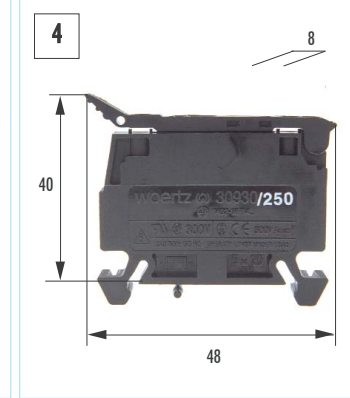
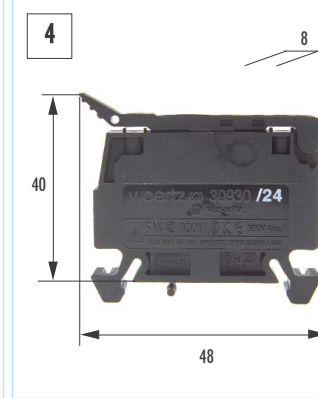
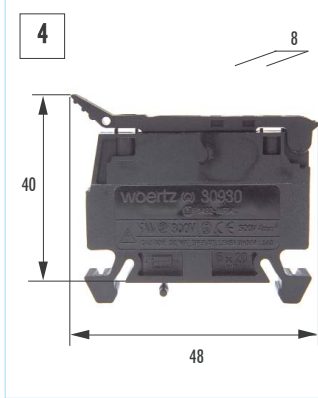
4 mm², for fuses 5 x 20 mm



PA 66



- Clamping part and connecting bar of nickel-plated brass
- Screws and springs of stainless steel
- Fuse-holders may be locked in open position
- An easy breakable peg at the bottom part enables two fuse-holders to be joined together
- Delivered without fuse
- Never handle the fuse-holder when live!
- With LED to indicate damaged fuse



Article numbers

Ratings	0.5-4 mm ² 500V/6.3A	22-12 AWG 300V/10A without indicator	0.5-4 mm ² 500V/6.3A	22-12 AWG 300V/10A with indicator LED 24V for fuse 24V in fuse-holder	0.5-4 mm ² 500V/6.3A	22-12 AWG 300V/10A with indicator LED 230V for fuse 250V in fuse-holder
black	30930		30930/24		30930/250	



Technical data

Connecting capacity	mm	3.1 x 4.2	3.1 x 4.2	3.1 x 4.2
Clamping screws		M3	M3	M3
Max. nominal current (fuse)	A	6.3	6.3	6.3
Operating voltage	V	/	10-57 V AC/DC	85-264 V AC
Strip insulation	mm	8	8	8
Clamping couple for electric screw-driver	Nm	0.6	0.6	0.6
Packing unit	pcs	50	50	50



Accessories see pages 1.1.71 to 1.1.107

Marking accessories on narrow side		3957/. 3958/. RB/8x12	4 labels 4 labels 1 label	3957/. 3958/. RB/8x12	4 labels 4 labels 1 label	3957/. 3958/. RB/8x12	4 labels 4 labels 1 label
on fuse-holder		RB/6x9	1 label	RB/6x9	1 label	RB/6x9	1 label
Partitions		30321		30321		30321	
Stoppers		3418		3418		3418	
Stop pieces		30199		30199		30199	
Cross-junction racks insulated		30798		30798		30798	

Technical information

In a single fuse terminal, a heavier load is possible than in a bloc of several fuse terminals strung together that heat each other up. This source of heat has to be taken into account when planning.

Fuse terminals, one side open

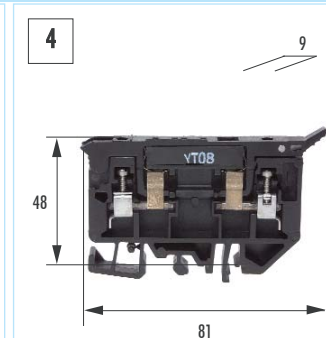
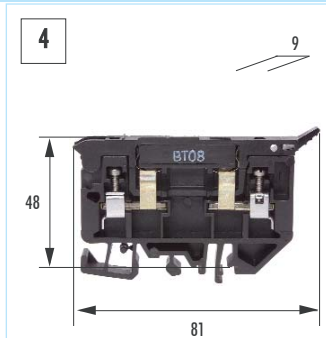
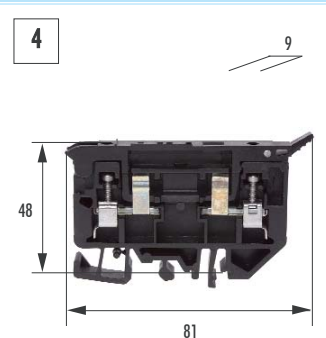
4 mm², for fuses 1/4" x 1 1/4" (6.3 x 32 mm)



PA 66



- Clamping parts, screws and springs of stainless steel
- Fuse-holders may be locked in open position
- An easy breakable peg at the bottom part enables two fuse-holders to be joined together
- The fuse-holder should only be handled when the open side is protected
- Delivered without fuse
- Never handle the fuse-holder when live!
- With LED to indicate damaged fuse



Article numbers

Ratings	0.5-4 mm ² 500V/10A without indicator	22-12 AWG 300V/12A	0.5-4 mm ² 500V/10A with indicator LED 24V for fuse 24V in fuse-holder	22-12 AWG 300V/12A	0.5-4 mm ² 500V/10A with indicator LED 230V for fuse 250V in fuse-holder	22-12 AWG 300V/12A
black	30935		30935/24		30935/250	



Technical data

Connecting capacity	mm	3.1 x 3.6	3.1 x 3.6	3.1 x 3.6
Clamping screws		M3	M3	M3
Max. nominal current (fuse)	A	12	12	12
Operating voltage	V	/	10-57 V AC/DC	85-264 V AC
Strip insulation	mm	10	10	10
Clamping couple for electric screw-driver	Nm	0.8	0.8	0.8
Packing unit	pcs	50	50	50



Accessories see pages 1.1.71 to 1.1.107

Marking accessories on fuse-holder		RB/8x9	2 labels	RB/8x9	2 labels	RB/8x9	2 labels
End barriers		30945		30945		30945	
Stoppers		3418		3418		3418	
Cross-junction racks bare		30790/9		30790/9		30790/9	
Insulation for cross-junction racks		30790/9IS		30790/9IS		30790/9IS	

Technical information

In a single fuse terminal, a heavier load is possible than in a bloc of several fuse terminals strung together that heat each other up. This source of heat has to be taken into account when planning.

Enclosed fuse terminals

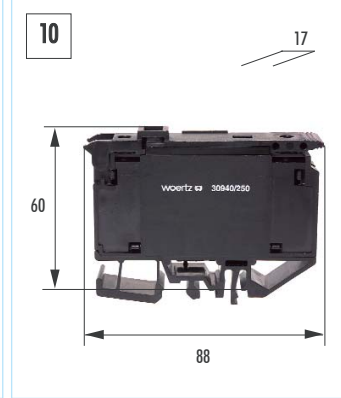
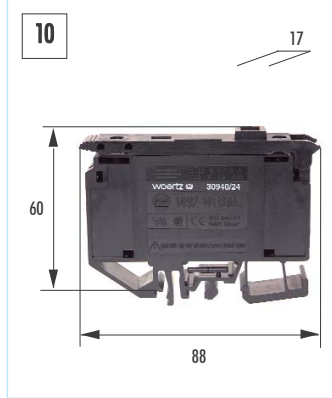
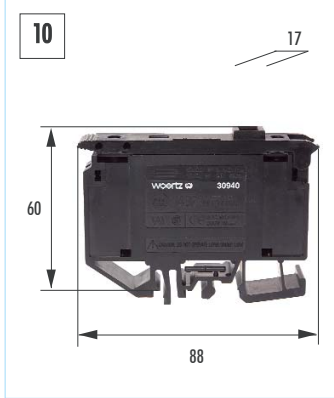
10 mm², for fuses 13/32" x 1 1/2" (10.3 x 38 mm)



PA 66



- Clamping parts, screws and springs of stainless steel
- Fuse-holders may be locked in open position
- An easy breakable peg at the bottom part enables two fuse-holders to be joined together
- Delivered without fuse
- Never handle the fuse-holder when live!
- With LED to indicate damaged fuse



Article numbers

Ratings	0.5-10 mm ² 18-8 AWG 600V/30A without indicator	0.5-10 mm ² 18-8 AWG 600V/30A with indicator LED 24V for fuse 24V in fuse-holder	0.5-10 mm ² 18-8 AWG 600V/30A with indicator LED 230V for fuse in fuse-holder
black	30940	30940/24	30940/250



Technical data

Connecting capacity	mm	6.7 x 6.2	6.7 x 6.2	6.7 x 6.2
Clamping screws		M5	M5	M5
Max. nominal current (fuse)	A	30	30	30
Operating voltage	V	/	10-57 V AC/DC	100-300 V AC
Strip insulation	mm	13	13	13
Clamping couple for electric screw-driver	Nm	2.2	2.2	2.2
Packing unit	pcs	10	10	10



Accessories see pages 1.1.71 to 1.1.107

Marking accessories on fuse-holder		adhesive labels	adhesive labels	adhesive labels
Stoppers		3418	3418	3418
Stop pieces		30199	30199	30199
Cross-junction racks, insulated		30790/17	30790/17	30790/17

Technical information

In a single fuse terminal, a heavier load is possible than in a bloc of several fuse terminals strung together that heat each other up. This source of heat has to be taken into account when planning.

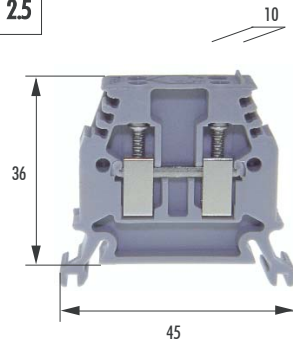


PA 66



- Twin terminal, grey
- 4 clamping parts of nickel-plated brass
- 2 connecting bars made of the same metal as the thermocouple
- Screws of stainless steel
- Marking facilities on both sides

2.5



Article numbers

Ratings	0.2-2.5 mm ²	28-14 AWG
Nickel chrome/Constantan NiCr/CuNi	30880E	
Iron/Constantan Fe/CuNi	30880J	
Nickel chrome/Nickel NiCr/Ni	30880K	
Copper/constantan Cu/CuNi	30880T	



Technical data

Connecting capacity	mm	2.4 x 4.7
Clamping screws		M2.5
Strip insulation	mm	10
Clamping couple for electric screw-driver	Nm	0.6
Packing unit	pcs	50



Accessories see pages 1.1.71 to 1.1.107

Marking accessories		RB/5x9	4 labels
End barriers		3460	
Partitions		3461	

Technical information

In shunt circuits with thermocouples, the cables and the terminals have to be made of materials with the same electric strength as the thermocouples.

The two connecting bars of these terminals therefore have to be made of the same materials as the thermocouples.

Our thermocouple terminals are in accordance with these requirements, and the character following the article number indicates the type.

Terminals for stringent demands

2.5-6 mm²

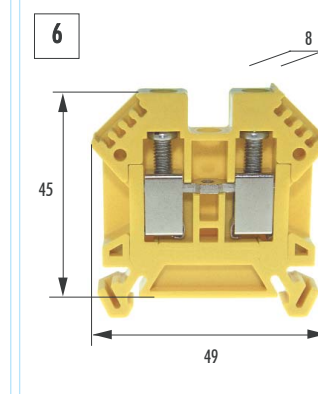
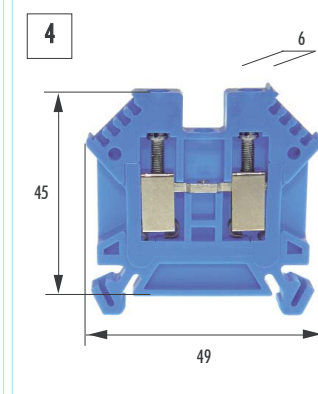
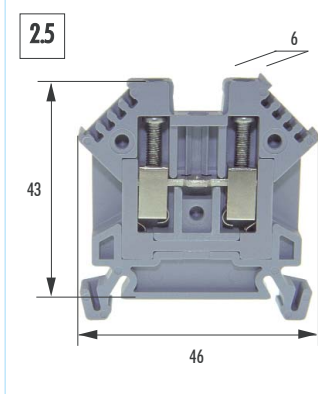
CE EN 60947-7-1



PA 66



- Clamping parts of nickel-plated brass
- Connecting bar of nickel-plated copper alloy
- Screws and springs of stainless steel
- with additional springs for protection against working loose (see picture)
- For insulated, recessed and separable cross-connections
- 4-figure marking on both sides
- Earthing terminals with connection to mounting rail: see pages 1.1.41-1.1.44
- Ex terminals also available (see Ex flyer)



Article numbers

Ratings	0.5-2.5 mm ² 1000V/24A	22-12 AWG 600V/20A	0.5-4 mm ² 1000V/32A	18-12 AWG 600V/20A	0.5-6 mm ² 1000V/41A	18-8 AWG 600V/50A
grey	30128GR		3424GR		3425GR	
blue	30128BL		3424BL		3425BL	
green/yellow (Insulated earthing conductor)	30128E		3424E		3425E	

Technical data

	mm	3.2 x 4.2	3.4 x 6	4.5 x 6	additional spring
Connecting capacity					
Clamping screws		M3	M3	M4	
Central thread		M3	M3	M3	
Strip insulation	mm	10	10	11	
Clamping couple for electric screw-driver	Nm	0.7	0.7	1.5	
Packing unit	pcs	50	50	50	



Accessories see pages 1.1.71 to 1.1.107

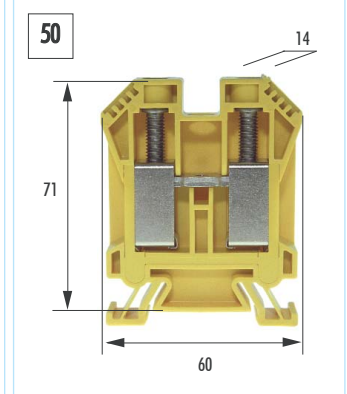
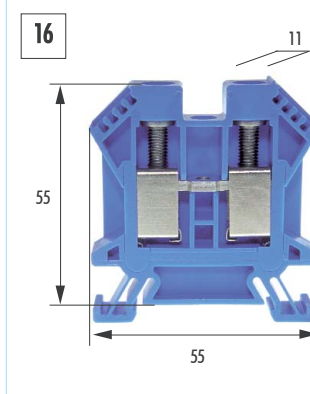
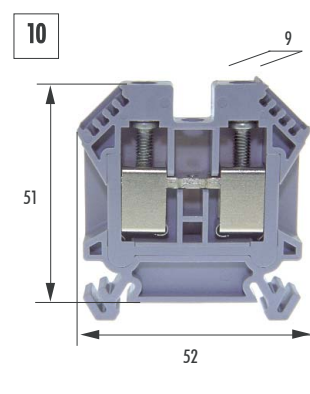
Test adaptors		80070 2737		80070 2737		80070 2737	
Marking accessories		3957/. 3958/. RB/6x12	8 labels 8 labels 2 labels	3957/. 3958/. RB/6x12	8 labels 8 labels 2 labels	3957/. 3958/. RB/6x12	8 labels 8 labels 2 labels
End barriers		30112		3516		3516	
Partitions		3506		3506		3506	
Push-in barriers		80255		80255		80255	
Stoppers		3418		3418		3418	
Stoppers		30370		30370		30370	
Stop pieces		30199		30199		30199	
Insulated cross-connections for 2, 3, 4, 5 or 10 terminals		81546/2 81546/3 81546/4 81546/5 81546/10		81556/2 81556/3 81556/4 81556/5 81556/10		81548/2 81548/3 81548/4 81548/5 81548/10	
Connecting pins		81546		81556		81548	
Links		81410L		81410L		81412L	
Cross-junction racks		30790		30791		30792	
Terminal covers for 4, 5, 6, 7 or 8 terminals		81427 81428 81429 81430 81431		3886/4 3886/5 3886/6 3886/7 3886/8		3887/4 3887/5 3887/6 3887/7 3887/8	
Fastening screws		17402		01068		01068	
Sealing eyelets		81440		81440		81440	
Sealing screws		/		3512		3512	
Covers to cross-connectors		30422		30422		30422	



PA 66



- Clamping parts of nickel-plated brass
- Connecting bar of nickel-plated copper alloy
- Screws and springs of stainless steel
- with additional springs for protection against working loose (see picture)
- For insulated, recessed and separable cross-connections
- 4-figure marking on both sides
- Earthing terminals with connection to mounting rail: see pages 1.1.41-1.1.44
- Ex terminals also available (see Ex flyer)



Article numbers

Ratings	1-10 mm ² 1000V/57A	18-6 AWG 600V/63A	15-16 mm ² 1000V/76A	14-4 AWG 600V/70A	2.5-50 mm ² 1000V/125A	14-1/0 AWG 600V/125A
grey	3426GR		3427GR		3428GR	
blue	3426BL		3427BL		3428BL	
green/yellow (Insulated earthing conductor)	3426E		3427E		3428E	



Technical data

	mm	5.8 x 7.5	7.3 x 8.6	9.6 x 14.6
Connecting capacity	mm	5.8 x 7.5	7.3 x 8.6	9.6 x 14.6
Clamping screws		M4	M5	M6
Central thread		M3	M4	M4
Strip insulation	mm	13	13	17
Clamping couple for electric screw-driver	Nm	1.5	2.5	2.5
Packing unit	pcs	25	25	20



Accessories see pages 1.1.71 to 1.1.107

Test adaptors		80070 2737		80071		80071	
Marking accessories		3957/. 3958/. RB/6x12	8 labels 8 labels 2 labels	3957/. 3958/. RB/6x12	8 labels 8 labels 2 labels	3957/. 3958/. RB/6x12	8 labels 8 labels 2 labels
End barriers		3517		3518		3519	
Partitions		3507		3508		3509	
Stoppers		3418		3418		3418	
Stoppers		30370		30370		30370	
Stop pieces		30199		30199		30199	
Insulated cross-connections for 2, 3, 4, 5 or 10 terminals		81549/2 81549/3 81549/4 81549/5 81549/10		81501/2 81501/3 81501/4 81501/5 81501/10		81504/2 81504/3 81504/4 81504/5 81504/10	
Connecting pins		81549		81501		81504	
Links		81413L		81414L		81415L	
Terminal covers for 4, 5, 6, 7 or 8 terminals		3867/4 3867/5 3867/6 3867/7 3867/8		3868/4 3868/5 3868/6 3868/7 3868/8		3869/4 3869/5 3869/6 3869/7 3869/8	
Fastening screws		01068		01162		01165	
Sealing eyelets		81440		81441		81441	
Sealing screws		3512		/		/	
Covers to cross-connectors		30422		/		/	

Terminals for stringent demands

70 mm², enclosed

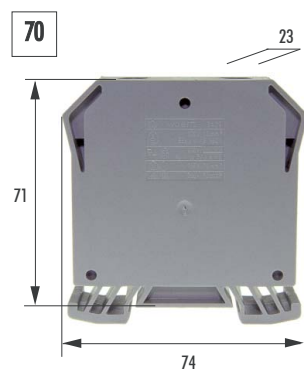
CE EN 60947-7-1



PA 66



- Clamping screws and springs for protection against working loose
- Rectangular profile of nickel-plated brass with 2 pressure parts
- Pressure parts, sprung captive Allen screws and springs of stainless steel
- 4-figure marking on both sides
- Ex terminals also available (see Ex flyer)



With through brass profile and 2 pressure parts



Article numbers

Ratings

4-70 mm²

4-3/0 AWG
600V/200A

* 1000V/192A for overvoltage class III
830V/192A for overvoltage class IV

grey
blue

3429GR
3429BL



Technical data

Connecting capacity	mm	14.5 x 14.5
Clamping screws		M8 Allen / key size 6
Strip insulation	mm	26
Clamping couple for electric screw-driver	Nm	15.0
Packing unit	pcs	10



Accessories see pages 1.1.71 to 1.1.107

Marking accessories		3957/	8 labels
		3958/	8 labels
		RB/6x12	2 labels
Stoppers		3418	
Stoppers		30370	
Stop pieces		30199	

Enclosed earthing terminals for stringent demands

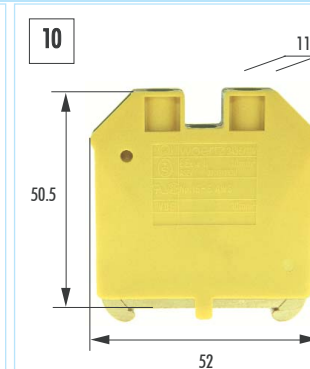
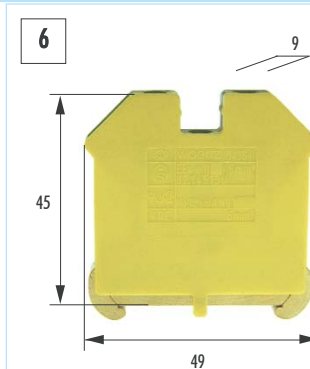
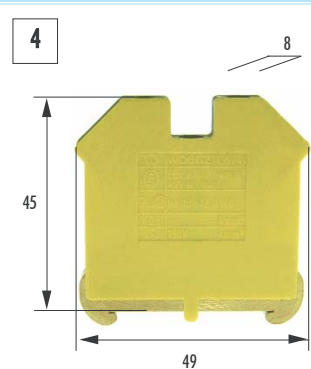
4-10 mm², for terminals type 30128



PA 66



- Terminal and pressure part of brass
- Screws and springs of stainless steel
- 4-figure marking on both sides
- The connection between mounting rail and terminal as well as the connected conductors are protected against working loose
- Ex terminals also available (see Ex flyer)



Article numbers

Ratings	1.5-4 mm ²	18-12 AWG	2.5-6 mm ²	18-8 AWG	4-10 mm ²	16-6 AWG
For terminals for polar conductors	3424		3425		3426	
green/yellow	3436/4V		3436V		3436/10V	



Technical data

Connecting capacity \varnothing	mm	3.1	3.7	5.3
Clamping screws		M3	M3	M4
Central screw of pressure part		M3	M3	M4
Strip insulation	mm	12	12	12
Clamping couple for electric screw-driver for clamping screws	Nm	0.8	0.8	1.8
for central screw	Nm	0.7	0.7	1.2
Packing unit	pcs	50	50	25



Accessories see pages 1.1.71 to 1.1.107

Marking accessories		3957/.	8 labels	3957/.	8 labels	3957/.	8 labels
		3958/.	8 labels	3958/.	8 labels	3958/.	8 labels
		RB/6x12	2 labels	RB/6x12	2 labels	RB/6x12	2 labels
Thanks to the enclosure, the earthing terminal shows the same outlines as the terminal for polar conductor of same cross-section							
The earthing terminal in the enclosure is similar to	No.	3435		3436		3436/10	
identical to	No.						

3

Enclosed earthing terminals for stringent demands

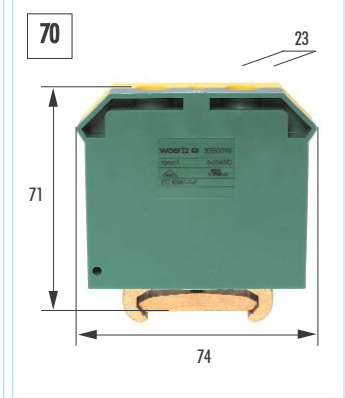
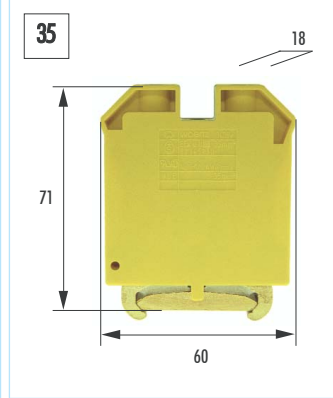
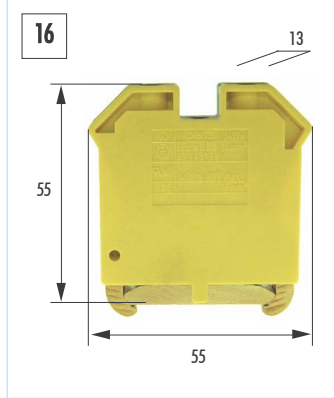
16-70 mm², for terminals type 30128



PA 66



- Terminal and pressure part of brass
- Screws and springs of stainless steel
- 4-figure marking on both sides
- The connection between mounting rail and terminal as well as the connected conductors are protected against working loose
- Ex terminals also available (see Ex flyer)



Article numbers

Ratings	6-16 mm ²	10-4 AWG	10-35 mm ²	6-1/0 AWG	16-70 mm ²	4-2/0 AWG
for terminals for polar conductor	3427		3428		3429	
green and yellow	3437V		3438V		30550/70V	



Technical data

Connecting capacity Ø	mm	6.5	9.2	11.5
Clamping screws		M6 slotted	M8 slotted	M8 Allen / key size 6
Central screw of pressure part		M4	M4	M4
Strip insulation	mm	18	21	22
Clamping couple for electric screw-driver for clamping screws	Nm	2.5	5.0	15.0
for central screw	Nm	1.2	1.2	1.2
Packing unit	pcs	25	25	5



Accessories see pages 1.1.71 to 1.1.107

Marking accessories	3957/.	8 labels	3957/.	8 labels	3957/.	8 labels
	3958/.	8 labels	3958/.	8 labels	3958/.	8 labels
	RB/6x12	2 labels	RB/6x12	2 labels	RB/6x12	2 labels
In the casing, there is an earthing terminal	No.	3437	3438	30550/70		



Technical information

Mounting rail according to EN 60715 TH 35 7.3x1 No. 3401 corresponds to resistance to short-circuits of a conductor 16 mm²

Mounting rail according to EN 60715 TH 35 15x2.5 No. 3490 corresponds to resistance to short-circuits of a conductor 50 mm²

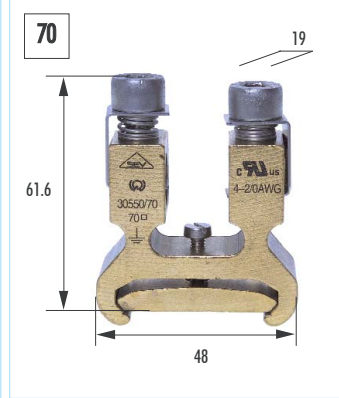
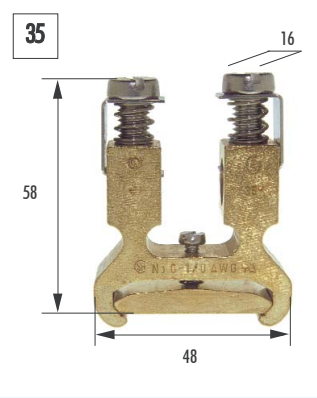
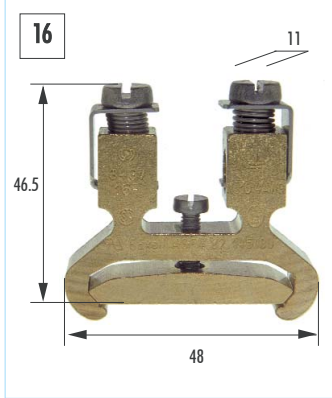
Mounting rail according to EN 60715 TH 35 15x2.3 Cu No. 80290 corresponds to resistance to short-circuits of a conductor 150 mm²

Bare earthing terminals

16-70 mm²



- Terminal and pressure part of brass
- Screws and springs of stainless steel
- The connection between mounting rail and terminal as well as the connected conductors are protected against working loose
- Ex terminals also available (see Ex flyer)



Article numbers

Ratings	6-16 mm ²	10-4 AWG	10-35 mm ²	6-1/0 AWG	16-70 mm ²	4-2/0 AWG
for terminals for polar conductor	3427 3452/16		3428		3429	
	3437		3438		30550/70	



Technical data

Connecting capacity Ø	mm	6.5	9.2	11.5
Clamping screws		M6 slotted	M8 slotted	M8 Allen / key size 6
Central screw of pressure part		M4	M4	M4
Strip insulation	mm	12	14	20
Clamping couple for electric screw-driver for clamping screws	Nm	2.5	5.0	15.0
for central screw	Nm	1.2	1.2	1.2
Packing unit	pcs	25	25	5



Accessories see pages 1.1.71 to 1.1.107

Technical information

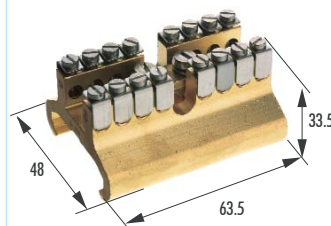
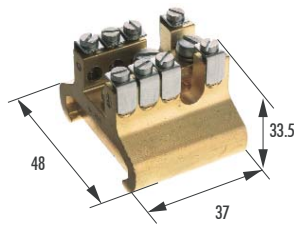
Mounting rail according to EN 60715 TH 35 7.3x1 No. 3401 corresponds to resistance to short-circuits of a conductor 16 mm²

Mounting rail according to EN 60715 TH 35 15x2.5 No. 3490 corresponds to resistance to short-circuits of a conductor 50 mm²

Mounting rail according to EN 60715 TH 35 15x2.3 Cu No. 80290 corresponds to resistance to short-circuits of a conductor 150 mm²



- Terminal and pressure part of brass
- Screws and springs of stainless steel
- The connection between mounting rail and terminal as well as the connected conductors are protected against working loose
- 1 main terminal with clamp for through conductors up to 25 mm²
- 8 or 16 additional connections for conductors up to 6 mm²



Article numbers

	with 1 main connection up to 25 mm ² 10-25 mm ² /6-4AWG 8 additional connections up to 6 mm ² 2.5-6mm ² /18-8AWG	with 1 main connection up to 25 mm ² 10-25 mm ² /6-4AWG 16 additional connections up to 6 mm ² 2.5-6mm ² /18-8AWG	
	3433	3434	

Technical data

Connecting capacity			
- of the main terminal	∅ mm	7	7
- of the additional connections	∅mm	3.5	3.5
Clamping screws			
- of the main terminals		M5	M5
- of the additional connections		M3	M3
Central screws for pressure part		M3 (1 x)	M3 (2 x)
Strip insulation	mm	7	7
Clamping couple for electric screw-driver			
for screws M5	Nm	4.0	4.0
for screws M3	Nm	0.8	0.8
Packing unit	pcs	10	5

Accessories see pages 1.1.71 to 1.1.107

Technical information

Mounting rail according to EN 60715 TH 35 7.3x1 No. 3401
corresponds to resistance to short-circuits of a conductor 16 mm²

Mounting rail according to EN 60715 TH 35 15x2.5 No. 3490
corresponds to resistance to short-circuits of a conductor 50 mm²

Mounting rail according to EN 60715 TH 35 15x2.3 Cu No. 80290
corresponds to resistance to short-circuits of a conductor 150 mm²

Detachable neutral connectors / Neutral disconnecting terminals 20, 25 and 63A

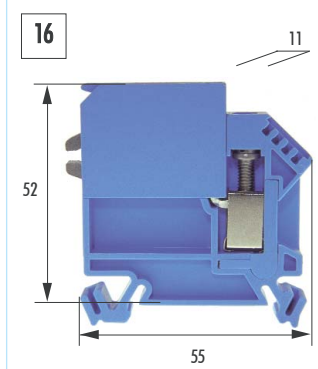
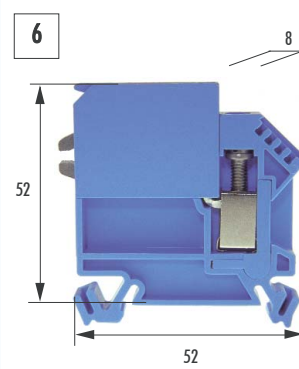
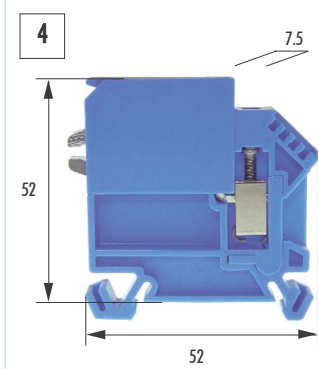
4-16 mm², for terminals type 30128



PA 66



- Clamping parts of nickel-plated brass
- Springs and captive screws of stainless steel
- With protective cover which indicates the state of the connection
- Clamping screw and spring for protection against working loose
- 4-figure marking on one side
- The busbar to which the clamping jaws fold back is always at the same height whatever the nominal current may be.



Article numbers

Ratings	0.5-4 mm ² 750V/20A	18-12 AWG 600V/25A	0.5-6 mm ² 750V/25A	18-8 AWG 600V/55A	1.5-16 mm ² 750V/63A	14-6 AWG 600V/80A
pale blue	3472BL		3477BL		3473BL	



Technical data

	mm	3.4 x 6	4.5 x 6.5	7.3 x 8.6
Connecting capacity				
Clamping screws		M3	M4	M5
Strip insulation	mm	10	12	13
Clamping couple for electric screw-driver	Nm	0.8	1.5	2.5
Packing unit	pcs	50	25	25



Accessories see pages 1.1.71 to 1.1.107

Marking accessories	3957/.	4 labels	3957/.	4 labels	3957/.	4 labels
	3958/.	4 labels	3958/.	4 labels	3958/.	4 labels
	RB/6x12	1 label	RB/6x12	1 label	RB/6x12	1 label
End barriers	3474BL		3474BL		3475BL	
Stoppers	3418		3418		3418	
Stop pieces	30199		30199		30199	
Terminals to busbar for neutral conductors						
for Cu conductor 10-16 mm ² rigid	3838		3838		3838	
for Cu conductor 25-35 mm ² flexible	3839		3839		3839	
Busbars for neutral conductors of tinned electrolytic copper length 1 m						
10 x 2 mm	3859		3859		3859	
10 x 3 mm	3856		3856		3856	
Cover to busbar for neutral conductor	81445		81445		81445	
Cover clips	81446		81446		81446	

Connection on the opposite side of the clamping jaws for the busbar for neutral conductor

Earthing, subdivision of the PEN conductor see page 1.1.9

Detachable neutral connectors / Neutral disconnecting terminals 20 and 25A



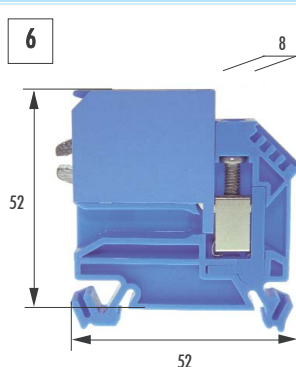
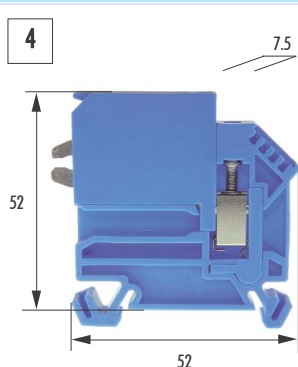
4-6 mm², for terminals type 30128



PA 66



- Clamping parts of nickel-plated brass
- Springs and captive screws of stainless steel
- With protective cover which indicates the state of the connection
- Clamping screw and spring for protection against working loose
- 4-figure marking on one side
- The busbar to which the clamping jaws fold back is always at the same height whatever the nominal current may be.



Connection on the same side as the clamping jaws for the busbar for neutral conductor



Article numbers

Ratings	0.5-4 mm ² 750V/20A	18-12 AWG 600V/25A	0.5-6 mm ² 750V/25A	18-8 AWG 600V/55A	
pale blue	30197		30200		



Technical data

Connecting capacity	mm	3.4 x 6	4.5 x 6.5
Clamping screws		M3	M4
Strip insulation	mm	15.5	15.5
Clamping couple for electric screw-driver	Nm	0.8	1.5
Packing unit	pcs	50	25



Accessories see pages 1.1.71 to 1.1.107

Marking accessories		3957/. 3958/. RB/6x12	4 labels 4 labels 1 label	3957/. 3958/. RB/6x12	4 labels 4 labels 1 label
End barriers		3474BL		3474BL	
Stoppers		3418		3418	
Stop pieces		30199		30199	
Terminals to busbar for neutral conductors					
for Cu conductor 10-16 mm ² rigid		3838		3838	
for Cu conductor 25-35 mm ² flexible		3839		3839	
Busbars for neutral conductors of tinned electrolytic copper length 1 m					
10 x 2 mm		3859		3859	
10 x 3 mm		3856		3856	
Cover to busbar for neutral conductor		81445		81445	
Cover clips		81446		81446	

Earthing, subdivision of the PEN conductor see page 1.1.9

Disconnecting terminals with disconnecting plug 3821

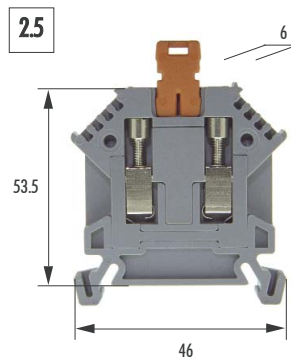
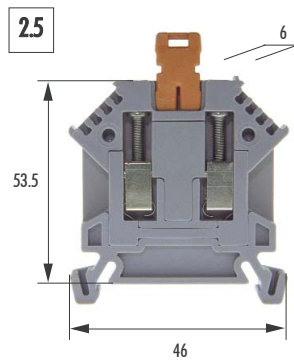
2.5 mm², for terminals type 30128



PA 66



- Clamping units of nickel-plated brass
- Slotted screws and springs of stainless steel
- Socket screws of silver-plated brass
- 4-figure marking on both sides
- with additional spring to protect against working loose
- The separation point may be shown when the plug is inserted with the prongs upwards



Article numbers

Ratings	0.5-2.5 mm ² 800V/16A with 2 slotted screws	22-12 AWG 600V/20A	0.5-2.5 mm ² 800V/16A with 2 screws and sockets inside diameter 2.3 mm	
grey	30124		30130	



Technical data

Connecting capacity	mm	3.2 x 4.2	3.2 x 4.2	
Clamping screws		M3	M3	
Strip insulation	mm	10	10	
Clamping couple for electric screw-driver	Nm	0.7	0.6	
Packing unit	pcs	50	50	



Accessories see pages 1.1.71 to 1.1.107

Test adaptors		/		3772	
Marking accessories		3957/.	8 labels	3957/.	8 labels
		3958/.	8 labels	3958/.	8 labels
		RB/6x12	2 labels	RB/6x12	2 labels
End barriers		30112		30112	
Partitions		3506		3506	
Stoppers		3418		3418	
Stoppers		30370		30370	
Stop pieces		30199		30199	
Disconnecting plug		3821		3821	

Disconnecting terminals without plug

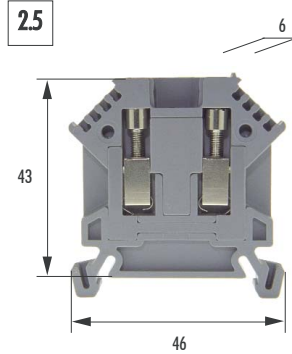
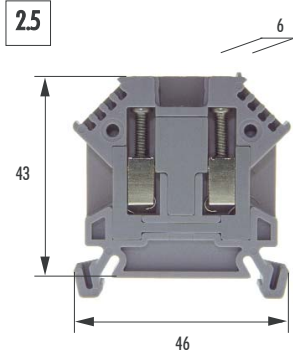
2.5 mm², for terminals type 30128



PA 66



- Clamping units of nickel-plated brass
- Slotted screws and springs of stainless steel
- Socket screws of silver-plated brass
- 4-figure marking on both sides
- with additional spring to protect against working loose
- designed for diode plugs, fuse plugs, disconnecting plugs
- Plugs have to be ordered separately



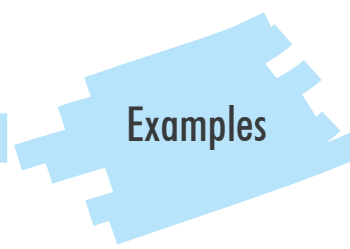
Article numbers

Ratings	0.5-2.5 mm ² 800V/16A	22-12 AWG 600V/20A	0.5-2.5 mm ² 800V/16A with 2 screws and sockets inside diameter 2.3 mm
grey	30127		30123



Technical data

Connecting capacity	mm	3.2 x 4.2	3.2 x 4.2
Clamping screws		M3	M3
Strip insulation	mm	10	10
Clamping couple for electric screw-driver	Nm	0.7	0.6
Packing unit	pcs	50	50



3



Accessories see pages 1.1.71 to 1.1.107

Test adaptors (only for disconnecting plug 3821)		/		3772	
Marking accessories		3957/.	8 labels	3957/.	8 labels
		3958/.	8 labels	3958/.	8 labels
		RB/6x12	2 labels	RB/6x12	2 labels
End barriers		30112		30112	
Partitions		3506		3506	
Stoppers		3418		3418	
Stoppers		30370		30370	
Stop pieces		30199		30199	
Disconnecting plugs		3821		3821	
Fuse plugs					
- without indicator		30134			
- with LED 24V		30134/24			
- with LED 230V		30134/230			
Diode plug		30133			
Diode plug		30205			
Empty component plug		30132			



Longitudinal and lateral disconnecting terminals

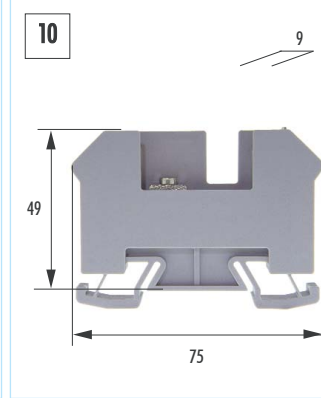
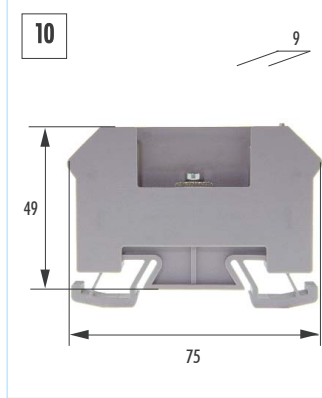
up to 10 mm²



PA 66



- Clamping units and disconnecting unit of nickel-plated brass
- Springs and screws of stainless steel
- 4-figure marking on both sides



Article numbers

Ratings	0.5-10 mm ² 500V/40A	18-8 AWG 600V/50A	0.5-10 mm ² 500V/40A	18-8 AWG 600V/50A	
	longitudinal disconnecting terminal		lateral disconnecting terminal		
grey	30168		30172		



Technical data

Connecting capacity	mm	4.5 x 5.5	4.5 x 5.5	
Clamping screws		M4	M4	
Strip insulation	mm	14	14	
Clamping couple for electric screw-driver	Nm	0.8	0.8	
Packing unit	pcs	20	20	



Accessories see pages 1.1.71 to 1.1.107

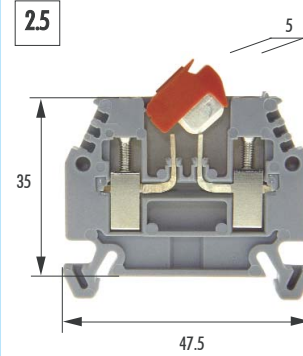
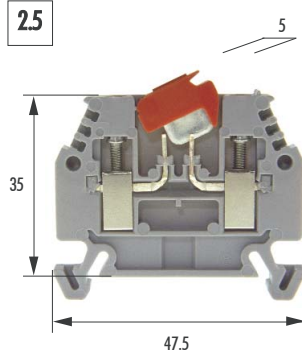
Marking accessories		3957/. 3958/. RB/6x12	8 labels 8 labels 2 labels	3957/. 3958/. RB/6x12	8 labels 8 labels 2 labels
End barriers		30159		30159	
Stoppers		3418		3418	
Stop pieces		30199		30199	
Cross-junction racks				30179	



PA 66



- Clamping unit of nickel-plated brass
- Knife and bracket bars of silver-plated brass
- Slotted screws of stainless steel
- Socket screws of silver-plated brass
- 3-figure marking
- Disconnecting knife locked in open position



Article numbers

Ratings	0.5-2.5 mm ² 800V/15A	22-14 AWG 300V/15A	0.5-2.5 mm ² 800V/15A	22-14 AWG 300V/15A	
	with 2 slotted screws		with 2 socket screws inside diameter 2.4 mm		
grey	30870		30870P		



Technical data

Connecting capacity	mm	2.8 x 4.8	2.8 x 4.8	
Clamping screws		M2.5	M2.5	
Strip insulation	mm	9	9	
Clamping couple for electric screw-driver	Nm	0.6	0.6	
Packing unit	pcs	50	50	
Disconnecting unit		orange	orange	



Accessories see pages 1.1.71 to 1.1.107

Test adaptors		/		80258	
Marking accessories		RBE5 RB/5x9	6 labels 2 labels	RBE5 RB/5x9	6 labels 2 labels
End barriers		30311		30311	
Partitions		30321		30321	
Stoppers		3418		3418	
Stop pieces		30199		30199	
Cross-junction racks		30790		30790	

Knife disconnecting terminals and detachable neutral connectors

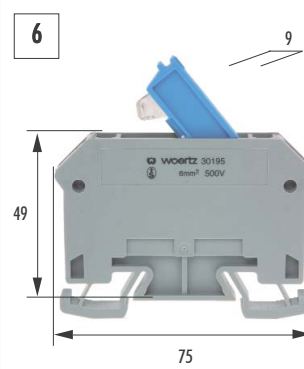
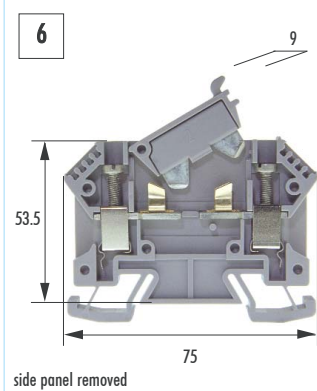
up to 6 mm²



PA 66



- Clamping unit, clamping bars and knife of nickel-plated brass
- Contact springs of bronze
- Springs and screws of stainless steel
- 4-figure marking on both sides
- Disconnecting unit locked in open position
- Terminals completely enclosed
- The disconnecting unit of the terminal No. 30195 can only be opened with a tool



Article numbers

Ratings	0.5-6 mm ² 500V/25A	18-10 AWG 600V/30A	0.5-6 mm ² 500V/25A	18-10 AWG 600V/30A	
	Knife disconnecting terminal		Detachable neutral connecting terminal		
grey	30191		30195		



Technical data

Connecting capacity	mm	4.5 x 5.5	4.5 x 5.5	
Clamping screws		M4	M4	
Strip insulation	mm	14	14	
Clamping couple for electric screw-driver	Nm	0.8	0.8	
Packing unit	pcs	20	20	
Disconnecting unit		grey	blue	



Accessories see pages 1.1.71 to 1.1.107

Marking accessories		3957/.	8 labels	3957/.	8 labels	
		3958/.	8 labels	3958/.	8 labels	
		RB/6x12	2 labels	RB/6x12	2 labels	
Stoppers Stop pieces		3418		3418		
		30199		30199		



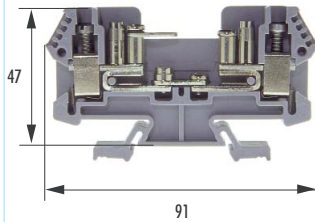
PA 66



- Clamping units, disconnecting unit, bolts and sockets of nickel-plated brass
- Clamping screws and springs of stainless steel
- 4-figure marking on both sides
- The terminal consists of
 - 1 slider for longitudinal direction,
 - 2 bolts for cross-connection,
 - 1 hooked strip for cross-connection,
 - 2 sockets for banana plug
- Ø 4 mm

10

11



Article numbers

Ratings

0.5-10 mm²
500V/50A

grey

30146



Technical data

Connecting capacity	mm	5.5 x 6
Clamping screws		M4
Strip insulation	mm	12
Clamping couple for electric screw-driver	Nm	1.5
Packing unit	pcs	10



Accessories see pages 1.1.71 to 1.1.107

Marking accessories



3957/.. 8 labels
3958/.. 8 labels
RB/6x12 2 labels

End barriers



30158

Stop pieces



30199

Fuse terminals with fuse-carrier

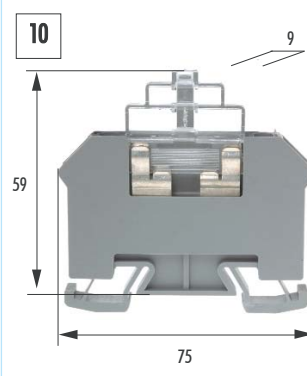
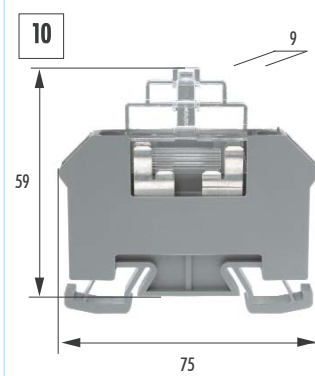
up to 10 mm²



PA 66



- Clamping unit of nickel-plated brass
- Springs and screws of stainless steel
- 4-figure marking on both sides
- May be provided with a fuse up to max. 6.3A either 5x20mm or 1/4"x1 1/4" (6.3x32mm)
- Available with LED 24V to indicate damaged fuse
- Delivered without fuse



Article numbers

Ratings	0.5-10 mm ² 250V/6.3A	20-8 AWG 300V/6.3A	0.5-10 mm ² 250V/6.3A	20-8 AWG 300V/6.3A
	without indicator		with LED 24 V for fuse 24V	
grey	30176		30228	



Technical data

	mm	4.5 x 5.5	4.5 x 5.5
Connecting capacity	mm	4.5 x 5.5	4.5 x 5.5
Clamping screws		M4	M4
Strip insulation	mm	14	14
Clamping couple for electric screw-driver	Nm	0.8	0.8
Packing unit	pcs	20	20



Accessories see pages 1.1.71 to 1.1.107

Marking accessories		3957/.	8 labels	3957/.	8 labels
		3958/.	8 labels	3958/.	8 labels
		RB/6x12	2 labels	RB/6x12	2 labels
End barriers		30159		30159	
Stoppers		3418		3418	
Stop pieces		30199		30199	

Separate fuse-carrier may be provided with a fuse up to max. 6.3A either 5x20mm or 1/4"x1 1/4" (6.3x32mm)

	30180		30180	

Technical information

In a single fuse terminal, a heavier load is possible than in a bloc of several fuse terminals strung together that heat each other up. This source of heat has to be taken into account when planning.

Fuse terminals without indicator

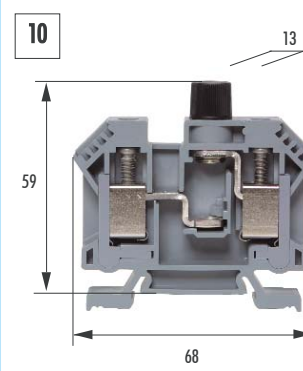
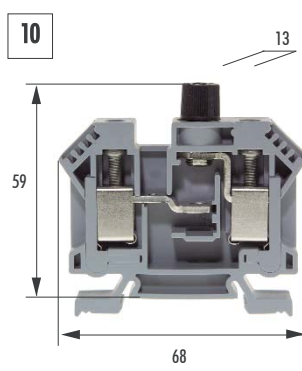
up to 10 mm²



PA 66



- Screw cap of thermosetting plastic
- Clamping units and bars of nickel-plated brass
- Screws and springs of stainless steel
- 4-figure marking on both sides
- Delivered without fuse



Article numbers

Ratings	0.5-10 mm ² 250V/6.3A	20-8 AWG 300V/10A	0.5-10 mm ² 250V/10A	20-8 AWG 300V/10A
	for fuse 5 x 20 mm		for fuse 1/4" x 1 1/4" (6.3 x 32mm)	
grey	30005		30008	



Technical data

Connecting capacity	mm	5.8 x 7.7	5.8 x 7.7
Clamping screws		M4	M4
Thread in connecting bar		M3	M3
Strip insulation	mm	13	13
Clamping couple for electric screw-driver	Nm	1.5	1.5
Packing unit	pcs	10	10
Max. operating voltage of the fuse	V	250/300	250/300
Rated current of the fuse	A	0.032-6.3/10	0.032-10



Accessories see pages 1.1.71 to 1.1.107

Test adaptors		80070 2737		80070 2737	
Marking accessories		3957/. 3958/. RB/6x12	8 labels 8 labels 2 labels	3957/. 3958/. RB/6x12	8 labels 8 labels 2 labels
End barriers		30025		30025	
Stoppers		3418		3418	
Stoppers		30370		30370	
Stop pieces		30199		30199	

Technical information

In a single fuse terminal, a heavier load is possible than in a bloc of several fuse terminals strung together that heat each other up. This source of heat has to be taken into account when planning.

Fuse terminals with luminous indicator

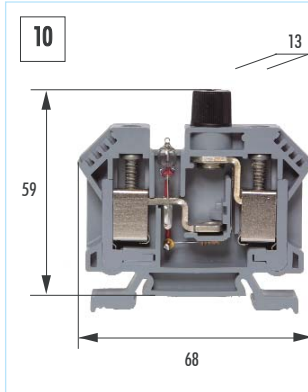
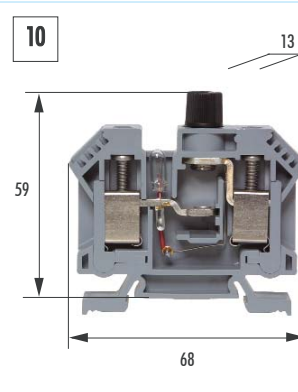
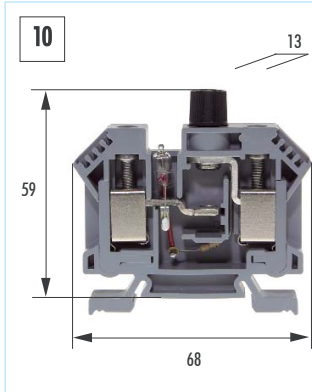
up to 10 mm²



PA 66



- Screw cap of thermosetting plastic
- Clamping units and bars of nickel-plated brass
- Screws and springs of stainless steel
- 4-figure marking on both sides
- With LED to indicate damaged fuse
- Delivered without fuse



Article numbers

Ratings	0.5-10 mm ² 250V/6.3A for fuse 5 x 20 mm, 220V indicator with LED 220 V	0.5-10 mm ² 250V/6.3A for fuse 5 x 20 mm, 24V indicator with LED 24 V	0.5-10 mm ² 20-8 AWG 250V/10A 300V/10A for fuse 1 ¹ / ₄ " x 1 ¹ / ₄ " (6.3 x 32mm), 110 V, indicator with LED 110 V
grey	30003	30009	30041



Technical data

Connecting capacity	mm	5.8 x 7.7	5.8 x 7.7	5.8 x 7.7
Clamping screw		M4	M4	M4
Strip insulation	mm	13	13	13
Clamping couple for electric screw-driver	Nm	1.5	1.5	1.5
Packing unit	pcs	10	10	10
Max. operating voltage of the fuse	V	220	24	110
Rated current of the fuse	A	0.032-6.3	0.032-6.3	0.032-10



Accessories see pages 1.1.71 to 1.1.107

Marking accessories		3957/. 8 labels 3958/. 8 labels RB/6x12 2 labels	3957/. 8 labels 3958/. 8 labels RB/6x12 2 labels	3957/. 8 labels 3958/. 8 labels RB/6x12 2 labels
End barriers		30025	30025	30025
Stoppers		3418	3418	3418
Stoppers		30370	30370	30370
Stop pieces		30199	30199	30199

Technical information

In a single fuse terminal, a heavier load is possible than in a bloc of several fuse terminals strung together that heat each other up. This source of heat has to be taken into account when planning.



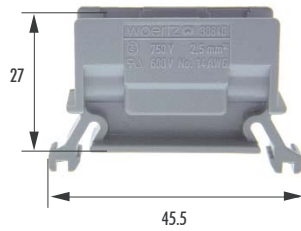
PA 66



- Terminals and set screws of nickel-plated brass
- Sliding cover of stainless steel
- for one main through connector and one or more branch conductors
- Insert the label carriers, which are provided with the terminal, into a slot in the side panel, fold them and put on marking labels.

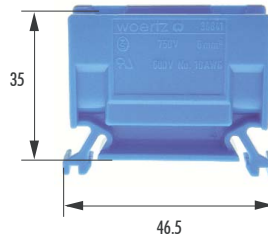
2.5

11



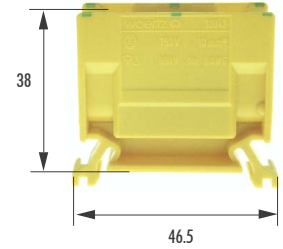
6

12.5



10

14.5



Article numbers

Ratings	1.5+2.5 mm ² 750V/24A without pressure part, slotted set screws	14 AWG 600V/15A	2.5-6 mm ² 750V/41A without pressure part, slotted set screws	10 AWG 600V/30A	4-10 mm ² 750V/57A without pressure part, slotted screws	8 AWG 600V/50A
grey	30840GR		30841GR		30842GR	
blue	30840BL		30841BL		30842BL	
green and yellow (insulated earthing conductor)	30840E		30841E		30842E	



Technical data

Set screws		M5	M6	M7
Strip insulation	mm	16	23	23
Clamping couple for electric screw-driver	Nm	0.8	1.4	2.0
Packing unit	pcs	50	25	25



Accessories see pages 1.1.71 to 1.1.107

Label carriers for 4 labels		80150	80151	80152
Marking accessories		3957/. 3958/. RB/6x12	4 labels 4 labels 1 label	3957/. 3958/. RB/6x12
Protection against contact		80079/10	80079/10	80079/10
Supporting studs		80059/31	80059/38	80059/45
Stoppers		3418	3418	3418
Connecting capacity		7 x 1 mm ²	7 x 2.5 mm ²	7 x 4 mm ²
Solid conductors, strands, rigid		5 x 1.5 mm ²	5 x 4 mm ²	4 x 6 mm ²
stranded conductors		3 x 2.5 mm ²	3 x 6 mm ²	3 x 10 mm ²

How to connect

Unscrew the clamping screws, pull off the sliding cover, insert the bared conductors (one main through conductor and one or more branch conductors) and clamp them with both clamping screws.



Branching terminals

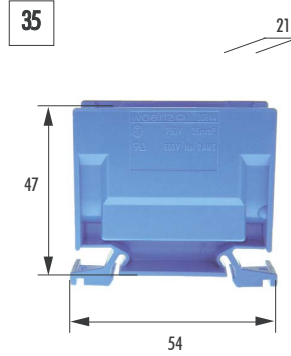
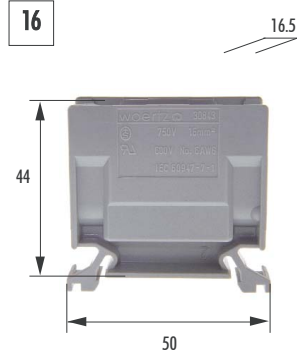
16+35 mm²



PA 66



- Terminals and set screws of nickel-plated brass
- Sliding cover of stainless steel
- for one main through conductor and one or more branch conductors
- Insert the label carriers, which are provided with the terminal, into a slot in the side panel, fold them and put on marking labels.



Article numbers

Ratings	6-16 mm ² 750V/76A without pressure part, slotted set screws	6 AWG 600V/65A	10-35 mm ² 750V/125A without pressure part, slotted set screws	2 AWG 600V/115A
grey	30843GR		30844GR	
blue	30843BL		30844BL	
green and yellow (insulated earthing conductor)	30843E		30844E	

Technical data

Set screws		M8	M12
Strip insulation	mm	27	35
Clamping couple for electric screw-driver	Nm	2.3	3.8
Packing unit	pcs	20	20

Accessories see pages 1.1.71 to 1.1.107

Label carriers for 4 labels		80153	80154
Marking accessories		3957/.	4 labels
		3958/.	4 labels
		RB/6x12	1 label
Protection against contact Supporting studs		80079/35	80079/35
		80059/45	80059/55
Stoppers		3418	3418
Connecting capacity rigid and flexible stranded conductors		6 x 6 mm ²	4 x 16 mm ²
		4 x 10 mm ²	2 x 25 mm ²
		3 x 16 mm ²	2 x 35 mm ²

How to connect

Unscrew the clamping screws, pull off the sliding cover, insert the bared conductors (one main through conductor and one or more branch conductors) and clamp them with both clamping screws.



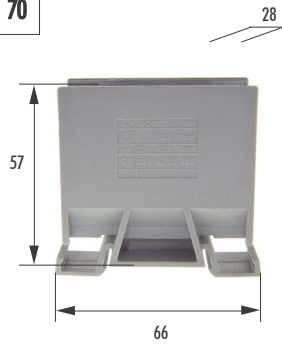


PA 66

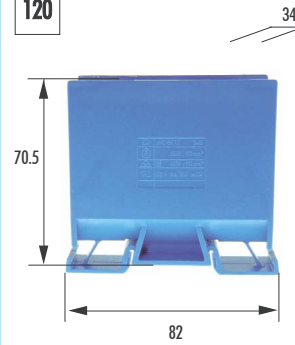


- Terminals, set screws, sliding covers and pressure part of nickel-plated brass

70



120



Article numbers

Ratings	16-70 mm ² 800V/192A with pressure part, Allen set screws key size 8 mm	2/0 AWG 600V/175A	70-120 mm ² 800V/269A with pressure part, Allen set screws key size 10 mm	250 MCM 600V/255A	
grey	3468GR		3469GR		
blue	3468BL		3469BL		
green and yellow (insulated earthing conductor)	3468E		3469E		



Technical data

Set screws		M16 Allen	M20 Allen	
Marking label		9.5 x 24.5	9.5 x 31	
Strip insulation	mm	42	59	
Clamping couple for electric screw-driver	Nm	14.2	30.0	
Packing unit	pcs	5	5	



Accessories see pages 1.1.71 to 1.1.107

Protection against contact		80079/120	80079/120	
Supporting studs		80059/65	80059/75	
Stop pieces		30199	30199	
connecting capacity rigid and flexible stranded conductors		3 x 35 mm ² 2 x 50 mm ² 2 x 70 mm ²	3 x 70 mm ² 2 x 95 mm ² 2 x 120 mm ²	

How to connect

Unscrew clamping screws, pull off sliding cover, remove pressure part

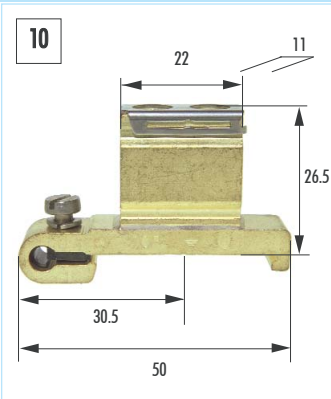
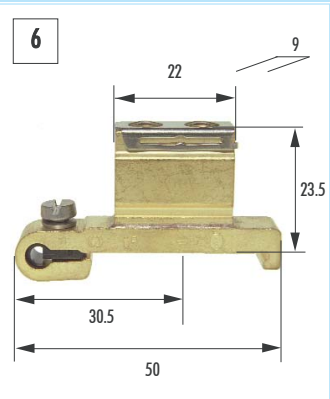
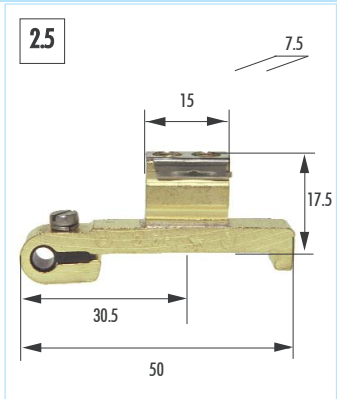


Bare earthing terminals

2.5-10 mm²



- Terminals of brass
- Set screws of nickel-plated brass
- Sliding cover of stainless steel
- The connection between mounting rail and terminal as well as the connected conductors are protected against working loose



Article numbers

Nominal cross-section	1.5+2.5 mm ² / 14 AWG	2.5-6 mm ² / 10 AWG	4-10 mm ² / 8 AWG
	without pressure part, slotted set screws	without pressure part, slotted set screws	without pressure part, slotted set screws
	30380	30381	30382



Technical data

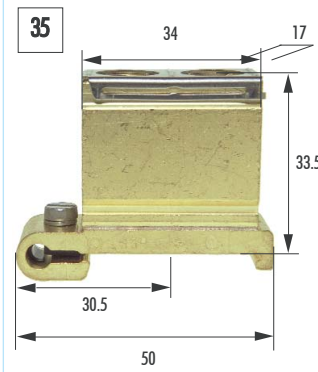
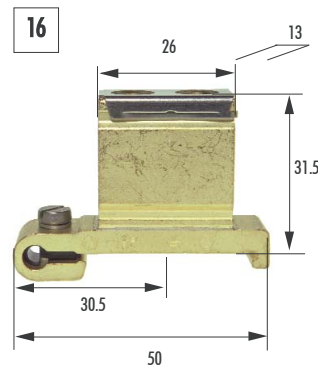
Set screws	M5	M6	M7
Rail screws	M3	M4	M4
Strip insulation	mm 15	22	22
Clamping couple for electric screw-driver for set screws	Nm 0.8	1.4	2.0
for rail screws	Nm 1.0	1.5	2.0
Packing unit	pcs 50	50	50



Accessories see pages 1.1.71 to 1.1.107



- Terminals of brass
- Set screws of nickel-plated brass
- Sliding cover of stainless steel
- The connection between mounting rail and terminal as well as the connected conductors are protected against working loose



Article numbers

Nominal cross-section	6-16 mm ² / 6 AWG	10-35 mm ² / 2 AWG	
	without pressure part, slotted set screws	without pressure part, slotted set screws	
	30383	30384	

Technical data

Set screws	M8	M12	
Rail screws	M4	M4	
Strip insulation	mm 26	34	
Clamping couple for electric screw-driver			
for set screws	Nm 2.3	3.8	
for rail screws	Nm 2.5	3.0	
Packing unit	pcs 50	50	

Accessories see pages 1.1.71 to 1.1.107

Mounting rail according to EN 60715 TH 35 7.3x1 No. 3401
corresponds to resistance to short-circuits of a conductor 16 mm²

Mounting rail according to EN 60715 TH 35 15x2.5 No. 3490
corresponds to resistance to short-circuits of a conductor 50 mm²

Mounting rail according to EN 60715 TH 35 15x2.3 Cu No. 80290
corresponds to resistance to short-circuits of a conductor 150 mm²

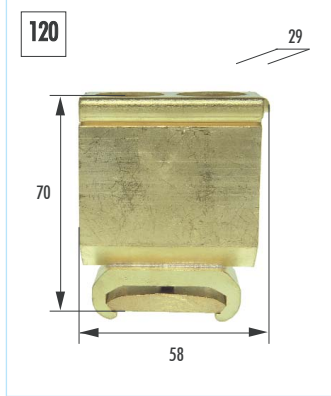
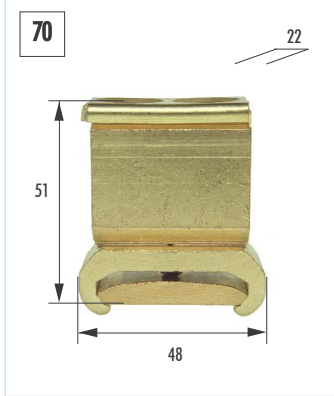
Technical information

Bare earthing terminals

70+120 mm²



- Terminal and sliding cover of brass
- Pressure part and set screws of nickel-plated brass
- The connection between mounting rail and terminal as well as the connected conductors are protected against working loose



Article numbers

Nominal cross-section

16-70 mm²

70-120 mm²

with pressure part, Allen set screws
key size 8 mm

with pressure part, Allen set screws
key size 10 mm

30181

30182



Technical data

Set screws

M16 Allen

M20 Allen

Screw for pressure part

M4

M4

Strip insulation mm

42

58

Clamping couple for electric screw-driver

for set screws Nm

26.0

30.0

for screws for pressure part Nm

2.5

2.5

Packing unit pcs

10

10



Accessories see pages 1.1.71 to 1.1.107

Technical information

Mounting rail according to EN 60715 TH 35 7.3x1 No. 3401
corresponds to the resistance to short-circuits of a conductor 16 mm²

Mounting rail according to EN 60715 TH 35 15x2.5 No. 3490
corresponds to the resistance to short-circuits of a conductor 50 mm²

Mounting rail according to EN 60715 TH 35 15x2.3 Cu No. 80290
corresponds to the resistance to short-circuits of a conductor 150 mm²

Neutral disconnecting terminals 25, 63 and 100 A

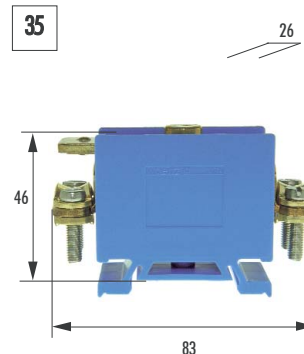
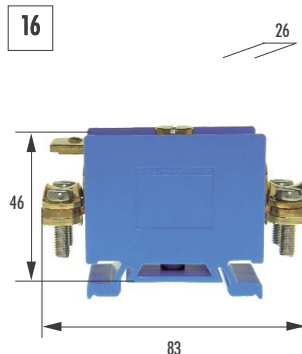
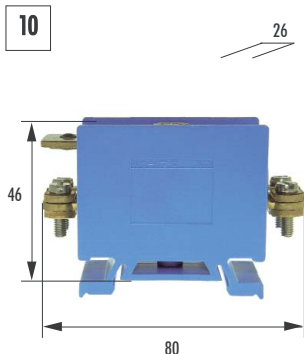
10-35 mm²



PA 66



- Metal parts of bare brass
- Loosening the screw automatically unlocks the disconnecting unit which remains open. The state of the connection is clearly visible. Covers cannot be mounted when terminal is in open (disconnected) position.
- Height of terminals in open position 98 mm



Article numbers

Max. cross-section of conductors
Input and output

10 mm²

16 mm²

35 mm²

pale blue

30224/25A

30224/60A

30224/100A

Technical data

Nominal current	A	25	63	100
Nominal voltage	V	500	500	500
Packing unit	pcs	5	5	5

Accessories see pages 1.1.71 to 1.1.107

Earthing, subdivision
of the PEN conductor
see page 1.1.9

Neutral disconnecting terminal 160 A

50 mm²



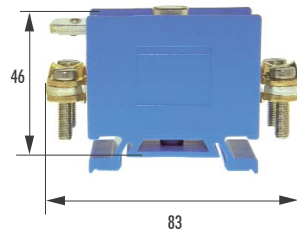
PA 66



- Metal parts of silver-plated brass
- Loosening the screw automatically unlocks the disconnecting unit which remains open. The state of the connection is clearly visible. Covers cannot be mounted when terminal is in open (disconnected) position.
- Height of terminals in open position 98 mm

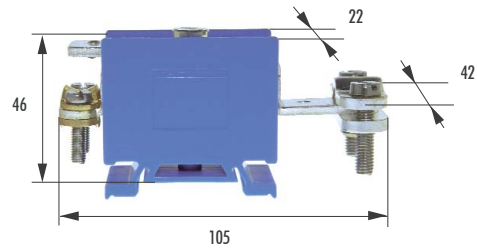
50

26



50

26



Article numbers

Max. cross-section of conductors

Input

Output

50 mm² rigid stranded conductor

50 mm² rigid stranded conductor

50 mm² flexible stranded conductor

50 mm² rigid stranded conductor
width of input terminal 42 mm

pale blue

30224/160A

30224/160B



Technical data

Nominal current

A

160

160

Nominal voltage

V

660

660

Packing unit

pcs

5

5



Accessories see pages 1.1.71 to 1.1.107

Earthing, subdivision
of the PEN conductor
see page 1.1.9

Stud terminals M8, M10, M12 for cable lugs

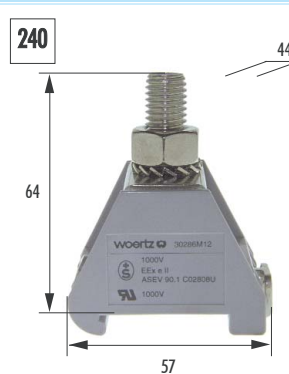
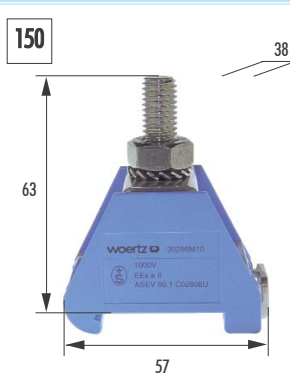
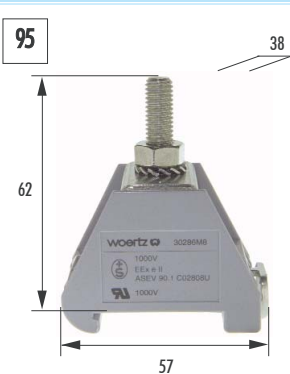
95-240 mm²



PA 66



- Stud and metal fittings of stainless steel
- Connected cable lugs protected against working loose
- Sprung base
- Adjacent terminals always have to be separated by a partition
- Ex terminals also available (see Ex flyer)



Article numbers

Max. cross-section of cable	95 mm ²	3/0 AWG	150 mm ²	300 MCM	240 mm ²	500 MCM
Ratings	750V	1000V/200A	750V	1000V/285A	750V	1000V/380A
grey	30286M8GR		30286M10GR		30286M12GR	
blue	30286M8BL		30286M10BL		30286M12BL	

Technical data

Studs	M8	M10	M12
Packing unit	10	10	10

Accessories see pages 1.1.71 to 1.1.107

Partitions with nut for covers	3497M5	3497M5	3499M5
Partitions (without nut)	3497	3497	3499
Stop piece	30199	30199	30199



Insulating body with longitudinal slot for screwdriver: a counterforce may so be exerted while tightening the hexagonal nut on the cable lugs.

Heavy-duty terminals M8 and M12 for cable lugs

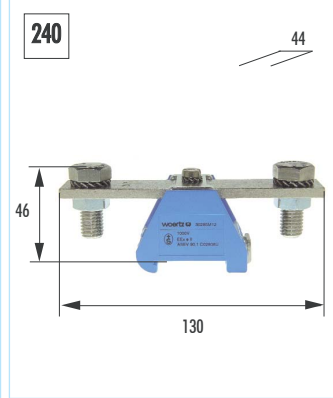
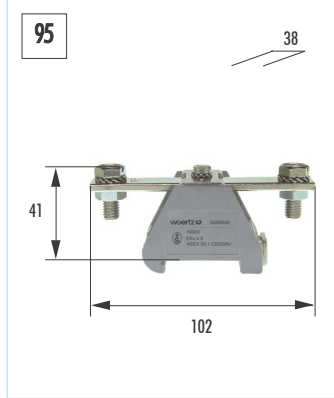
95 + 240 mm²



PA 66



- Connecting bar of nickel-plated brass
- Metal fittings of stainless steel
- Connected cable lugs protected against working loose
- Sprung base
- Adjacent terminals always have to be separated by a partition
- Ex terminals also available (see Ex flyer)



Article numbers

Ratings	95 mm ² 750V		240 mm ² 750V	
grey, with connecting bar	30285M8GR		30285M12GR	
blue, with connecting bar	30285M8BL		30285M12BL	



Technical data

Connecting bar	mm	15 x 4	25 x 5
Screws for cable lugs		M8	M12
Packing unit	pcs	10	10



Accessories see pages 1.1.71 to 1.1.107

Partitions with nut for covers		3497M5	3499M5
Partitions (without nut)		3497	3499
Stop piece		30199	30199

How to connect

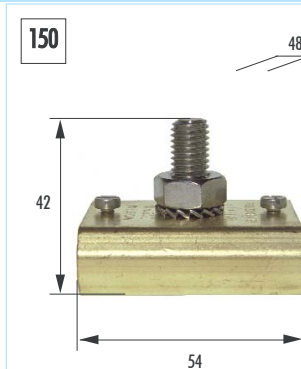
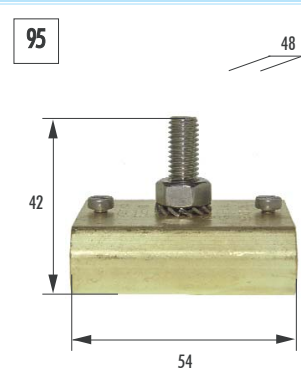
Insulating body with longitudinal slot for screwdriver: a counterforce may so be exerted while tightening the hexagonal nut on the cable lugs.

Earthing stud terminals M8 and M10 for cable lugs

95 + 150 mm²



- Base element and both pressure parts of brass
- Stud, washer and hexagonal nut of stainless steel
- Connections protected against working loose



Article numbers

Nominal cross-section

95 mm²

150 mm²

30287M8

30287M10

Technical data

Studs

M8

M10

Screws for pressure part

M4

M4

Packing unit

pcs

10

10



Accessories see pages 1.1.71 to 1.1.107

Technical information

Mounting rail according to EN 60715 TH 35 7.3x1 No. 3401 corresponds to the resistance to short-circuits of a conductor 16 mm²

Mounting rail according to EN 60715 TH 35 15x2.5 No. 3490 corresponds to the resistance to short-circuits of a conductor 50 mm²

Mounting rail according to EN 60715 TH 35 15x2.3 Cu No. 80290 corresponds to the resistance to short-circuits of a conductor 150 mm²

Terminals for flat push-on connectors 6.3 x 0.8 mm or 2.8 x 0.8 mm

2.5 mm²



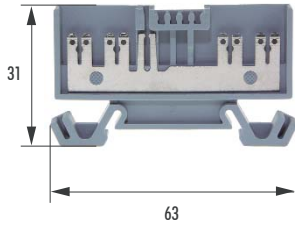
PA 66



- Contacts of nickel-plated brass
- 4-figure marking on central part
- To be used with insulated flat plugs
- The 6.3 mm tabs are divided into two 2.8 mm wide tabs, i.e. they may be used for 6.3 mm as well as for 2.8 mm wide flat plugs.

2.5

6.5



With contact fixture for vertical insertion of cross-connection
Art. No. 30420/20



Article numbers

Ratings	0.5-2.5 mm ² 750V/24A	18-14 AWG 600V/15A
	2/4 tabs on both sides	
grey	3440GR	



Technical data

Packing unit	pcs	50
--------------	-----	----



Accessories see pages 1.1.71 to 1.1.107

Marking accessories		3957/ 3958/ RB/6x12	4 labels 4 labels 1 label
End barriers		3444	
Partitions		3445	
Stoppers		3418	
Stoppers		30370	
Cross-connection racks with insulating tape 20-part		30420/20	

Terminals for flat push-on connectors 6.3 x 0.8 mm or 2.8 x 0.8 mm

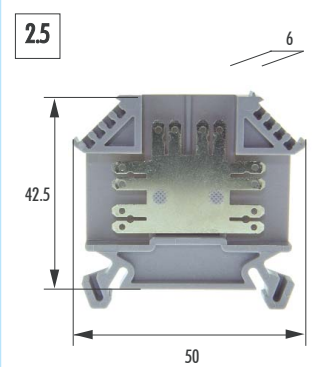
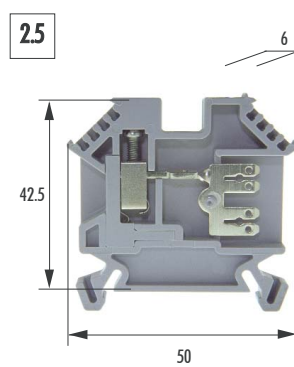
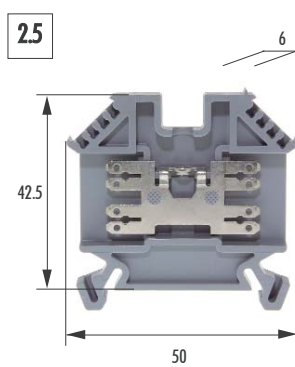
2.5 mm²



PA 66



- Contacts of nickel-plated brass
- Screw and spring of stainless steel
- 4-figure marking on both sides
- To be used with insulated flat plugs
- For recessed cross-connections
- The 6.3 mm tabs are divided into two 2.8 mm wide tabs, i.e. they may be used for 6.3 mm as well as for 2.8 mm wide flat plugs.



Article numbers

Ratings	0.5-2.5 mm ² 660V/24A	18-12 AWG 600V/20A	0.5-2.5 mm ² 660V/24A	18-12 AWG 600V/20A	0.5-2.5 mm ² 660V/24A	18-12 AWG 600V/20A
	2/4 tabs on both sides		screw clamp on one side		2/4 tabs on both sides and on top	
grey	30138GR		30137GR		30143GR	

Technical data

Connecting capacity	mm		3.2 x 4.2
Clamping screw			M3
Central thread		M3	M3
Strip insulation	mm		10
Clamping couple for electric screw-driver	Nm		0.7
Packing unit	pcs	50	50

Accessories see pages 1.1.71 to 1.1.107

Test adaptors		80070 2737		80070 2737		/	
Marking accessories		3957/. 3958/. RB/6x12	8 labels 8 labels 2 labels	3957/. 3958/. RB/6x12	8 labels 8 labels 2 labels	3957/. 3958/. RB/6x12	8 labels 8 labels 2 labels
End barriers		30139		30139		30139	
Partitions		3506		3506		3506	
Push-in barriers		80255		80255		/	
Stoppers		3418		3418		3418	
Stoppers		30370		30370		30370	
Insulated cross-connections for 2, 3, 4, 5 or 10 terminals		81526/2 81526/3 81526/4 81526/5 81526/10		81526/2 81526/3 81526/4 81526/5 81526/10			
Connecting pins		81526		81526			
Links		3883/1M		3883/1M			
Links 2-part		30441		30441			
Terminal covers for 4, 5, 6, 7 or 8 terminals		3886/4 3886/5 3886/6 3886/7 3886/8		3886/4 3886/5 3886/6 3886/7 3886/8			
Fastening screws		17402		17402 / 01068			
Sealing eyelets		81440		81440			

Terminals for busbar

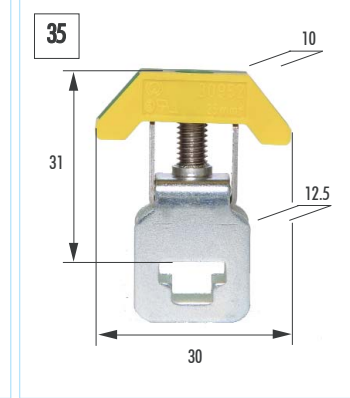
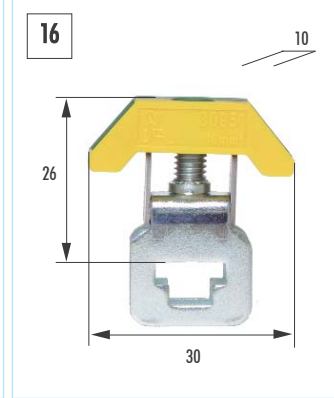
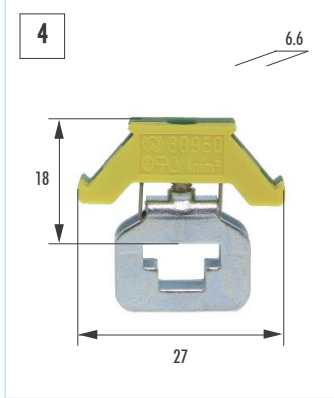
4-35 mm²



PA 66



- For insertion on copper busbars 10 x 2 mm, 10 x 3 mm and 6 x 6 mm
- Brackets and screws of stainless steel
- Pressure part of stainless steel
- Insulating part of polyamide 66, halogen-free
- Marking on both sides with labels RB/6x9



Article numbers

Ratings	0.5-4 mm ² 32A	24-12 AWG	2.5-16 mm ² 76A	18-6 AWG	4-35 mm ² 125A	14-2 AWG
grey	30950GR		30951GR		30952GR	
blue	30950BL		30951BL		30952BL	
green and yellow	30950E		30951E		30952E	

Technical data

Clamping screws		M3		M5		M5
Strip insulation	mm	12		15		15
Clamping couple for electric screw-driver	Nm	0.8		2.8		3.4
Packing unit	pcs	100		100		100

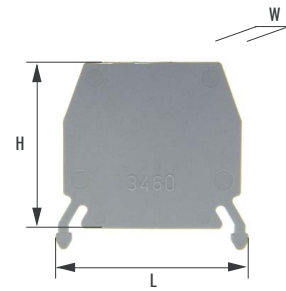
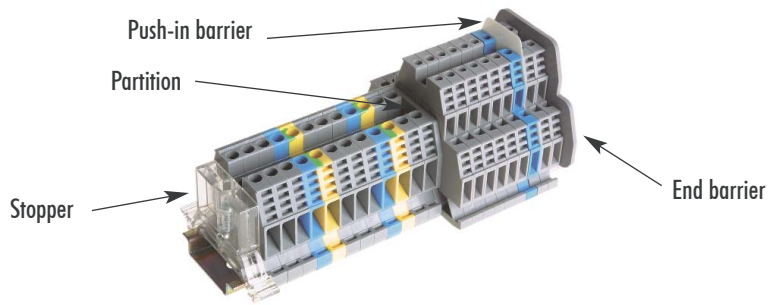
Accessories see pages 1.1.71 to 1.1.107

Marking accessories	RB/6x9	2 labels	RB/6x9	2 labels	RB/6x9	2 labels
Busbars of tinned electrolytic copper length 1m						
10 x 2 mm	3859		3859		3859	
10 x 3 mm	3856		3856		3856	
6 x 6 mm	30955		30955		30955	
Cover to busbar 10 x 2 and 10 x 3 mm	81445		81445		81445	
Cover clips	81446		81446		81446	
Busbar carrier 12 mm wide, of polyamide 66 grey for clipping on mounting rail according to EN 60715 TH 35 or for screwing on with two M4 screws, suitable for all three busbars						
Busbar carrier, high H1 35 mm, H2 38 mm	30956		30956		30956	
Busbar carrier, low H1 20 mm, H2 23 mm	30957		30957		30957	



Accessories	pages 1.1.71 to 1.1.107
End barriers	1.1.72-1.1.74
Partitions	1.1.75-1.1.77
Push-in barriers	1.1.77
Stoppers and stop pieces	1.1.78
Insulated cross-connections and accessories	1.1.79-1.1.84
Cross-junction racks	1.1.85-1.1.86
Terminal covers and accessories	1.1.87-1.1.91
Protection against accidental contact	1.1.92
Covers for single terminals	1.1.93
Covers to cross-connectors	1.1.94
Disconnecting plugs and component plugs	1.1.95
Diode plugs and fuse plugs	1.1.96
Busbars and accessories	1.1.97
Test plugs	1.1.98-1.1.99
Marking accessories	1.1.100-1.1.104
Rails and accessories	1.1.105-1.1.107

End barriers



End barriers to terminal series Compact

Article number	Illustration	Technical data	for terminals
3411		of polyamide 66, grey Packing unit: 100 pcs W=2mm, L=74mm, H=64mm	Two-step terminals 6mm ² series 3410
3431		of polyamide 66, grey Packing unit: 100 pcs W=2mm, L=62mm, H=49mm	Two-step terminals 2.5mm ² series 30860 Two-step terminals 4mm ² series 3430
3460		of polyamide 66, grey Packing unit: 100 pcs W=2mm, L=37mm, H=35mm	Basic terminals 2.5mm ² series 30150 Basic terminals 4mm ² series 3450 Thermocouple terminals 2.5mm ² series 30880 Disconnecting terminals 2.5mm ² series 30800
3464		of polyamide 66, grey Packing unit: 100 pcs W=2mm, L=45mm, H=41mm	Basic terminals 6-16mm ² series 3452/6, 3452/10, 3452/16
30406		of polyamide 66, grey Packing unit: 100 pcs W=2mm, L=65mm, H=44mm	Three-step terminals for proximity switches 2.5mm ² Art. No. 30400
30407		of polyamide 66, grey Packing unit: 100 pcs W=2mm, L=87mm, H=44mm	Three-step terminals for proximity switches 2.5mm ² Art. No. 30403
30438		of polyamide 66, grey Packing unit: 100 pcs W=2mm, L=89mm, H=50mm	Three-step installation terminals 4mm ² Art. No. 30431/1, Art. No. 30431/2, Art. No. 30432
30439		of polyamide 66, blue Packing unit: 100 pcs W=2mm, L=89mm, H=50mm with rail holder	Three-step installation terminals 4mm ² Art. No. 30430
30811		of polyamide 66, grey Packing unit: 100 pcs W=1.5mm, L=42mm, H=56mm	Return terminal 2.5mm ² Art. No. 30810



End barriers to terminal series Compact

Article number	Illustration	Technical data	for terminals
30892		of polyamide 66, grey Packing unit: 100 pcs W=1.5mm, L=73.5mm, H=59mm	Two-step terminals with disconnecting function Art. No. 30890, Art. No. 30891
30913		of polyamide 66, grey Packing unit: 100 pcs W=1.5mm, L=45mm, H=41.5mm	Y-terminals 2.5+4mm ² series 30903, series 30904
30945		of polyamide 66, black Packing unit: 100 pcs W=2.5mm, L=71mm, H=46mm	Fuse terminals 4mm ² series 30935
30983		of polyamide 66, grey Packing unit: 100 pcs W=1.5mm, L=54mm, H=41.5mm	X-terminal 2.5mm ² series 30973



End barriers to terminal series Comfort

3474BL		of polyamide 66, pale blue Packing unit: 100 pcs W=4.5mm, L=67mm, H1=52mm, H2=33mm with busbar holder	Detachable neutral conductor / neutral disconnecting terminal 4+6mm ² Art. No. 3472BL, 3477BL, 30197, 30200
3475BL		of polyamide 66, pale blue Packing unit: 100 pcs W=4.5mm, L=70mm, H1=52mm, H2=33mm with busbar holder	Detachable neutral conductor / neutral disconnecting terminal 16mm ² Art. No. 3473BL
3516		of polyamide 66, grey Packing unit: 100 pcs W=2mm, L=49mm, H=45mm	Terminals for stringent demands 4+6mm ² Series 3424, series 3425
3517		of polyamide 66, grey Packing unit: 100 pcs W=2mm, L=52mm, H=51mm	Terminals for stringent demands 10mm ² Series 3426
3518		of polyamide 66, grey Packing unit: 100 pcs W=2mm, L=55mm, H=55mm	Terminals for stringent demands 16mm ² Series 3427
3519		of polyamide 66, grey Packing unit: 100 pcs W=2mm, L=60mm, H=71mm	Terminals for stringent demands 35mm ² Series 3428

End barriers



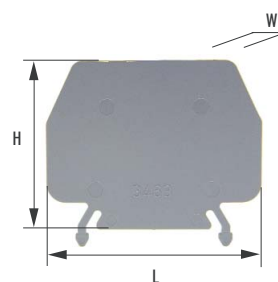
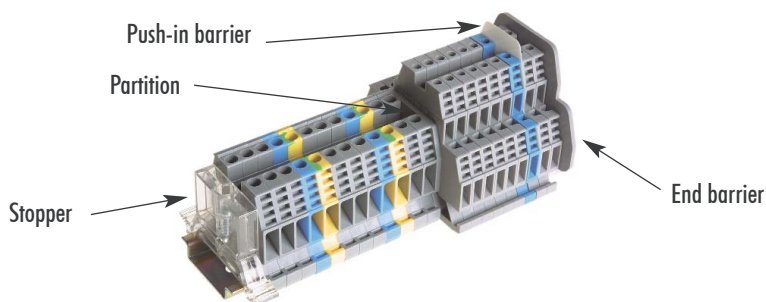
End barriers to terminal series Comfort

Article number	Illustration	Technical data	for terminals
30025		of polyamide 66, grey Packing unit: 100 pcs W=2mm, L=68mm, H=49mm	Fuse terminals 10mm ² Art. No. 30003, 30005, 30008, 30009
30112		of polyamide 66, grey Packing unit: 100 pcs W=2mm, L=46mm, H=42.5mm	Terminals for stringent demands 2.5mm ² Series 30128, Art. No. 30123, 30124, 30127, 30130
30158		of polyamide 66, grey Packing unit: 50 pcs W=2mm, L=91mm, H=47mm	Universal test terminal 10mm ² Art. No. 30146
30159		of polyamide 66, grey Packing unit: 50 pcs W=2mm, L=75mm, H=49mm	Disconnecting terminals and fuse terminals 10mm ² Art. No. 30168, 30172, 30176, 30191, 30195, 30228
30311		of polyamide 66, grey Packing unit: 100 pcs W=2mm, L=46mm, H=34.5mm	Disconnecting terminals 2.5mm ² Art. No. 30870, 30870P



End barriers to special terminals

3444		of polyamide 66, grey Packing unit: 100 pcs W=2mm, L=60mm, H=31mm	Terminal for flat push-on connectors 2.5mm ² Art. No. 3440GR
30139		of polyamide 66, grey Packing unit: 50 pcs W=2mm, L=50mm, H=42.5mm	Terminal for flat push-on connectors 2.5mm ² Art.No. 30137GR, 30138GR, 30143GR



Partitions to terminal series Compact

Article number	Illustration	Technical data	for terminals
3412		of polyamide 66, grey Packing unit: 100 pcs W=2mm, L=84mm, H=69mm	Two-step terminals 2.5+4mm ² series 3410
3432		of polyamide 66, grey Packing unit: 100 pcs W=2mm, L=72mm, H=54mm	Two-step terminals 2.5+4mm ² series 30860, series 3430
3461		of polyamide 66, grey Packing unit: 100 pcs W=2mm, L=47mm, H=40.5mm	Basic terminals 2.5+4mm ² series 30150, series 3450 Disconnecting terminals for plug 2.5mm ² , Art. No. 30800, Art. No. 30800P
3465		of polyamide 66, grey Packing unit: 100 pcs W=2mm, L=55mm, H=46mm	Basic terminals 6-16mm ² series 3452/6, 3452/10, 3452/16
30296		of polyamide 66, pale blue Packing unit: 100 pcs W=3mm, L=62mm, H=38.5mm with busbar holder	Detachable neutral connectors / neutral disconnecting terminals 4mm ² Art. No. 30290
30297		of polyamide 66, pale blue Packing unit: 100 pcs W=3mm, L=66mm, H=38.5mm with busbar holder	Detachable neutral connectors / neutral disconnecting terminals 6mm ² Art. No. 30291
30321		of polyamide 66, grey Packing unit: 50 pcs W=2mm, L=56mm, H=39mm	Miniature fuse terminals 4mm ² series 30930

Partitions



Partitions to terminal series Comfort

Article number	Illustration	Technical data	for terminals
3506		of polyamide 66, grey Packing unit: 100 pcs W=2mm, L=55mm, H=50mm	Terminals for stringent demands 2.5-6mm ² Series 30128, series 3424, series 3425 Disconnecting terminals Art. No. 30123, Art. No. 30124, Art. No. 30127, Art. No. 30130
3507		of polyamide 66, grey Packing unit: 100 pcs W=2mm, L=60mm, H=56mm	Terminals for stringent demands 10mm ² Series 3426
3508		of polyamide 66, grey Packing unit: 100 pcs W=2mm, L=60mm, H=60mm	Terminals for stringent demands 16mm ² Series 3427
3509		of polyamide 66, grey Packing unit: 100 pcs W=2mm, L=68mm, H=76mm	Terminals for stringent demands 35mm ² Series 3428
30321		of polyamide 66, grey Packing unit: 50 pcs W=2mm, L=56mm, H=39mm	Disconnecting knife terminals 2.5mm ² Art. No. 30870, Art. No. 30870P



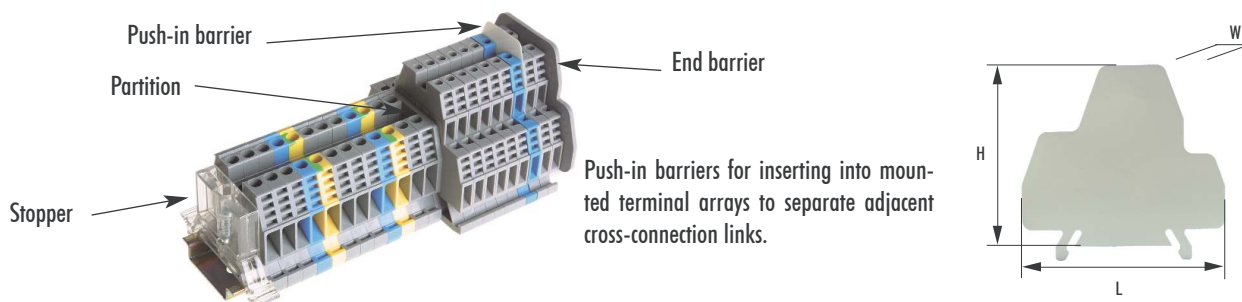
Partitions to stud terminals

3497		of polyamide 66, grey. Packing unit: 50 pcs W=6mm, L=125mm, H=70mm Pure partition, without molded threaded bolt. 6-figure marking on both sides with labels 3x6mm 3957/. or 3958/.	Stud terminals 95 + 150mm ² series 30286M8, series 30286M10 Conductor terminal 95mm ² series 30285M8
3497M5		of polyamide 66, grey. Packing unit: 50 pcs W=6mm, L=125mm, H=80mm Partition, with molded threaded bolt M5 and knurled nut Ø 16 mm of plastic for fastening a terminal cover. Marking see 3497.	Stud terminals 95 + 150mm ² series 30286M8, series 30286M10 Conductor terminal 95mm ² series 30285M8
3499		of polyamide 66, grey. Packing unit: 10 pcs W=6mm, L=200mm, H=89mm Pure partition, without molded threaded bolts. 6-figure marking on both sides with labels 3x6mm 3957/. or 3958/.	Stud terminals 240mm ² series 30286M12 Conductor terminal 240mm ² series 30285M12
3499M5		of polyamide 66, grey. Packing unit: 50 pcs W=6mm, L=200mm, H=99mm Partition, with molded threaded bolt M5 and knurled nut Ø 16 mm of plastic for fastening a terminal cover. Marking see 3499.	Stud terminals 240mm ² series 30286M12 Conductor terminal 240mm ² series 30285M12



Partitions to special terminals

Article number	Illustration	Technical data	for terminals
3445		of polyamide 66, grey Packing unit: 100 pcs W=2mm, L=70mm, H=36mm	Terminals for flat push-on connectors 2.5mm ² Art. No. 3440GR
3506		of polyamide 66, grey Packing unit: 100 pcs W=2mm, L=55mm, H=50mm	Terminals for flat push-on connectors 2.5mm ² Art. No. 30137GR, Art. No. 30138GR, Art. No. 30143GR



Push-in barriers to terminal series Compact

30893		of polyester, white Dielectric strength: 280 kV/mm according to ASTM D-149-64 Packing unit: 200 pcs W=0.5mm, L=83mm, H=62mm	Two-step terminals with disconnecting function 2.5mm ² Art. No. 30890, Art. No. 30891
80254		of polyester, white Dielectric strength: 280 kV/mm according to ASTM D-149-64 Packing unit: 100 pcs W=0.35mm, L=62mm, H=55.5mm	Two-step terminals 2.5-4mm ² series 30860, series 3430
80256		of polyester, white Dielectric strength: 280 kV/mm according to ASTM D-149-64 Packing unit: 100 pcs W=0.35mm, L=37mm, H=40mm	Basic terminals 2.5-4mm ² series 30150, series 3450



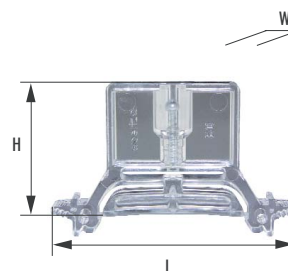
Push-in barriers for series Comfort and for special terminals

80255		of polyester, white Dielectric strength: 280 kV/mm according to ASTM D-149-64 Packing unit: 100 pcs W=0.35mm, L=45mm, H=49.5mm	Terminals for stringent demands 2.5-6mm ² series 30128, series 3424, series 3425, Terminals for flat push-on connectors 2.5mm ² Art. No. 30138GR, Art. No. 30137GR

Stoppers and stop pieces



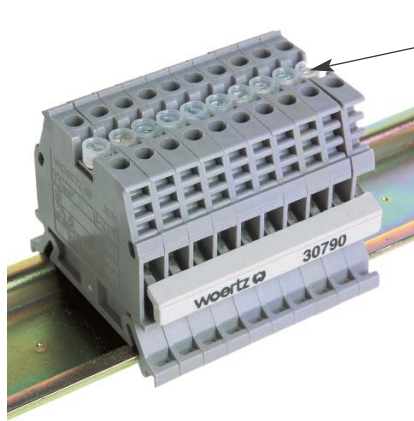
To prevent terminal blocks from sliding along the rail, stoppers or stop pieces have to be clipped on both ends. Several versions of different sizes are available. They are made of macrolon, nickel-plated brass or aluminum alloy, with base element to DIN rails. Terminal height and width determine the choice of the suitable stopper.



Stoppers and stop pieces to terminal series Compact and Comfort and to special and branching terminals

Article number	Illustration	Technical data
3418		<p>Stopper of macrolon with combined recessed-head screw \varnothing 3x12mm Phillips No. 1, slot No. 3, torque 0.8 Nm Packing unit: 50 pcs W=7.5mm, L=56mm, H=30mm</p>
30370		<p>Stopper of nickel-plated brass with screw M3, torque 0.8 Nm Packing unit: 100 pcs W=6mm, L=50mm, H=23mm</p>
30199		<p>Stop piece of aluminum alloy with push-in barrier of plastic with screw M3, torque 0.8 Nm Packing unit: 25 pcs W=12mm, L=50mm, H=50mm</p>

Insulated cross-connections and accessories







insulated cross-connections







To be screwed in connecting bars. Cross-connections are used to jumper adjacent terminals. They are of nickel-plated brass. Complete cross-connections are available with connecting pins, screws, washers and spacer sleeves. They are protected against accidental contact with insulated screw heads. Standard separable versions: 2-, 3-, 4-, 5- and 10-part.






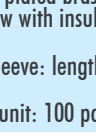
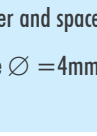



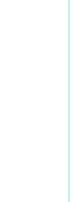
Insulated cross-connections to terminal series Compact and to special terminals

Article number	Description Illustration	Technical data	for terminals
81505/2 81505/3 81505/4 81505/5 81505/10	Cross-connections 2-part 3-part 4-part 5-part 10-part	6mm wide 1mm thick Hole $\varnothing = 3\text{mm}$ Complete, with screws, washers and spacer sleeves Packing unit: 10 pcs	Basic terminals 2.5mm ² series 30150 Y-terminals 2.5mm ² series 30903 X-terminals 2.5mm ² series 30973
81505	Separate connecting pin 	of nickel-plated brass with screw with insulated head, washer and spacer sleeve Spacer sleeve: length = 10.5mm, outside $\varnothing = 4\text{mm}$ Screw M2.5x16 Packing unit: 100 pcs	
30408	Links 	of nickel-plated brass for connecting two adjacent cross-connection links without pin Packing unit: 50 pcs	
81506/2 81506/3 81506/4 81506/5 81506/10	Cross-connections 2-part 3-part 4-part 5-part 10-part	8mm wide 1mm thick Hole $\varnothing = 3.5\text{mm}$ Complete, with screws, washers and spacer sleeves Packing unit: 10 pcs	Basic terminals 4mm ² series 3450 Y-terminals 4mm ² series 30904
81506	Separate connecting pin 	of nickel-plated brass with screw with insulated head, washer and spacer sleeve Spacer sleeve: length = 10.5mm, outside $\varnothing = 4\text{mm}$ Screw M3x17 Packing unit: 100 pcs	
81410L	Links 	of nickel-plated brass for connecting two adjacent cross-connection links without pin Packing unit: 100 pcs	



Insulated cross-connections and accessories

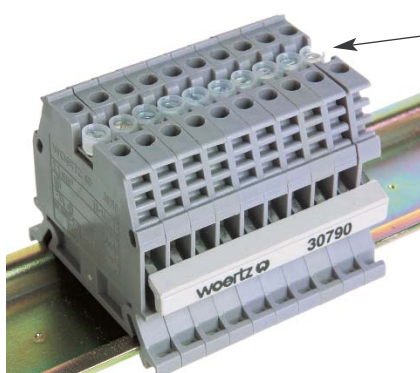
Article number	Description Illustration	Technical data	for terminals
81507/2	Cross-connections 2-part	7.5mm wide 1.5mm thick Hole $\varnothing = 3.5\text{mm}$	Basic terminals 6mm ² series 3452/6 Two-step terminals 6mm ² series 3410
81507/3	3-part	Complete, with screws, washers and spacer sleeves	
81507/4	4-part	Packing unit: 10 pcs	
81507/5	5-part		
81507/10	10-part		
81506	Separate connecting pin 	of nickel-plated brass with screw with insulated head, washer and spacer sleeve Spacer sleeve: length = 10.5mm, outside $\varnothing = 4\text{mm}$ Screw M3x17 Packing unit: 100 pcs	
81452L	Links 	of nickel-plated brass for connecting two adjacent cross-connection links without pin Packing unit: 100 pcs	
81508/2	Cross-connections 2-part	8mm wide 1.5mm thick Hole $\varnothing = 3.5\text{mm}$	Basic terminals 10mm ² series 3452/10
81508/3	3-part	Complete, with screws, washers and spacer sleeves	
81508/4	4-part	Packing unit: 10 pcs	
81508/5	5-part		
81508/10	10-part		
81508	Separate connecting pin 	of nickel-plated brass with screw with insulated head, washer and spacer sleeves Spacer sleeve: length = 13.5mm, outside $\varnothing = 5\text{mm}$ Screw M3x20 Packing unit: 100 pcs	
81412L	Links 	of nickel-plated brass for connecting two adjacent cross-connection links without pin Packing unit: 100 pcs	
81525/2	Cross-connections 2-part	6mm wide 1mm thick Hole $\varnothing = 3\text{mm}$	Two-step terminals 2.5mm ² series 30860 Return terminal 2.5mm ² Art. No. 30810
81525/3	3-part	Complete, with screws, washers and spacer sleeves	
81525/4	4-part	Packing unit: 10 pcs	
81525/5	5-part		
81525/10	10-part		
81525	Separate connecting pin 	of nickel-plated brass with screw with insulated head, washer and spacer sleeve Spacer sleeve: length = 9.5mm, outside $\varnothing = 4\text{mm}$ Screw M2.5x16 Packing unit: 100 pcs	
30408	Links 	of nickel-plated brass for connecting two adjacent cross-connection links without pin Packing unit: 50 pcs	

Insulated cross-connections and accessories

Article number	Description Illustration	Technical data	for terminals
81526/2	Cross-connections 	6mm wide 1mm thick Hole $\varnothing = 3.5\text{mm}$ Complete, with screws, washers and spacer sleeves Packing unit: 10 pcs	Two-step terminals 4mm ² series 3430, 3430/1P Two-step terminals with disconnecting function 2.5mm ² Art. No. 30890, Art. No. 30891 Terminals for flat push-on connectors 2.5mm ² Art. No. 30138GR, Art. No. 30137GR
81526/3			
81526/4			
81526/5			
81526/10			
81526	Separate connecting pin 	of nickel-plated brass with screw with insulated head, washer and spacer sleeve Spacer sleeve: length = 9mm, outside $\varnothing = 4\text{mm}$ Screw M3x14 Packing unit: 100 pcs	
30441	Links 	of nickel-plated brass for connecting two adjacent cross-connection links without pin Packing unit: 100 pcs	
81535/2	Cross-connections 	6mm wide 1mm thick Hole $\varnothing = 3\text{mm}$ Complete, with screws, washers and spacer sleeves Packing unit: 10 pcs	Three-step terminals for proximity switches 2.5mm ² Series 30400, 30403
81535/3			
81535/4			
81535/5			
81535/10			
81535	Separate connecting pin 	of nickel-plated brass with screw with insulated head, washer and spacer sleeve Spacer sleeve: length = 4mm, outside $\varnothing = 4\text{mm}$ Screw M2.5x8	
30408	Links 	of nickel-plated brass for connecting two adjacent cross-connection links without pin Packing unit: 50 pcs	
81536/2	Cross-connections 	6mm wide 1mm thick Hole $\varnothing = 3\text{mm}$ Complete, with screws, washers and spacer sleeves Packing unit: 10 pcs	Three-step installation terminals 4mm ² series 30430, 30431/1, 30431/2, 30432
81536/3			
81536/4			
81536/5			
81536/10			
81536	Separate connecting pin 	of nickel-plated brass with screw with insulated head, washer and spacer sleeve Spacer sleeve: length = 4mm, outside $\varnothing = 4\text{mm}$ Screw M2.5x10 Packing unit: 100 pcs	
30441	Links 	of nickel-plated brass for connecting two adjacent cross-connection links without pin Packing unit: 100 pcs	

Insulated cross-connections and accessories

Article number	Description Illustration	Technical data	for terminals
81541/2	Cross-connections 2-part	9mm wide 3mm thick Hole $\varnothing = 4.5\text{mm}$ Complete, with screws, washers and spacer sleeves Packing unit: 10 pcs	Basic terminals 16mm ² series 3452/16
81541/3	3-part		
81541/4	4-part		
81541/5	5-part		
81541/10	10-part		
81541	Separate connecting pin 	of nickel-plated brass with screw with insulated head, washer and spacer sleeve Spacer sleeve: length = 12.2mm, outside $\varnothing = 6\text{mm}$ Screw M4x24 Packing unit: 100 pcs	
81414L	Links 	of nickel-plated brass for connecting two adjacent cross-connection links without pin Packing unit: 100 pcs	





insulated cross-connections







To be screwed in connecting bars. Cross-connections are used to jumper adjacent terminals. They are of nickel-plated brass. Complete cross-connections are available with connecting pins, screws, washers and spacer sleeves. They are protected against accidental contact with insulated screw heads. Standard separate versions: 2-, 3-, 4-, 5- and 10-part.







Insulated cross-connections to terminal series Comfort

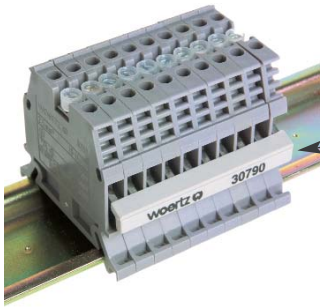
Article number	Description Illustration	Technical data	for terminals
81501/2	Cross-connections 2-part	9mm wide 3mm thick Hole $\varnothing = 4.5\text{mm}$ Complete, with screws, washers and spacer sleeves Packing unit: 10 pcs	Terminals for stringent demands 16mm ² series 3427
81501/3	3-part		
81501/4	4-part		
81501/5	5-part		
81501/10	10-part		
81501	Separate connecting pin 	of nickel-plated brass with screws with insulated head, washer and spacer sleeve Spacer sleeve: length = 15.5mm, outside $\varnothing = 6\text{mm}$ Screw M4x25 Packing unit: 100 pcs	
81414L	Links 	of nickel-plated brass for connecting two adjacent cross-connection links without pin Packing unit: 100 pcs	

Insulated cross-connections and accessories

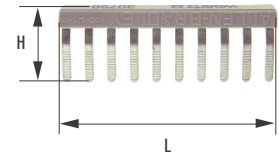
Article number	Description Illustration	Technical data	for terminals
81504/2 81504/3 81504/4 81504/5 81504/10	Cross-connections 2-part 3-part 4-part 5-part 10-part	10mm wide 3.5mm thick Hole $\varnothing = 4.5\text{mm}$ Complete, with screws, washers and spacer sleeves Packing unit: 10 pcs	Terminals for stringent demands 35mm ² series 3428
81504	Separate connecting pin  of nickel-plated brass with screw with insulated head, washer and spacer sleeve Spacer sleeve: length = 20mm, outside $\varnothing = 8\text{mm}$ Screw M4x32 Packing unit: 100 pcs		
81415L	Links  of nickel-plated brass for connecting two adjacent cross-connection links without pin Packing unit: 100 pcs		
81546/2 81546/3 81546/4 81546/5 81546/10	Cross-connections 2-part 3-part 4-part 5-part 10-part	8mm wide 1mm thick Hole $\varnothing = 3.5\text{mm}$ Complete, with screws, washers and spacer sleeves Packing unit: 10 pcs	Terminals for stringent demands 2.5mm ² series 30128
81546	Separate connecting pin  of nickel-plated brass with screw with insulated head, washer and spacer sleeve Spacer sleeve: length = 13.5mm, outside $\varnothing = 4\text{mm}$ Screw M3x18 Packing unit: 100 pcs		
81410L	Links  of nickel-plated brass for connecting two adjacent cross-connection links without pin Packing unit: 100 pcs		
81548/2 81548/3 81548/4 81548/5 81548/10	Cross-connections 2-part 3-part 4-part 5-part 10-part	8mm wide 1.5mm thick Hole $\varnothing = 3.5\text{mm}$ Complete, with screws, washers and spacer sleeves Packing unit: 10 pcs	Terminals for stringent demands 6mm ² series 3425
81548	Separate connecting pin  of nickel-plated brass with screw with insulated head, washer and spacer sleeve Spacer sleeve: length = 11.5mm, outside $\varnothing = 5\text{mm}$ Screw M3x18 Packing unit: 100 pcs		
81412L	Links  of nickel-plated brass for connecting two adjacent cross-connection links without pin Packing unit: 100 pcs		

Insulated cross-connections and accessories

Article number	Description Illustration	Technical data	for terminals
81549/2	Cross-connections 2-part	8mm wide 1.5mm thick Hole $\varnothing = 3.5\text{mm}$ Complete, with screws, washers and spacer sleeves Packing unit: 10 pcs	Terminals for stringent demands 10mm ² series 3426
81549/3	3-part		
81549/4	4-part		
81549/5	5-part		
81549/10	10-part		
81549	Separate connecting pin 	of nickel-plated brass with screw with insulated head, washer and spacer sleeve Spacer sleeve: length = 13.5mm, outside $\varnothing = 5\text{mm}$ Screw M3x20 Packing unit: 100 pcs	
81413L	Links 	of nickel-plated brass for connecting two adjacent cross-connection links without pin Packing unit: 100 pcs	
81556/2	Cross-connections 2-part	8mm wide 1mm thick Hole $\varnothing = 3.5\text{mm}$ Complete, with screws, washers and spacer sleeves Packing unit: 10 pcs	Terminals for stringent demands 4mm ² series 3424
81556/3	3-part		
81556/4	4-part		
81556/5	5-part		
81556/10	10-part		
81556	Separate connecting pin 	of nickel-plated brass with screw with insulated head, washer and spacer sleeve Spacer sleeve: length = 11.5mm, outside $\varnothing = 4\text{mm}$ Screw M3x18 Packing unit: 100 pcs	
80410L	Links 	of nickel-plated brass for connecting two adjacent cross-connection links without pin Packing unit: 100 pcs	



Cross-junction racks to be inserted into terminal opening from front side




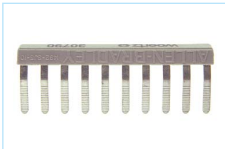
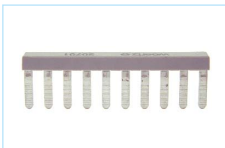

Cross-junction racks to terminal series Compact

Article number	Illustration	Technical data	for terminals
30413BL 30413RO		of nickel-plated copper, 20-part with insulating tape, can be cut to any desired length with cutting tool grid 5.08mm, L=101.6mm, H=17mm Packing unit: 100 pcs	Three-step terminals for proximity switches 2.5mm ² Art. No. 30400, Art. No. 30403
30414BL 30414RO		of nickel-plated copper, 22-part with insulating tape, can be cut to any desired length with cutting tool grid 5.08mm, L=111.76mm, H=17mm Packing unit: 100 pcs	Three-step terminals for proximity switches 2.5mm ² Art. No. 30400, Art. No. 30403
30790		of nickel-plated copper, 10-part with insulation of polyester, can be cut to any desired length with cutting tool L=49mm, H=16mm Packing unit: 100 pcs	Basic terminals 2.5mm ² series 30150 Y-terminals 2.5mm ² series 30903 X-terminals 2.5mm ² series 30973 Two-step terminals 2.5mm ² series 30860
30790/9		of nickel-plated copper, 10-part, can be cut to any desired length with cutting tool grid 9mm, L=85mm, H=17.5mm Insulation profile see below Packing unit: 100 pcs	Fuse terminals 4mm ² series 30935 for fuses 1/4"x1 1/4" (6.3x32mm)
30790/9IS		Insulation profile for cross-junction rack Art. No. 30790/9 can be cut to any desired length with cutting tool L=305mm Packing unit: 10 pcs	Fuse terminals 4mm ² series 30935 for fuses 1/4"x1 1/4" (6.3x32mm)
30790/17		of copper, with insulation of PVC can be cut to any desired length with cutting tool grid 17mm, L=1m Packing unit: 10 pcs	Fuse terminals 10mm ² series 30940 for fuses 13/32"x1 1/2" (10.3x38mm)
30791		of nickel-plated copper, 10-part with insulation of polyester, can be cut to any desired length with cutting tool L=58mm, H=16.5mm Packing unit: 100 pcs	Basic terminals 4mm ² series 3450 Y-terminals 4mm ² series 30904 Two-step terminals 4mm ² series 3430 Two-step terminals with disconnecting function 2.5mm ² Art. No. 30890, Art. No. 30891
30792		of nickel-plated copper, 10-part with insulation of polyester, can be cut to any desired length with cutting tool L=78mm, H=22mm Packing unit: 100 pcs	Basic terminals 10mm ² series 3452/10
30798		of nickel-plated copper, 10-part with insulation of polyester, can be cut to any desired length with cutting tool grid 8mm, L=78mm, H=13mm Packing unit: 100 pcs	Miniature fuse terminals 4mm ² series 30930 for fuses 5x20mm

Cross-junction racks




Cross-junction racks to terminal series Comfort

Article number	Illustration	Technical data	for terminals
30179		of nickel-plated brass, 10-part, can be cut to any desired length with cutting tool for clamping with screw head Packing unit: 50 pcs	Lateral disconnecting terminals 10mm ² Art. No. 30172
30790		of nickel-plated copper, 10-part with insulation of polyester, can be cut to any desired length with cutting tool L=49mm, H=16mm Packing unit: 100 pcs	Terminals for stringent demands 2.5mm ² series 30128 Knife disconnecting terminals 2.5mm ² Art. No. 30870, Art. No. 30870P
30791		of nickel-plated copper, 10-part with insulation of polyester, can be cut to any desired length with cutting tool L=58mm, H=16.5mm Packing unit: 100 pcs	Terminals for stringent demands 4mm ² series 3424
30792		of nickel-plated copper, 10-part with insulation of polyester, can be cut to any desired length with cutting tool L=78mm, H=22mm Packing unit: 100 pcs	Terminals for stringent demands 6mm ² series 3425

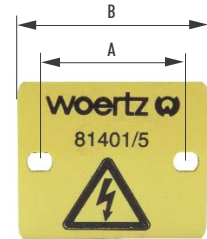


Cross-junction racks to special terminals

30420/20		of copper, tinned, 20-part (different number of parts on request), with insulating tape, can be cut to any desired length with cutting tool L=132mm, H=25mm Packing unit: 50 pcs	Terminal for flat push-on connectors 2.5mm ² Art. No. 3440GR



Some applications and codes require the connection terminals to be covered to prevent any accidental contact. Covers of yellow plastic with a warning arrow in black are available in different dimensions.





These covers are fixed on the central threads of the terminals with two fastening screws of polyamide 66. Covers available for 4, 5, 6, 7 or 8 terminals.




Sealing eyelets can be used to avoid any damage to the terminal covers.




Terminal covers to terminal series Compact and to special terminals

Article number	Description Illustration	Technical data	for terminals
3826/4 3826/5 3826/6 3826/7 3826/8	Terminal covers for 4 terminals for 5 terminals for 6 terminals for 7 terminals for 8 terminals	of plastic, yellow with black marking with 2 fastening screws of polyamide 66 Packing unit: 10 pcs 1mm thick, 24mm high 3826/4: A=21mm, B=29mm 3826/5: A=28mm, B=36mm 3826/6: A=35mm, B=43mm 3826/7: A=42mm, B=50mm 3826/8: A=49mm, B=57mm	Basic terminals 6mm ² series 3452/6 Two-step terminals 6mm ² series 3410
17402 01068 3512	Fastening screws Fastening screws Sealing screws	M3x22 of polyamide 66 M3x25 of polyamide 66 M3x25 of polyamide 66 Packing unit: 50 pcs	
81440	Sealing eyelets 	For bending over the heads of the fastening screws. Hole \varnothing = 3.2mm for fastening screws M2.5 and M3 Packing unit: 100 pcs	
3868/4 3868/5 3868/6 3868/7 3868/8	Terminal covers for 4 terminals for 5 terminals for 6 terminals for 7 terminals for 8 terminals	of plastic, yellow with black marking with 2 fastening screws of polyamide 66 Packing unit: 10 pcs 1mm thick, 30mm high 3868/4: A=33mm, B=44mm 3868/5: A=44mm, B=55mm 3868/6: A=55mm, B=66mm 3868/7: A=66mm, B=77mm 3868/8: A=77mm, B=88mm	Basic terminals 16mm ² series 3452/16
01162	Fastening screws	M4x30 of polyamide 66	
81441	Sealing eyelets 	For bending over the heads of the fastening screws. Hole \varnothing = 4.2mm for fastening screws M4 Packing unit: 100 pcs	

Terminal covers

Article number	Description Illustration	Technical data	for terminals	
3886/4	Terminal covers for 4 terminals	of plastic, yellow with black marking with 2 fastening screws of polyamide 66 Packing unit: 10 pcs 1mm thick, 24mm high 3886/4: A=18mm, B=26mm 3886/5: A=24mm, B=32mm 3886/6: A=30mm, B=38mm 3886/7: A=36mm, B=44mm 3886/8: A=42mm, B=50mm	Basic terminals 4mm ² series 3450 Y-terminals 4mm ² series 30904 Terminals for flat push-on connectors 2.5mm ² Art. No. 30138GR*, Art. No. 30137GR	
3886/5	for 5 terminals			
3886/6	for 6 terminals			
3886/7	for 7 terminals			
3886/8	for 8 terminals			
17402 01068	Fastening screws Fastening screws	M3x22 of polyamide 66 M3x25 of polyamide 66	* for Art. No. 30138GR use only fastening screws M3x22 Art. No. 17402	
3512	Sealing screws	M3x25 of polyamide 66 Packing unit: 50 pcs		
81440	Sealing eyelets 	For bending over the heads of the fastening screws. Hole $\varnothing = 3.2\text{mm}$ for fastening screws M2.5 and M3 Packing unit: 100 pcs		
3887/4	Terminal covers for 4 terminals	of plastic, yellow with black marking with 2 fastening screws of polyamide 66 Packing unit: 10 pcs 1mm thick, 24mm high 3887/4: A=24mm, B=32mm 3887/5: A=32mm, B=40mm 3887/6: A=40mm, B=48mm 3887/7: A=48mm, B=56mm 3887/8: A=56mm, B=64mm		Basic terminals 16mm ² series 3452/10
3887/5	for 5 terminals			
3887/6	for 6 terminals			
3887/7	for 7 terminals			
3887/8	for 8 terminals			
01068	Fastening screws	M3x25 of polyamide 66		
3512	Sealing screws	M3x25 of polyamide 66 Packing unit: 50 pcs		
81440	Sealing eyelets 	For bending over the heads of the fastening screws. Hole $\varnothing = 3.2\text{mm}$ for fastening screws M2.5 and M3 Packing unit: 100 pcs		
3894/4	Terminal covers for 4 terminals	of plastic, yellow with black marking with 2 fastening screws of polyamide 66 Packing unit: 10 pcs 1mm thick, 24 mm high 3894/4: A=18mm, B=26mm 3894/5: A=24mm, B=32mm 3894/6: A=30mm, B=38mm 3894/7: A=36mm, B=44mm 3894/8: A=42mm, B=50mm		Two-step terminals 4mm ² series 3430
3894/5	for 5 terminals			
3894/6	for 6 terminals			
3894/7	for 7 terminals			
3894/8	for 8 terminals			
01062	Fastening screws	M3x20 of polyamide 66		
3512	Sealing screws	M3x25 of polyamide 66 Packing unit: 50 pcs		
81440	Sealing eyelets 	For bending over the heads of the fastening screws. Hole $\varnothing = 3.2\text{mm}$ for fastening screws M2.5 and M3 Packing unit: 100 pcs		

Article number	Description Illustration	Technical data	for terminals
81401/4	Terminal covers for 4 terminals for 5 terminals for 6 terminals for 7 terminals for 8 terminals	of plastic, yellow with black marking with 2 fastening screws of polyamide 66 Packing unit: 10 pcs 1mm thick, 22mm high 81401/4: A=15mm, B=21mm 81401/5: A=20mm, B=26mm 81401/6: A=25mm, B=31mm 81401/7: A=30mm, B=36mm 81401/8: A=35mm, B=41mm	Basic terminals 2.5mm ² series 30150 Y-terminals 2.5mm ² series 30903 X-terminals 2.5mm ² series 30973 Two-step terminals 2.5mm ² series 30860
81401/5			
81401/6			
81401/7			
81401/8			
08569	Fastening screws	M2.5x20 of polyamide 66	
81440	Sealing eyelets 	For bending over the heads of the fastening screws. Hole $\varnothing = 3.2\text{mm}$ for fastening screws M2.5 and M3 Packing unit: 100 pcs	




Some applications and codes require the connection terminals to be covered to prevent any accidental contact. Covers of yellow plastic with a warning arrow in black are available in different dimensions.






These covers are fixed on the central threads of the terminals with two fastening screws of polyamide 66. Covers available for 4, 5, 6, 7 or 8 terminals. Sealing eyelets can be used to avoid any damage to the terminal covers.





Terminal covers to terminal series Comfort

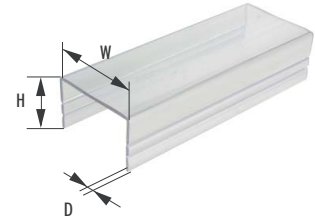
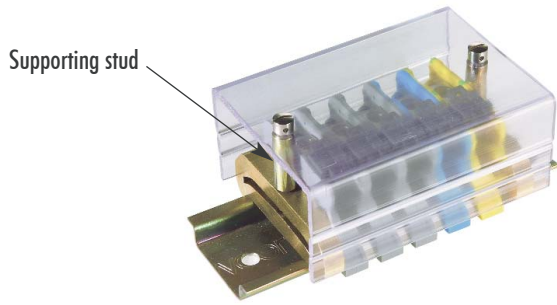
Article number	Description Illustration	Technical data	for terminals
3867/4	Terminal covers for 4 terminals for 5 terminals for 6 terminals for 7 terminals for 8 terminals	of plastic, yellow with black marking with 2 fastening screws of polyamide 66 Packing unit: 10 pcs 1mm thick, 30mm high 3867/4: A=27mm, B=35mm 3867/5: A=36mm, B=44mm 3867/6: A=45mm, B=53mm 3867/7: A=54mm, B=62mm 3867/8: A=63mm, B=71mm	Terminals for stringent demands 10mm ² series 3426
3867/5			
3867/6			
3867/7			
3867/8			
01068	Fastening screws	M3x25 of polyamide 66	
3512	Sealing screws	M3x25 of polyamide 66 Packing unit: 50 pcs	
81440	Sealing eyelets 	For bending over the heads of the fastening screws. Hole $\varnothing = 3.2\text{mm}$ for fastening screws M2.5 and M3 Packing unit: 100 pcs	

Terminal covers

Article number	Description Illustration	Technical data	for terminals
3868/4 3868/5 3868/6 3868/7 3868/8	Terminal covers for 4 terminals for 5 terminals for 6 terminals for 7 terminals for 8 terminals	of plastic, yellow with black marking with 2 fastening screws of polyamide 66 Packing unit: 10 pcs 1mm thick, 30mm high 3868/4: A=33mm, B=44mm 3868/5: A=44mm, B=55mm 3868/6: A=55mm, B=66mm 3868/7: A=66mm, B=77mm 3868/8: A=77mm, B=88mm	Terminals for stringent demands 16mm ² series 3427
01162	Fastening screws	M4x30 of polyamide 66	
81441	Sealing eyelets 	For bending over the heads of the fastening screws. Hole \varnothing = 4.2mm for fastening screws M4 Packing unit: 100 pcs	
3869/4 3869/5 3869/6 3869/7 3869/8	Terminal covers for 4 terminals for 5 terminals for 6 terminals for 7 terminals for 8 terminals	of plastic, yellow with black marking with 2 fastening screws of polyamide 66 Packing unit: 10 pcs 1mm thick, 37mm high 3869/4: A=42mm, B=53mm 3869/5: A=56mm, B=67mm 3869/6: A=70mm, B=81mm 3869/7: A=84mm, B=95mm 3869/8: A=98mm, B=109mm	Terminals for stringent demands 35mm ² series 3428
01165	Fastening screws	M4x35 of polyamide 66	
81441	Sealing eyelets 	For bending over the heads of the fastening screws. Hole \varnothing = 4.2mm for fastening screws M4 Packing unit: 100 pcs	
3886/4 3886/5 3886/6 3886/7 3886/8	Terminal covers for 4 terminals for 5 terminals for 6 terminals for 7 terminals for 8 terminals	of plastic, yellow with black marking with 2 fastening screws of polyamide 66 Packing unit: 10 pcs 1mm thick, 24mm high 3886/4: A=18mm, B=26mm 3886/5: A=24mm, B=32mm 3886/6: A=30mm, B=38mm 3886/7: A=36mm, B=44mm 3886/8: A=42mm, B=50mm	Terminals for stringent demands 4mm ² series 3424
01068	Fastening screws	M3x25 of polyamide 66	
3512	Sealing screws	M3x25 of polyamide 66 Packing unit: 50 pcs	
81440	Sealing eyelets 	For bending over the heads of the fastening screws. Hole \varnothing = 3.2mm for fastening screws M2.5 and M3 Packing unit: 100 pcs	

Article number	Description Illustration	Technical data	for terminals	
3887/4 3887/5 3887/6 3887/7 3887/8	Terminal covers for 4 terminals for 5 terminals for 6 terminals for 7 terminals for 8 terminals	of plastic, yellow with black marking with 2 fastening screws of polyamide 66 Packing unit: 10 pcs 1mm thick, 24mm high 3887/4: A=24mm, B=32mm 3887/5: A=32mm, B=40mm 3887/6: A=40mm, B=48mm 3887/7: A=48mm, B=56mm 3887/8: A=56mm, B=64mm	Terminals for stringent demands 6mm ² series 3425	
01068	Fastening screws	M3x25 of polyamide 66		
3512	Sealing screws	M3x25 of polyamide 66 Packing unit: 50 pcs		
81440	Sealing eyelets 	For bending over the heads of the fastening screws. Hole $\varnothing = 3.2\text{mm}$ for fastening screws M2.5 and M3 Packing unit: 100 pcs		
81427 81428 81429 81430 81431	Terminal covers for 4 terminals for 5 terminals for 6 terminals for 7 terminals for 8 terminals	of plastic, yellow with black marking with 2 fastening screws of polyamide 66 Packing unit: 10 pcs 1mm thick, 24mm high 81427: A=18mm, B=26mm 81428: A=24mm, B=32mm 81429: A=30mm, B=38mm 81430: A=36mm, B=44mm 81431: A=42mm, B=50mm		Terminals for stringent demands 2.5mm ² series 30128
17402	Fastening screws	M3x22 of polyamide 66		
81440	Sealing eyelets 	For bending over the heads of the fastening screws. Hole $\varnothing = 3.2\text{mm}$ for fastening screws M2.5 and M3 Packing unit: 100 pcs		

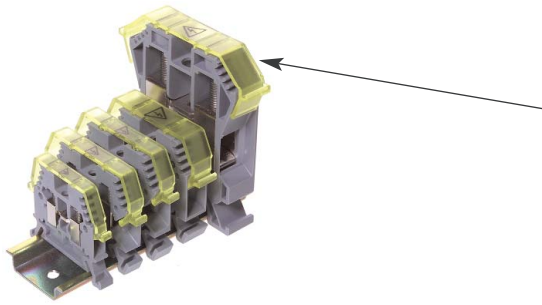
Protection against accidental contact



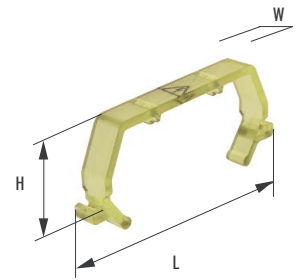
Protection against accidental contact for branching terminals

Article number	Illustration	Technical data	for terminals
80079/10		<p>of PVC, transparent with predetermined breaking points Delivered in lengths of 1m, to be cut and bored by customer D=2mm, W=54mm, H=32mm</p> <p>Packing unit: 18 pcs</p>	<p>Branching terminals 2.5mm² Art. No. 30840 and supporting studs Art. No. 80059/31</p> <p>Branching terminals 6mm² Art. No. 30841 and supporting studs Art. No. 80059/38</p> <p>Branching terminals 10mm² Art. No. 30842 and supporting studs Art. No. 80059/45</p> <p>Supporting studs have to be ordered separately, see page 1.1.106</p>
80079/35		<p>of PVC, transparent with predetermined breaking points Delivered in lengths of 1m, to be cut and bored by customer D=2mm, W=62mm, H=40mm</p> <p>Packing unit: 24 pcs</p>	<p>Branching terminals 16mm² Art. No. 30843 and supporting studs Art. No. 80059/45</p> <p>Branching terminals 35mm² Art. No. 30844 and supporting studs Art. No. 80059/55</p> <p>Supporting studs have to be ordered separately, see page 1.1.106</p>
80079/120		<p>of PVC, transparent with predetermined breaking points Delivered in lengths of 1m, to be cut and bored by customer D=2mm, W=84mm, H=52mm</p> <p>Packing unit: 16 pcs</p>	<p>Branching terminals 70mm² Art. No. 3468 and supporting studs Art. No. 80059/65</p> <p>Branching terminals 120mm² Art. No. 3469 and supporting studs Art. No. 80059/75</p> <p>Supporting studs have to be ordered separately, see page 1.1.106</p>

Warning plates for single terminals



Cover with warning sign printed in black



Warning plates to terminal series Compact

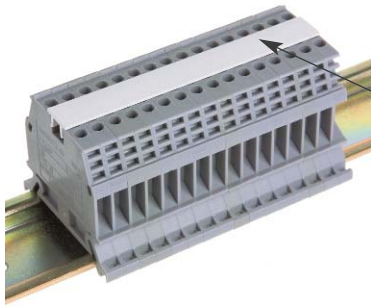
Article number	Illustration	Technical data	for terminals
80049/4		of PVC, transparent yellow with black marking W=5.6mm, L=47.8mm, H=18.6mm Packing unit: 10 pcs	Basic terminals 4mm ² series 3450
80049/6		of PVC, transparent yellow with black marking W=6.8mm, L=56.4mm, H=15.7mm Packing unit: 10 pcs	Basic terminals 6mm ² series 3452/6
80049/10		of PVC, transparent yellow with black marking W=7.8mm, L=56.4mm, H=15.7mm Packing unit: 10 pcs	Basic terminals 10mm ² series 3452/10
80049/16		of PVC, transparent yellow with black marking W=10.8mm, L=56.4mm, H=15.7mm Packing unit: 10 pcs	Basic terminals 16mm ² series 3452/16



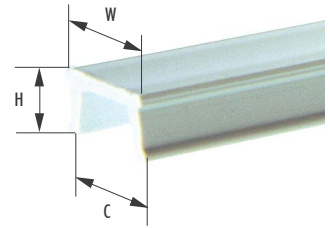
Warning plate to terminal series Comfort

80049/35		of PVC, transparent yellow with black marking W=12.8mm, L=71.2mm, H=15.35mm Packing unit: 10 pcs	Terminals for stringent demands 35mm ² series 3428

Covers to cross-connectors



Cover to cross-connector



Covers to cross-connectors for terminal series Compact

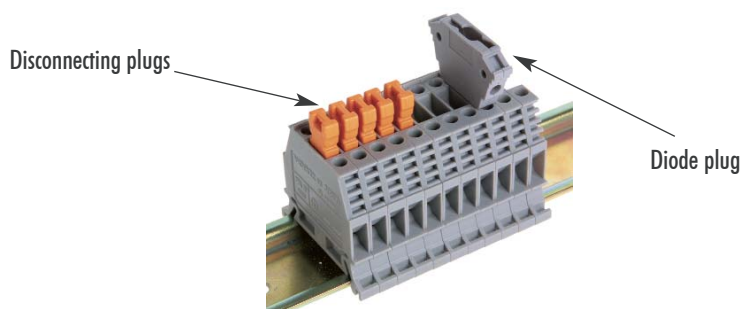
Article number	Illustration	Technical data	for terminals
30421		of thermoplastic, white H=4.55mm, W=9.5mm, C=6.6mm, 280mm long Protection against accidental contact, also usable for additional marking. Packing unit: 25 pcs	Basic terminals 2.5mm ² series 30150 Y-terminals 2.5mm ² series 30903 X-terminals 2.5mm ² series 30973 Two-step terminals 2.5mm ² series 30860 Two-step terminals 4mm ² series 3430



Covers to cross-connectors for series Compact and Comfort

30422		of thermoplastic, white H=4.55mm, W=9.5mm, C=9.4mm, 280mm long Protection against accidental contact, also usable for additional marking. Packing unit: 25 pcs	Basic terminals 4mm ² series 3450 Basic terminals 6mm ² series 3452/6 Basic terminals 10mm ² series 3452/10 Y-terminals 4mm ² series 30904 Terminals for stringent demands 2.5mm ² series 30128 Terminals for stringent demands 4mm ² series 3424 Terminals for stringent demands 6mm ² series 3425 Terminals for stringent demands 10mm ² series 3426

Disconnecting plugs and component plugs



Disconnecting plugs to terminal series Compact and Comfort

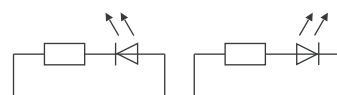
Article number	Illustration	Technical data	for terminals
3821		separate, orange 800V 20A 600 V 20A 600 V 20A Packing unit: 25 pcs Never handle plug when live!	Disconnecting terminals 2.5mm ² Art. No. 30800, Art. No. 30800P Two-step terminals 2.5mm ² Art. No. 30890, Art. No. 30891 Disconnecting terminals 2.5mm ² Art. No. 30123, Art. No. 30124, Art. No. 30127, Art. No. 30130



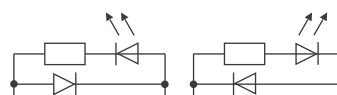
Component plugs to terminal series Compact and Comfort

30132		separate, grey Empty. Equipped on request (see examples) Can be attached to terminal only in one direction. Marking facilities on both sides with labels RB/5x5 Never handle plug when live!	Disconnecting terminals 2.5mm ² Art. No. 30800 Two-step terminals with disconnecting function 2.5mm ² Art. No. 30890, Art. No. 30891 Disconnecting terminals 2.5mm ² Art. No. 30127
-------	--	--	--

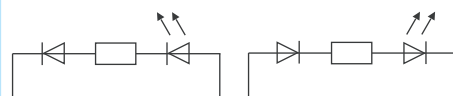
Example 1:
with red light emitting diode \varnothing 3mm
and with resistor



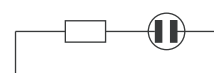
Example 2:
with red light emitting diode \varnothing 3mm
with resistor and with protective diode 1N 4007 mounted in parallel.
Application: voltage indication for relay with freewheel diode



Example 3:
with light emitting diode \varnothing 3mm, red
with resistor and with protective diode 1N 4007
for alternating voltage



Example 4:
with glow lamp for voltage indication and with resistor



Diode plugs and fuse plugs



Diode plugs to terminal series Compact and Comfort

Article number	Illustration	Technical data	for terminals
30133		separate, grey Can be attached to terminal only in one direction. Marking on both sides with labels RB/5x5 with mounted diode ($T_a = 25^\circ\text{C}$) Maximum reverse voltage: 1000V Maximum continuous current: (terminals arranged in array, used continuously) 0.7A Maximum surge current 30A Voltage drop across diode: $\sim 0.8\text{V}$ (max. 1.1V) Leakage current: $< 10\mu\text{A}$ (diode series 1N 4007)	Disconnecting terminals 2.5mm ² Art. No. 30800 Two-step terminals with disconnecting function 2.5mm ² Art. No. 30890, Art. No. 30891 Disconnecting terminals 2.5mm ² Art. No. 30127
30205		Mind marking on top of the plug. Never handle the plugs when live!	



Fuse plugs to terminal series Compact and Comfort

		separate, black Can be attached to terminal only in one direction. available with LED 24V or with LED 230V, which lights up when the fuse is damaged. 3-figure marking on both sides with labels 3957/., 3958/. or RB/6x9 The fuse plugs are delivered without fuse. Never handle plug when live!	Disconnecting terminals 2.5mm ² Art. No. 30800 Two-step terminals with disconnecting function 2.5mm ² Art. No. 30890, Art. No. 30891 Disconnecting terminals 2.5mm ² Art. No. 30127
30134		Art. No. 30134 without LED 250V max. 4A, for fuse 5x20mm, 6.3A 300 V 10A 300 V 10A	
without indicator			
30134/24		Art. No. 30134/24 AC: 15-30V / DC: 10-25V / Leakage current: 0.8-2mA 250V max. 4A, for fuse 5x20mm, 6.3A 300 V 10A 300 V 10A Mind marking on the sides and on top of the plug.	
with indicator with LED 24V			
30134/230		Art. No. 30134/230 AC: 80-250V / DC: 40-125V / Leakage current: 0.5-2mA 250V max. 4A, for fuse 5x20mm, 6.3A 300 V 10A 300 V 10A Mind marking on the sides and on top of the plug.	
with indicator with LED 230V			



Clamps to terminal series Comfort

Article number	Illustration	Technical data	for terminals
3838		for busbars for neutral conductors to connect a round Cu conductor 10-16mm ² (rigid) Clamping screw M5 Packing unit: 100 pcs	Detachable neutral conductors, neutral disconnecting terminals 4mm ² Art. No. 30290 6mm ² Art. No. 30291 4mm ² Art. No. 3472BL 6mm ² Art. No. 3477BL 16mm ² Art. No. 3473BL
3839		for busbars for neutral conductors to connect a round Cu conductor 25-35mm ² (flexible) Clamping screw M6 Packing unit: 50 pcs	4mm ² Art. No. 30197 6mm ² Art. No. 30200



Busbars to terminal series Compact and Comfort and to special terminals

3859		of tinned electrolytic copper length 1m 10x2mm Packing unit: 1 pcs	Three-step installation terminal 4mm ² Art. No. 30430, Detachable neutral conductors, neutral disconnecting terminals 4mm ² Art. No. 30290 6mm ² Art. No. 30291 4mm ² Art. No. 3472BL 6mm ² Art. No. 3477BL 16mm ² Art. No. 3473BL
3856		of tinned electrolytic copper length 1m 10x3mm Packing unit: 1 pcs	4mm ² Art. No. 30197 6mm ² Art. No. 30200



Accessories for neutral busbars

81445		Cover, transparent, to neutral busbars 10x2mm and 10x3mm, length 1m Packing unit: 1 pcs	Three-step installation terminal 4mm ² Art. No. 30430, Detachable neutral conductors, neutral disconnecting t. 4mm ² Art. No. 30290 6mm ² Art. No. 30291 4mm ² Art. No. 3472BL 6mm ² Art. No. 3477BL 16mm ² Art. No. 3473BL
81446		Cover clips for clipping on to neutral busbars 10x2mm and 10x3mm W=6mm Packing unit: 100 pcs	4mm ² Art. No. 30197 6mm ² Art. No. 30200 Terminals for busbar series 30950 see p. 1.1.70



Busbar carrier for special terminals

30956		of polyamide 66, grey, for neutral busbars 10x2mm and 10x3mm. For clipping on to mounting rails according to EN 60715 TH 35 or for screwing on with two M4 screws. Packing unit: 50 pcs. H1=35mm, H2=38mm	Busbars and busbar terminals see page 1.1.70
30957		of polyamide 66, grey, for neutral busbars 10x2mm and 10x3mm. For clipping on to mounting rails according to EN 60715 TH 35 or for screwing on with two M4 screws. Packing unit: 50 pcs. H1=20mm, H2=23mm	

Test plugs









Test plugs to terminal series Compact and Comfort

Article number	Illustration	Technical data	for terminals
2736R		Test plug \varnothing 2.8mm of silver-plated brass. With hole for strands up to 0.75mm ² , protected against accidental contact. With red insulation. Packing unit: 10 pcs	for terminals 3410, 3424, 3425, 3426, 3430, 3430/1P, 3450, 3452/6, 3452/10, 30005, 30008, 30128, 30137, 30138, 30890, 30891, 30904
2736S		Test plug \varnothing 2.8mm of silver-plated brass. With hole for strands up to 0.75mm ² , protected against accidental contact. With black insulation. Packing unit: 10 pcs	for terminals 3410, 3424, 3425, 3426, 3430, 3430/1P, 3450, 3452/6, 3452/10, 30005, 30008, 30128, 30137, 30138, 30890, 30891, 30904
2737R		Test plug \varnothing 2.8mm of silver-plated brass. With strand 0.75mm ² soldered in and insulated socket for banana plugs \varnothing 4mm, protected against accidental contact. With red insulating sleeve. Packing unit: 10 pcs	for terminals 3410, 3424, 3425, 3426, 3430, 3430/1P, 3450, 3452/6, 3452/10, 30005, 30008, 30128, 30137, 30138, 30890, 30891, 30904
2737S		Test plug \varnothing 2.8mm of silver-plated brass. With strand 0.75mm ² soldered in and insulated socket for banana plugs \varnothing 4mm, protected against accidental contact. With black insulating sleeve. Packing unit: 10 pcs	for terminals 3410, 3424, 3425, 3426, 3430, 3430/1P, 3450, 3452/6, 3452/10, 30005, 30008, 30128, 30137, 30138, 30890, 30891, 30904
3772PR		Test plug \varnothing 2.3mm of silver-plated brass. With hole for strands up to 0.75mm ² . With red insulation. Packing unit: 100 pcs	for terminals 30123, 30130, 30800P
3772PS		Test plug \varnothing 2.3mm of silver-plated brass. With hole for strands up to 0.75mm ² . With black insulation. Packing unit: 100 pcs	for terminals 30123, 30130, 30800P
80070R		Test adaptor (plug + adaptor in one piece), of gold-plated brass, outside \varnothing 6mm. For plugging into central thread M3. With socket for banana plug \varnothing 4mm, protected against accidental contact. With red insulating sleeve. Packing unit: 10 pcs	for terminals 3410, 3424, 3425, 3426, 3430, 3430/1P, 3450, 3452/6, 3452/10, 30005, 30008, 30128, 30137, 30138, 30890, 30891, 30904
80070S		Test adaptor (plug + adaptor in one piece), of gold-plated brass, outside \varnothing 6mm. For plugging into central thread M3. With socket for banana plug \varnothing 4mm, protected against accidental contact. With black insulating sleeve. Packing unit: 10 pcs	for terminals 3410, 3424, 3425, 3426, 3430, 3430/1P, 3450, 3452/6, 3452/10, 30005, 30008, 30128, 30137, 30138, 30890, 30891, 30904
80071R		Test adaptor (plug + adaptor in one piece), of gold-plated brass, outside \varnothing 6mm. For plugging into central thread M4. With socket for banana plug \varnothing 4mm, protected against accidental contact. With red insulating sleeve. Packing unit: 10 pcs	for terminals 3452/16, 3427, 3428
80071S		Test adaptor (plug + adaptor in one piece), of gold-plated brass, outside \varnothing 6mm. For plugging into central thread M4. With socket for banana plug \varnothing 4mm, protected against accidental contact. With black insulating sleeve. Packing unit: 10 pcs	for terminals 3452/16, 3427, 3428



Test plug for terminal series Compact and Comfort

Article number	Illustration	Technical data	for terminals
80220/6		<p>Test adaptors for clipping on to terminal. Measuring fixture with strand for plumbing in the test adaptors.</p> <p>Test adaptors delivered in component parts: With 1 test pin of tinned brass with hole for strands up to 0.75mm², 1 coil spring and 1 insulating body.</p> <p>Procedure: insert coil spring from below into the insulating body. Push strand from above through the coil spring and solder it in to the test pin. Pull strand with test pin, which is soldered on, upward until the test pin snaps in.</p> <p>Test adaptors can be joined to blocks.</p> <p>Can also be inserted when cross-connection is mounted.</p> <p>Packing unit: 10 pcs</p>	<p>for terminals 3450</p> 
80222/6		<p>Test adaptors for clipping on to two-step-terminal. Measuring fixture with strands for plumbing in the test adaptors.</p> <p>Test adaptors delivered in component parts: with 2 test pins of tinned brass with hole for strands up to 0.75mm², 2 coil springs and 1 insulating body.</p> <p>Procedure: insert coil springs into insulating body from below. Push strands from above through coil springs and solder them in to the test pins. Pull strands with test pins, which are soldered on, upward until the test pins snap in.</p> <p>Test adaptors can be joined to blocks.</p> <p>Can also be inserted when cross-connection is mounted.</p> <p>Packing unit: 10 pcs</p>	<p>for two-step terminals 3430</p>
80247		<p>Test plug \varnothing 2.3mm, with contact strips, of gold-plated brass. With strand 0.5mm² soldered in and insulated socket for banana plug \varnothing 4mm, protected against accidental contact. With red insulating sleeve.</p> <p>Packing unit: 10 pcs</p>	<p>for terminals 30150, 30400, 30403, 30430, 30431/1, 30431/2, 30810, 30860, 30903, 30973</p>
80248		<p>Test plug \varnothing 2.3mm, with contact strips, of gold-plated brass. With strand 0.5mm² soldered in and insulated socket for banana plug \varnothing 4mm, protected against accidental contact. With black insulating sleeve.</p> <p>Packing unit: 10 pcs</p>	<p>for terminals 30150, 30400, 30403, 30430, 30431/1, 30431/2, 30810, 30860, 30903, 30973</p>
80258		<p>Test plug \varnothing 2.4mm, of silver-plated brass. With strand 0.5mm² soldered in and insulated socket for banana plug \varnothing 4mm, protected against accidental contact. With black insulating sleeve.</p> <p>Packing unit: 100 pcs</p>	<p>for terminals 30870P</p>

Marking accessories

Marking strips and marking cards RBE5

Marking strips

of thermoplastic, white, with 10 labels per strip, printed black. Label size 6 x 3 mm.
Available in boxes containing 10 strips with 10 labels each, i.e. 100 labels per box.
Labels should not be broken off from marking strip until inserted into the terminal.



printing	label size	printing	label size	printing	label size	printing	label size
A	6 x 3	N	6 x 3	1	6 x 3	\perp	6 x 3
B	3958/A	O	3958/N	2	3958/1	\equiv	3958/PE
C	3958/B	P	3958/O	3	3958/2	+	3958/+
D	3958/C	Q	3958/P	4	3958/3	-	3958/-
E	3958/D	R	3958/Q	5	3958/4	~	3958/AC
F	3958/E	S	3958/R	6	3958/5	=	3958/DC
G	3958/F	T	3958/S	7	3958/6		
H	3958/G	U	3958/T	8	3958/7	unprinted	
I	3958/H	V	3958/U	9	3958/8	white	3957
J	3958/I	W	3958/V	0	3958/9	red	3957RO
K	3958/J	X	3958/W	1-0	3958/0	blue	3957BL
L	3958/K	Y	3958/X	sequential numbering (10x from 1 to 0)	3958/1-0		
M	3958/L	Z	3958/Y				
	3958/M		3958/Z				

Marking cards type RBE5

For marking 5mm-wide terminals. Made of thermoplastic, white, with 100 labels per card, printed black. Size of the marking card 122 x 22.1 mm.

Label size 5 x 3 mm.

Available in boxes containing 5 cards with 100 labels each, i.e. 500 labels per box.

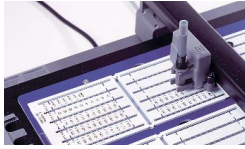


printing	label size	printing	label size	printing	label size	printing	label size
A	5 x 3	N	5 x 3	1	5 x 3	\perp	5 x 3
B	83010/A	O	83010/N	2	83010/1	\equiv	83010/PE
C	83010/B	P	83010/O	3	83010/2	+	83010/+
D	83010/C	Q	83010/P	4	83010/3	-	83010/-
E	83010/D	R	83010/Q	5	83010/4	~	83010/AC
F	83010/E	S	83010/R	6	83010/5	=	83010/DC
G	83010/F	T	83010/S	7	83010/6		
H	83010/G	U	83010/T	8	83010/7	unprinted	
I	83010/H	V	83010/U	9	83010/8	white	83010
J	83010/I	W	83010/V	0	83010/9		
K	83010/J	X	83010/W	1-0	83010/0		
L	83010/K	Y	83010/X	sequential numbering (10x from 1 to 0)	83010/1-0		
M	83010/L	Z	83010/Y				
	83010/M	A-Z (without O)	83010/Z				
			83010/A-Z				

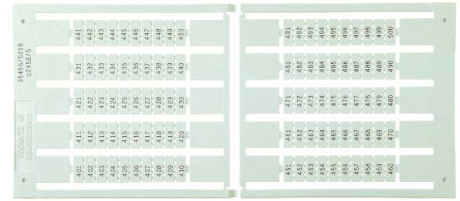
For marking of 5, 6 or 8mm-wide terminals. Marking cards of polyamide 66, white, with 100 labels per card, printed black (see table below).

Label size: 5 x 5 mm, 5 x 9 mm, 5 x 12 mm, 6 x 9 mm, 6 x 12 mm, 8 x 9 mm or 8 x 12 mm.

Available in boxes containing 5 cards with 100 labels each, i.e. 500 labels per box.



Woertz Service: marking on request (see order form page 1.1.103).
Individual terminal marking with **Winscript** (see page 1.1.104).




printing	label size	5 x 5	5 x 9	5 x 12	6 x 9	6 x 12	8 x 9	8 x 12
1-10		35455/5501	35455/5901	35455/5201	35455/6901	35455/6201	35455/8901	35455/8201
11-20		35455/5502	35455/5902	35455/5202	35455/6902	35455/6202	35455/8902	35455/8202
21-30		35455/5503	35455/5903	35455/5203	35455/6903	35455/6203	35455/8903	35455/8203
31-40		35455/5504	35455/5904	35455/5204	35455/6904	35455/6204	35455/8904	35455/8204
41-50		35455/5505	35455/5905	35455/5205	35455/6905	35455/6205	35455/8905	35455/8205
51-60		35455/5506	35455/5906	35455/5206	35455/6906	35455/6206	35455/8906	35455/8206
61-70		35455/5507	35455/5907	35455/5207	35455/6907	35455/6207	35455/8907	35455/8207
71-80		35455/5508	35455/5908	35455/5208	35455/6908	35455/6208	35455/8908	35455/8208
81-90		35455/5509	35455/5909	35455/5209	35455/6909	35455/6209	35455/8909	35455/8209
91-100		35455/5510	35455/5910	35455/5210	35455/6910	35455/6210	35455/8910	35455/8210
1-50		35455/5511	35455/5911	35455/5211	35455/6911	35455/6211	35455/8911	35455/8211
51-100		35455/5512	35455/5912	35455/5212	35455/6912	35455/6212	35455/8912	35455/8212
101-150		35455/5513	35455/5913	35455/5213	35455/6913	35455/6213	35455/8913	35455/8213
151-200		35455/5514	35455/5914	35455/5214	35455/6914	35455/6214	35455/8914	35455/8214
201-300		35455/5515	35455/5915	35455/5215	35455/6915	35455/6215	35455/8915	35455/8215
301-400		35455/5516	35455/5916	35455/5216	35455/6916	35455/6216	35455/8916	35455/8216
401-500		35455/5517	35455/5917	35455/5217	35455/6917	35455/6217	35455/8917	35455/8217
1-500		35455/5518	35455/5918	35455/5218	35455/6918	35455/6218	35455/8918	35455/8218
L1		35455/5530	35455/5930	35455/5230	35455/6930	35455/6230	35455/8930	35455/8230
L2		35455/5531	35455/5931	35455/5231	35455/6931	35455/6231	35455/8931	35455/8231
L3		35455/5532	35455/5932	35455/5232	35455/6932	35455/6232	35455/8932	35455/8232
L1L2L3 (on 1 label)		35455/5533	35455/5933	35455/5233	35455/6933	35455/6233	35455/8933	35455/8233
L1 L2 L3 (32 times)		35455/5534	35455/5934	35455/5234	35455/6934	35455/6234	35455/8934	35455/8234
N		35455/5535	35455/5935	35455/5235	35455/6935	35455/6235	35455/8935	35455/8235
⊥		35455/5536	35455/5936	35455/5236	35455/6936	35455/6236	35455/8936	35455/8236
+		35455/5537	35455/5937	35455/5237	35455/6937	35455/6237	35455/8937	35455/8237
-		35455/5538	35455/5938	35455/5238	35455/6938	35455/6238	35455/8938	35455/8238
A-Z (without 0)		35455/5540	35455/5940	35455/5240	35455/6940	35455/6240	35455/8940	35455/8240
unprinted		35455/05X05	35455/05X09	35455/05X12	35455/06X09	35455/06X12	35455/08X09	35455/08X12

Marking accessories

Label holders and cases for marking accessories





Holder for marking cables

Article number	Illustration	Technical data
3954		<p>of polyamide 6, flexible, black for cables 3x1.5mm² and more consisting of 5 holders molded together for 4 labels each, 3x6mm 3957/..., 3958/... fastening with cable straps Divisible by means of any cutting tool Cable straps have to be ordered separately.</p> <p>Packing unit: 50 pcs</p>






Label carriers

3955/4		<p>Label carriers for larger markings of polyamide 66, grey for clipping on 6mm-wide terminals with 3-figure marking only</p> <p>for 4 labels 3x6mm 3957/..., 3958/.. Packing unit: 100 pcs</p>	for terminals 30902, 30904, 3430, 30430, 30431, 30432, 30890, 30891
3955/6		<p>Label carriers for larger markings of polyamide 66, grey for clipping on 6mm-wide terminals with 3-figure marking only</p> <p>for 6 labels 3x6mm 3957/..., 3958/.. Packing unit: 100 pcs</p>	



Case for marking accessories with inserts for marking strips or marking cards

80155		<p>Case for marking accessories of plastic, blue, resistant to shocks, stackable For receiving 2 transparent inserts for marking strips or marking cards External dimensions 400x300x80mm empty, without inserts</p>
80156		<p>Insert for marking strips External dimensions 360x260x30mm - with 12 parts for marking strips type 3957/..., 3958/..</p>
80158		<p>Insert for marking cards External dimensions 360x260x30mm - with 3 parts for marking cards - with 3 parts for marking strips type 3957/..., 3958/..</p>

Please fill out the form with block letters and order by fax.
Make sure you have ticked the label type you want.

Fax Switzerland: +41 (0)61 461 96 06
Fax USA: (800) 522-3868

Adresse

Billing address: (if different from shipping address)	Shipping address:
Company:	Customer number:
Address:	Company:
ZIP code/city:	Address:
Tel.:	ZIP code/city:
Fax:	Tel.:
Contact person:	Fax:
	Contact person:

Order

We order card(s) of the selected type with printing according to drawing below.

label type	article number	label size	printing max.
<input type="checkbox"/> RB/5x5	35455/05S05	5 x 5 mm	3-figure vertically / 3-figure horizontally
<input type="checkbox"/> RB/5x9	35455/05S09	5 x 9 mm	6-figure vertically / 3-figure horizontally
<input type="checkbox"/> RB/5x12	35455/05S12	5 x 12 mm	9-figure vertically / 3-figure horizontally
<input type="checkbox"/> RB/6x9	35455/06S09	6 x 9 mm	6-figure vertically / 4-figure horizontally
<input type="checkbox"/> RB/6x12	35455/06S12	6 x 12 mm	9-figure vertically / 4-figure horizontally
<input type="checkbox"/> RB/8x9	35455/08S09	8 x 9 mm	6-figure vertically / 6-figure horizontally
<input type="checkbox"/> RB/8x12	35455/08S12	8 x 12 mm	9-figure vertically / 6-figure horizontally

Available special characters
Special characters count as 2 figures!

			...2	...3	

Printing

5										6									
4										7									
3										8									
2										9									
1										10									

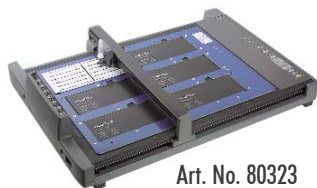
Printing example

1	L1	L2	L3	150	250	350				A-10
---	----	----	----	-----	-----	-----	--	--	--	------

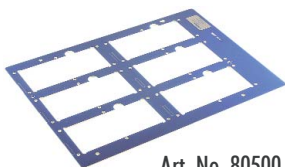


Marking accessories

Winscript System - Individual terminal marking system



Art. No. 80323



Art. No. 80500

Available symbols:

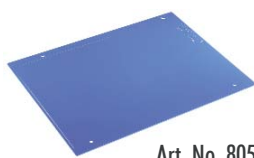


Winscript System

Article number	Designation / Technical data	Article number	Designation / Technical data
80515	Software including user manual 5 languages D, F, I, E, S	80500	Base plates Woertz including 2x6 spacers to receive 6 Woertz marker cards
80323	Plotter including user manual and communication cable PC-Plotter	80500BS	Base plates Woertz to receive Woertz marking strips series 35455/..BS



Art. No. 80501



Art. No. 80506



Art. No. 80510



Art. No. 80507



Art. No. 80502



Art. No. 80514



Art. No. 80519

Accessories

80514	Plotter pen with pen point	80510	Disposable ink pens HPC (4 pieces) for paper labels
80507	Ink	80501	Spacers to Woertz base plates for marker cards type 5x9/6x9/6x12/8x9/8x12 mm
80519	Cleaning solution to ink	80502	Spacers to Woertz base plates for marker cards type 5x5 mm
80518	Cleaning set	80506	Base plate for marking paper labels etc. of powder-coated steel including magnetic pins and strips for holding the paper sheet

Accessories for marking competitor labels

80505AD	Adels base plate to receive Adels marker cards	80505TE	Télemécanique base plate to receive Télemécanique marker cards
80505ENT	Entrelec base plate to receive Entrelec marker cards RC55/RC65/RC510/RC610/RC810	80505WA	Wago base plate to receive Wago marker cards, including 1 interchangeable locating device for WSB 5-8mm and one for WSB 4mm
80505PHX	Phoenix base plate to receive Phoenix marker cards, inclu- ding. 2 magazine inserts for 14 Zack marker strips CMS- U/ZB	80505WDM	Weidmüller base plate to receive Weidmüller marking cards
80505SES	SES base plate to receive SES marker cards, labels type 14-1177 (cable marking)	80505WI	Wieland base plates to receive Wieland marker cards 5x8.3/5x14/6x8.3/6x14/8x8.3



Mounting rails according to EN 60715TH35

Article number	Illustration	Dimension illustration	Technical data
3401			Galvanized steel a=35mm, b=7.3mm, c=27mm, d=1mm Corresponds to the thermal resistance to short-circuits of a Cu conductor of 16mm ² Made in lengths of 2m, weight 325 g/m
3401/L			Galvanized boored steel, 18 x 5.2 mm a=35mm, b=7.3mm, c=27mm, d=1mm Corresponds to the thermal resistance to short-circuits of a Cu conductor of 16mm ² Made in lengths of 2m, weight 310 g/m
3401IN			Stainless steel A2 a=35mm, b=7.3mm, c=27mm, d=1mm Corresponds to the thermal resistance to short-circuits of a Cu conductor of 16mm ² Made in lengths of 2m, weight 365 g/m
3490			Galvanized steel a=35mm, b=15mm, c=24mm, d=1mm, d1=2.5mm Corresponds to the thermal resistance to short-circuits of a Cu conductor of 50mm ² Made in lengths of 2m, weight 925 g/m
3490/L			Galvanized boored steel, 18 x 5.2 mm a=35mm, b=15mm, c=24mm, d=1mm, d1=2.5mm Corresponds to the thermal resistance to short-circuits of a Cu conductor of 50mm ² Made in lengths of 2m, weight 890 g/m
80290			copper a=35mm, b=15mm, c=24mm, d=1mm, d1=2.3mm Corresponds to the thermal resistance to short-circuits of a Cu conductor of 150mm ² Made in lengths of 2m, weight 765 g/m



Combined rails

3400A			external profile flanks according to EN 60715TH35, internal profile flanks according to EN 60715TH15 aluminum alloy, Extrudal-050 a=35mm, b=7.3mm, c=27mm, d=1mm, e=15mm Corresponds to the thermal resistance to short-circuits of a Cu conductor of 35mm ² Made in lengths of 2m, weight 260 g/m
80291/2M			external profile flanks according to EN 60715TH35, internal profile for receiving Woertz anchoring studs series 4420 and Woertz cable fixing brackets series 4350. aluminum alloy, Extrudal-050 a=35mm, b=15mm, c=35mm, d=1mm, d1=1.8mm, e=16.7mm Corresponds to the thermal resistance to short-circuits of a Cu conductor of 85mm ²
80291/3M			80291/2M Made in lengths of 2m, weight 379 g/m
80291/6M			80291/3M Made in lengths of 3m, weight 379 g/m 80291/6M Made in lengths of 6m, weight 379 g/m

Rails and accessories



Cable-fasteners for clipping

Article number	Illustration	Dimension illustration	Technical data
80063			<p>for clipping on to rails according to EN 60715TH35 of polyamide 66, grey For use in switchboards. Delivered without cable straps. Any cable straps may be used with these fasteners.</p> <p>80063 for cables \varnothing 6-9mm B = 10mm Packing unit: 100 pcs</p> <p>80065 for cables \varnothing 12-16mm B = 18mm Packing unit: 25 pcs</p> <p>80064 for cables \varnothing 9-12mm B = 14mm Packing unit: 100 pcs</p> <p>80066 for cables \varnothing 16-20mm B = 22mm Packing unit: 25 pcs</p>
80064			
80065			
80066			



Clamps for clipping

9072			<p>for clipping on to mounting rails according to EN 60715TH35, of polyamide 66, grey may be used for mounting devices, with 3 borings for cylinder head self-tapping screw \varnothing 3.5mm Packing unit: 100 pcs</p>
49907			<p>for clipping on to mounting rails according to EN 60715TH35, of polyamide 66, grey may be used for mounting devices extending beyond the clamp, with 3 borings for cylinder head self-tapping screw \varnothing 3.5mm. Packing unit: 100 pcs</p>


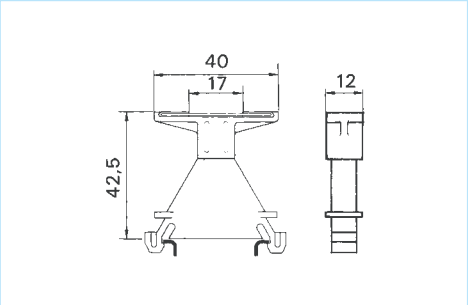


Supporting studs for covers

80059/31	H mm 31	<p>Base part of brass, stud of steel for mounting rails according to EN 60715TH35 with bolt thread and sealing screw M3 Clamping couple for electric screw-driver 0.8 Nm. Width = 6mm</p> <p>Packing unit: 50 pcs</p>	<p>To terminal covers Art. No. 80079/10, 80079/35, 80079/120 see page 1.1.92</p>
80059/38	H mm 38		
80059/45	H mm 45		
80059/55	H mm 55		
80059/65	H mm 65		
80059/75	H mm 75		


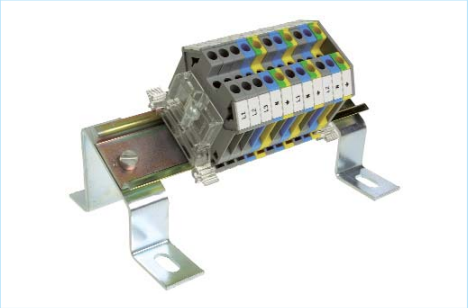


Label carrier for group marking

Article number	Illustration	Dimension illustration	Technical data
3459			<p>of polyamide 66, grey, halogen-free to mounting rails according to EN 60715TH35 with label 10x37mm of PVC, white</p> <p>Under the label 10x37mm the label carrier for group marking has a boring for screwing on any other marking label or marking strip with a cylinder head self-tapping screw \varnothing 2.9x9.5mm</p> <p>Packing unit: 100 pcs</p>



Angled support bracket

80360/30			<p>of sheet steel 2 mm, galvanized Length 89mm, width 20 mm, height 48mm angle of 30° with screw thread M6 for an accessible arrangement of terminals</p> <p>Packing unit: 10 pcs</p>

Terminal overview

Terminals for mounting rails 15mm according to EN 60715 TH 15

Terminal types



Basic terminals
4 mm²
series 30902

page 1.1.110



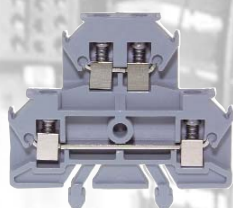
Bare earthing terminals
2.5 mm²
series 2721

page 1.1.111



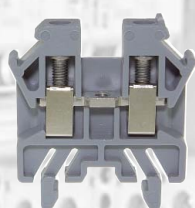
Partially enclosed
earthing terminals 4 mm²
series 30902

page 1.1.112



Two-step terminals
1 mm²
series 2711

page 1.1.113



Small screw terminal
2.5 mm²
series 2760

page 1.1.114



Wire-wrap terminal
1.5 mm²
series 2759

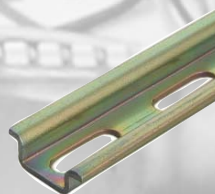
page 1.1.115

Accessories



End barriers, partitions,
cross-connections, etc.

pages 1.1.118 - 1.1.121



Mounting rails

page 1.1.121



Terminal covers, test plugs,
marking accessories

pages 1.1.122 - 1.1.123

Terminal series	pages 1.1.109 to 1.1.115
Basic terminals 4mm ²	1.1.110
Bare earthing terminal 2.5mm ²	1.1.111
Partially enclosed earthing terminal 4mm ²	1.1.112
Two-step terminal 1mm ²	1.1.113
Small screw terminal 2.5mm ²	1.1.114
Wire-wrap terminal 1.5mm ²	1.1.115

Basic terminals

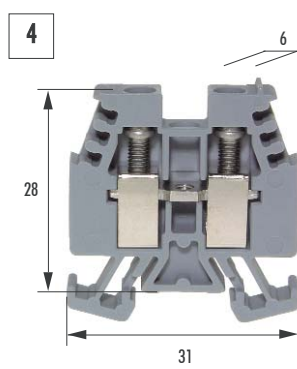
4 mm²



PA 66



- Clamping units and connecting bar of nickel-plated brass
- Screws of stainless steel
- for insulated, recessed and separable cross-connections
- 3-figure marking on both sides
- Ex terminals also available (see Ex flyer)



Article numbers

Ratings	0.2-4 mm ² 500V/32A	24-12AWG 300V/20A
grey	30902GR	
blue	30902BL	
green and yellow (insulated earthing conductor)	30902E	



Technical data

Connecting capacity	mm	3.2 x 5
Clamping screws		M3
Central thread		M3
Strip insulation	mm	10
Packing unit	pcs	100



Accessories see pages 1.1.117 to 1.1.123

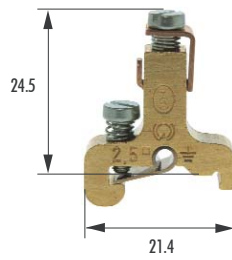
Test adaptors		80070 2737
Marking accessories		3957/. 6 labels 3958/. 6 labels RB/6x9 2 labels
End barriers		30912
Partitions		30922
Stoppers		2765
Stoppers		2754
Insulated cross-connections for 2, 3, 4, 5 or 10 terminals		81526/2 81526/3 81526/4 81526/5 81526/10
Connecting pins		81526
Links		30441
Cross-junction racks		30791
Terminal covers for 4, 5, 6, 7 or 8 terminals		3894/4 3894/5 3894/6 3894/7 3894/8
Fastening screws		01062
Sealing eyelets		81440
Sealing screws		3512



- of pickled brass
- Screws and springs of stainless steel
- The connection between mounting rail and terminal as well as the connected conductors are protected against working loose

2.5

6



Article numbers

Ratings

2.5 mm²

2721



Technical data

Connecting capacity \varnothing

mm

2.7

Clamping screws

M3

Strip insulation

mm

8

Packing unit

100



Accessories see pages 1.1.117 to 1.1.123

Partially enclosed earthing terminal

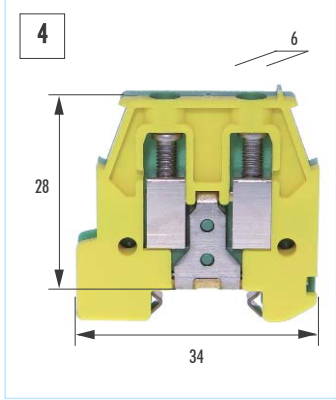
4 mm²



PA 66



- Clamping units of nickel-plated brass
- Screws, springs and earthing base of stainless steel
- 3-figure marking on both sides
- Ex terminals also available (see Ex flyer)



No Article numbers

Ratings 4 mm² 22-12AWG

for terminals for polar conductor 30902

green and yellow 30902/4V

xUh Technical data

Connecting capacity	mm	3.2 x 3.9
Clamping screws		M3
Strip insulation	mm	10
Clamping couple for electric screw-driver	Nm	0.6
Packing unit	pcs	50

5Me Accessories see pages 1.1.117 to 1.1.123

Marking accessories	3957/.	6 labels
	3958/.	6 labels
	RB/6x9	2 labels

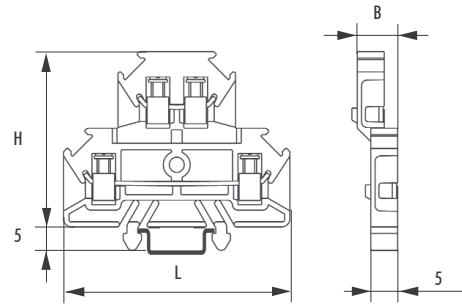


PA 66



1

- Clamping units and connecting bars of nickel-plated brass
- Screws of stainless steel
- Lower and upper level vertically shifted, so that the lower clamping screws remain accessible when conductors are connected.
- marking facilities on both sides
- Ex terminals also available (see Ex flyer)



Article numbers

Ratings	0.5-1 mm ² 400V/13.5A	22-16AWG 300V/15A		
grey	2711GR			
blue	2711BL			



Technical data

W	mm	7.5		
L	mm	42		
H	mm	32.5		
Connecting capacity	mm	2 x 2.4		
Clamping screws		M2.5		
Strip insulation	mm	9		
Packing unit	pcs	100		



Accessories see pages 1.1.117 to 1.1.123

Marking accessories		RB/5x5		
End barriers		2712GR		
Partitions		2713GR		
Stoppers		2754A		
Cross-junction racks		2715		

Small screw terminal

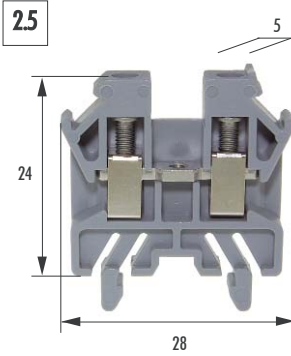
2.5 mm²



PA 66



- Clamping units and connecting bar of nickel-plated brass
- Screws of stainless steel
- for insulated, recessed and separable cross-connections
- Marking facilities on both sides
- Ex terminals also available (see Ex flyer)



No Article numbers

Ratings	0.5-2.5 mm ² 400V/24A	22-14AWG 300V/15A
---------	-------------------------------------	----------------------

grey	2760
------	------

xuh Technical data

Connecting capacity	mm	2.5 x 3.5
Clamping screws		M2.5
Central thread		M2.5
Strip insulation	mm	6
Packing unit	pcs	100

5Me Accessories see pages 1.1.117 to 1.1.123

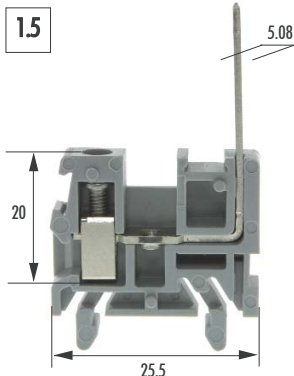
Test adaptors		80247 80248
Marking accessories		RB/5x5
End barriers		2764
Partitions		2763
Stoppers		2765
Stoppers		2754
Insulated cross-connections for 2, 3 or 10 terminals		81515/2 81515/3 81515/10
Connecting pins		81515
Cross-junction racks		30793
Bare earthing terminal		2721



PA 66



- With a screw terminal 1.5 mm² and a wire-wrap pin 1x1 mm of nickel-plated brass
- Screw of stainless steel
- for insulated, recessed and separable cross-connections
- Marking facilities on top and on sides



Article numbers

Ratings	1.5 mm ² 250V/17.5A	22-14AWG 300V/10A
---------	-----------------------------------	----------------------

grey	2759
------	------

Technical data

Connecting capacity	mm	2.5 x 3.5
Clamping screw		M2.5
Central thread		M2.5
Strip insulation	mm	6
Length of the wrap pin	mm	18.5
Packing unit	pcs	100

Accessories see pages 1.1.117 to 1.1.123

Test adaptors		80247 80248
---------------	--	----------------

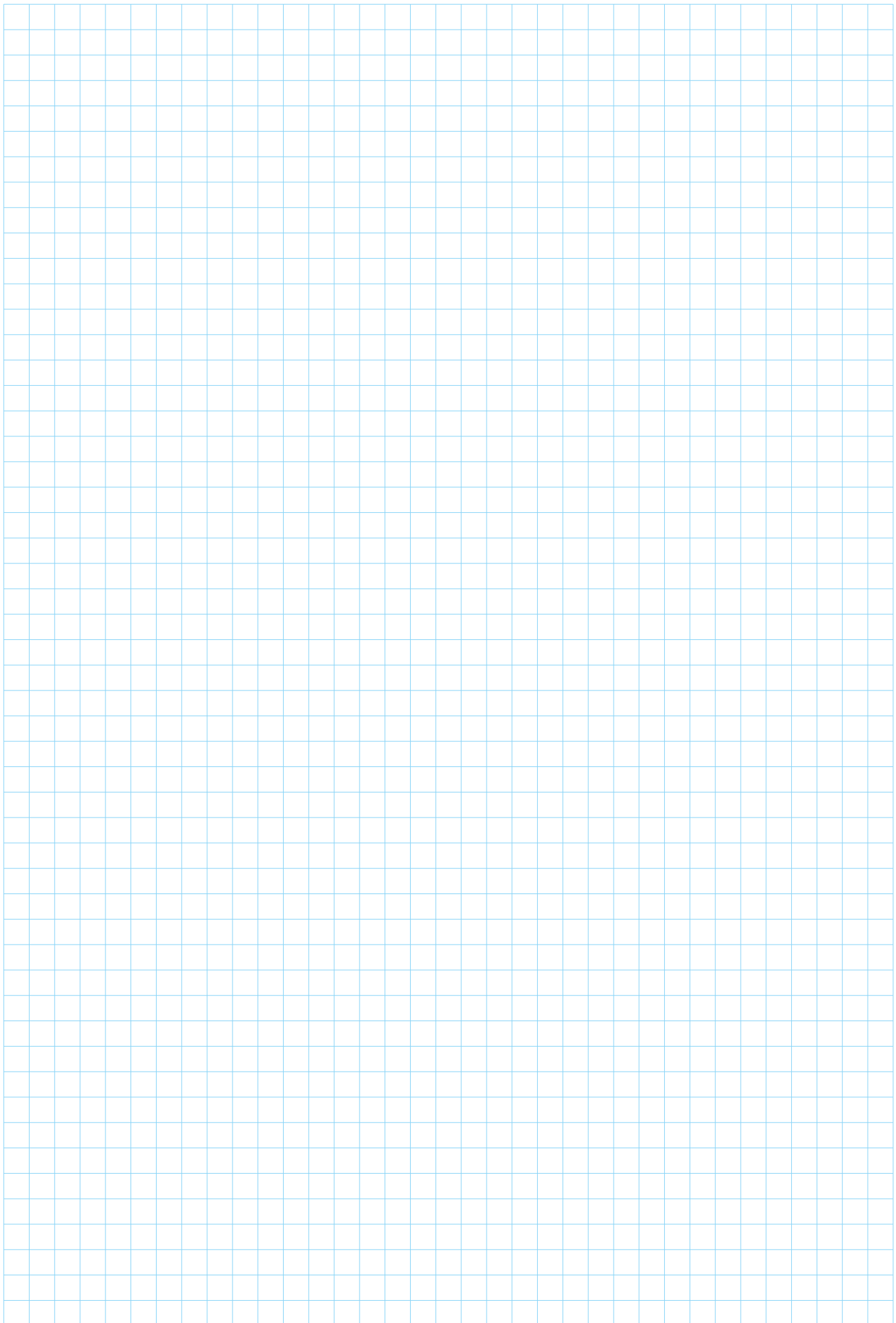
Marking accessories		RB/5x5
---------------------	--	--------

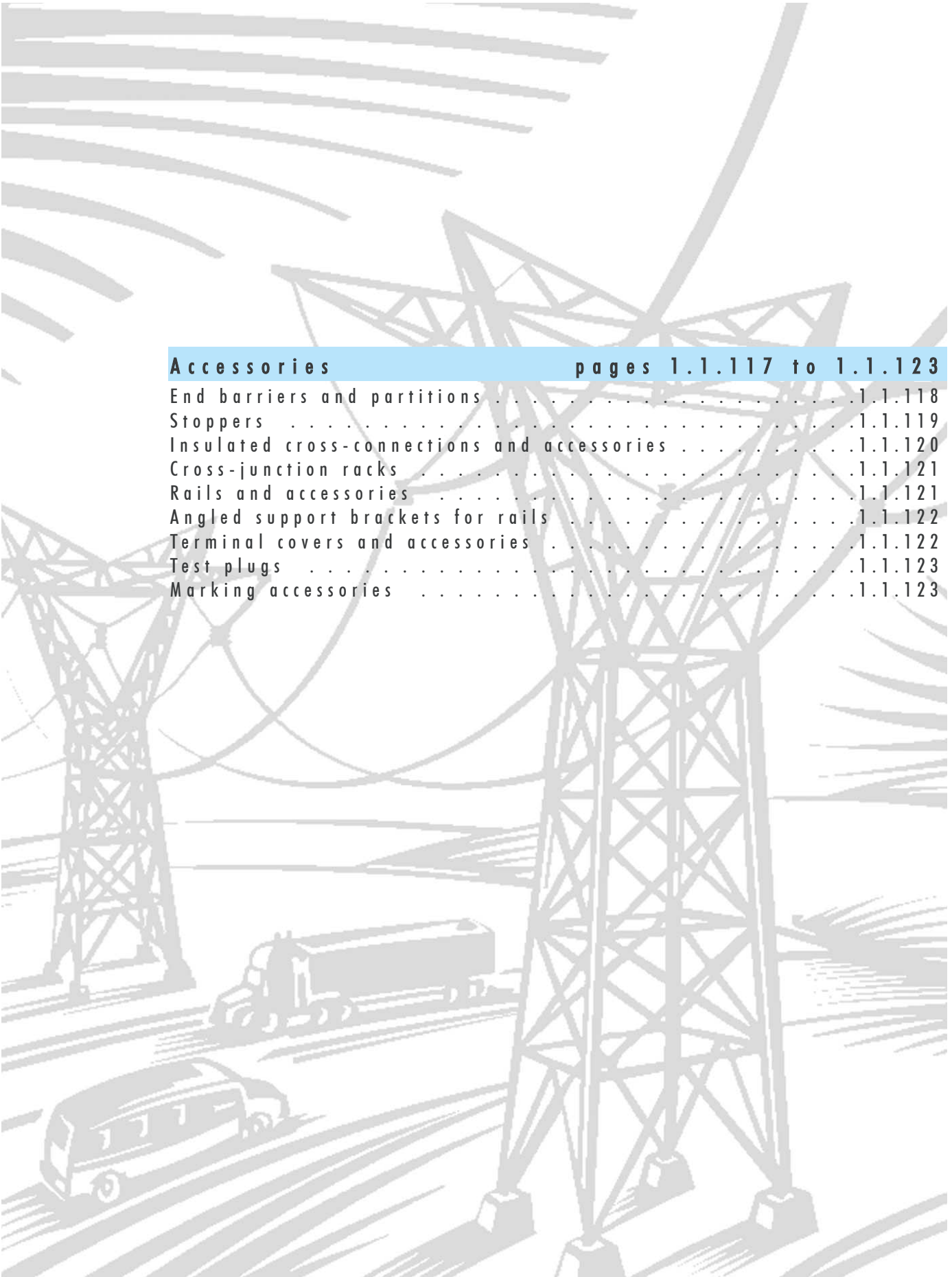
End barriers		2762
Stoppers		2765
Stoppers		2754

Insulated cross-connections for 2, 3 or 10 terminals		81515/2 81515/3 81515/10
--	--	--------------------------------

Connecting pins		81515
-----------------	--	-------

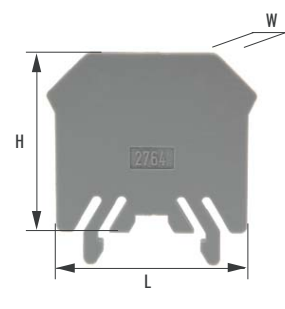
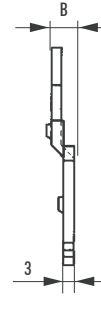
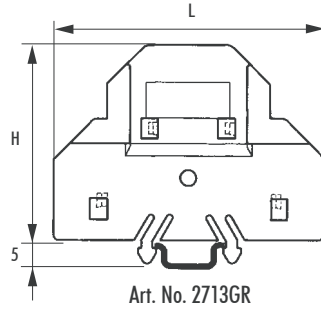
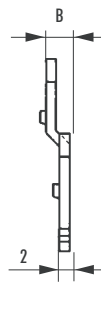
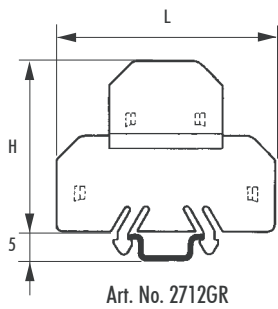
Junction rack		2715
---------------	--	------





Accessories	pages 1.1.117 to 1.1.123
End barriers and partitions	1.1.118
Stoppers	1.1.119
Insulated cross-connections and accessories	1.1.120
Cross-junction racks	1.1.121
Rails and accessories	1.1.121
Angled support brackets for rails	1.1.122
Terminal covers and accessories	1.1.122
Test plugs	1.1.123
Marking accessories	1.1.123

End barriers and partitions



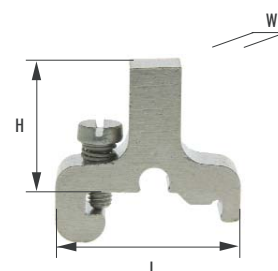
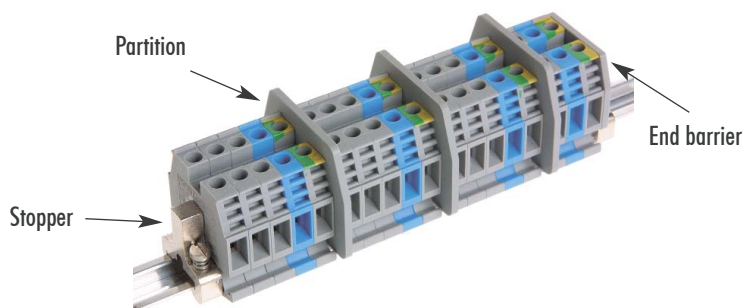
End barriers

Article number	Illustration	Technical data	for terminals
2712GR		of polyamide 66, grey W=4.5mm, L=42mm, H=32.5mm, W1=2mm Packing unit: 100 pcs	Two-step terminal 1mm ² series 2711
2762		of polyamide 66, grey W=1.42mm, L=25.5mm, H=20mm Packing unit: 100 pcs	Wire-wrap terminal 1.5mm ² Art. No. 2759
2764		of polyamide 66, grey W=1.5mm, L=28mm, H=24mm Packing unit: 100 pcs	Small screw terminal 2.5mm ² Art. No. 2760
30912		of polyamide 66, grey W=2mm, L=31mm, H=28mm Packing unit: 100 pcs	Basic terminals 4mm ² series 30902



Partitions

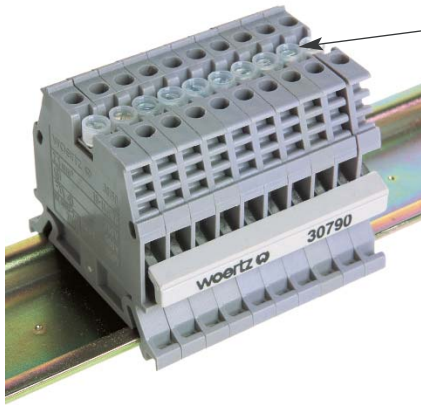
2713GR		of polyamide 66, grey W=5.5mm, L=52mm, H=37.5mm, B1=3mm Packing unit: 100 pcs	Two-step terminal 1mm ² series 2711
2763		of polyamide 66, grey W=1.5mm, L=36mm, H=29mm Packing unit: 100 pcs	Small screw terminal 2.5mm ² Art. No. 2760
30922		of polyamide 66, grey W=2mm, L=41mm, H=33mm Packing unit: 100 pcs	Basic terminals 4mm ² series 30902



Stoppers

Article number	Illustration	Technical data	for terminals
2754		of nickel-plated brass with screw M3 W=6mm, L=21.4mm, H=17.5mm Packing unit: 100 pcs	Basic terminals 4mm ² series 30902 Small screw terminal 2.5mm ² Art. No. 2760 Wire-wrap terminal 1.5mm ² Art. No. 2759
2754A		of nickel-plated brass with screw M3 W=6mm, L=21.4mm, H=15.5mm Packing unit: 100 pcs	Two-step terminal 1mm ² series 2711
2765		of macrolon with cylinder head self-tapping screw $\varnothing 2.9 \times 9.5$ mm W=7.5mm, L=20mm, H=20mm Packing unit: 100 pcs	Basic terminals 4mm ² series 30902 Small screw terminal 2.5mm ² Art. No. 2760 Wire-wrap terminal 1.5mm ² Art. No. 2759

Insulated cross-connections and accessories




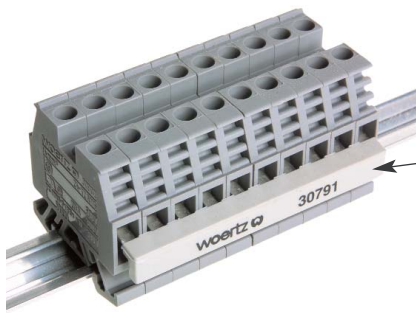
insulated cross-connections

To be screwed in connecting bars. Cross-connections are used to jumper adjacent terminals. They are of nickel-plated brass. Complete cross-connections are available with connecting pins, screws, washers and spacer sleeves. They are protected against accidental contact with insulated screw heads. Standard separable versions: 2-, 3-, 4-, 5- and 10-part.

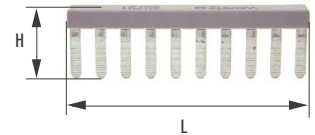


Insulated cross-connections

Article number	Description Illustration	Technical data	for terminals
81515/2 81515/3 81515/10	Cross-connections 2-part 3-part 10-part	6mm wide 1mm thick Hole $\varnothing = 3\text{mm}$ 10-part: L=50mm Packing unit: 10 pcs	Small screw terminal 2.5mm ² Art. No. 2760 Wire-wrap terminal 1.5mm ² Art. No. 2759
81515	Separate connecting pin	of nickel-plated brass with screw with insulated head, washer and spacer sleeve Spacer sleeve: length=5.5mm, outside $\varnothing = 4\text{mm}$ Screw M2.5x9.5 Packing unit: 100 pcs	
81526/2 81526/3 81526/4 81526/5 81526/10	Cross-connections 2-part 3-part 4-part 5-part 10-part	6mm wide 1mm thick Hole $\varnothing = 3.5\text{mm}$ 10-part: L=60mm Packing unit: 10 pcs	Basic terminal 4mm ² Art. No. 30902
81526	Separate connecting pin	of nickel-plated brass with screw with insulated head, washer and spacer sleeve Spacer sleeve: length=10.5mm, outside $\varnothing = 4\text{mm}$ Screw M3x17 Packing unit: 100 pcs	
30441	Links 	of nickel-plated brass for connecting two adjacent cross-connection links without pin Packing unit: 100 pcs	



Cross-junction racks, to be inserted into terminal opening from front side



Cross-junction racks

Article number	Illustration	Technical data	for terminals
2715		of nickel-plated brass 12-part, can be cut to any desired length bent at 40°	Two-step terminal 1mm ² series 2711 Wire-wrap terminal 1.5mm ² Art. No. 2759
30791		of nickel-plated brass, 10-part with insulation of polyester, can be cut to any desired length with cutting tool L=58mm, H=16.5mm Packing unit: 100 pcs	Basic terminals 4mm ² series 30902
30793		of nickel-plated brass, 10-part with insulating tape of polyamide 66, can be cut to any desired length with cutting tool L=49mm, H=13mm Packing unit: 100 pcs	Small screw terminal 2.5mm ² Art. No. 2760



Mounting rails according to EN 60715TH15

2750			zinc-plated steel with fastening slots a = 15mm, b = 5.5 mm, c = 10.5 mm, d=1mm Corresponds to the thermal resistance to short-circuits of a Cu conductor of 6mm ² Made in lengths of 2m, weight 125 g/m
2750A			Aluminum alloy a = 15mm, b = 5.5 mm, c = 10.5 mm, d=1.5mm Corresponds to the thermal resistance to short-circuits of a Cu conductor of 16mm ² Made in lengths of 2m, weight 70 g/m



Supporting studs for mounting rails according to EN 60715TH15

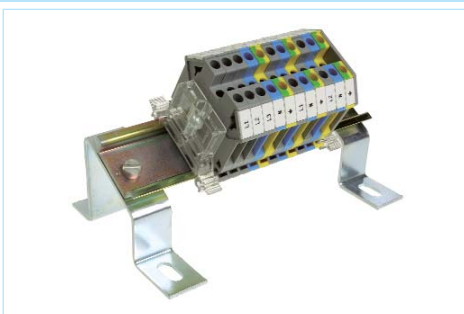
2756		Insulated supporting studs of nickel-plated brass with sealable nut for terminal covers H=47mm Packing unit: 50 pcs
------	--	---

Angled support bracket and terminal covers



Angled support bracket

80360/30



of sheet steel 2 mm, galvanized
Length 89mm, width 20 mm, height 48mm
angle of 30°
with screw thread M6
for an accessible arrangement of terminals

Packing unit: 10 pcs



Terminal covers and accessories



Some applications and codes require the connection terminals to be covered to prevent any accidental contact. Covers of yellow plastic with a warning arrow in black are available in different dimensions.



These covers are fixed on the central threads of the terminals with two fastening screws of polyamide 66. Covers available for 4, 5, 6, 7 or 8 terminals.

Sealing eyelets can be used to avoid any damage to the terminal covers.



Article number	Illustration	Technical data	for terminals
3894/4	Terminal covers for 4 terminals	of plastic, yellow with black marking with 2 fastening screws of polyamide 66 Packing unit: 10 pcs 1mm thick, 24 mm high 3894/4: A=18mm, B=26mm 3894/5: A=24mm, B=32mm 3894/6: A=30mm, B=38mm 3894/7: A=36mm, B=44mm 3894/8: A=42mm, B=50mm	Basic terminals 4mm ² series 30902
3894/5	for 5 terminals		
3894/6	for 6 terminals		
3894/7	for 7 terminals		
3894/8	for 8 terminals		
01062	Fastening screws	M3x20 of polyamide 66	
3512	Sealing screws	M3x25 of polyamide 66 Packing unit: 50 pcs	
81440	Sealing eyelets	For bending over the heads of the fastening screws. Hole $\varnothing = 3.2\text{mm}$ for fastening screws M2.5 and M3 Packing unit: 100 pcs	

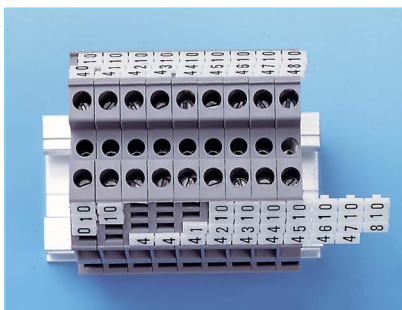


Test plugs

Article number	Illustration	Technical data	for terminals
2737R		Test plug \varnothing 2.8mm of silver-plated brass. With strand 0.75mm ² soldered in and insulated socket for banana plug \varnothing 4mm, protected against accidental contact. With red insulating sleeve. Packing unit: 10 pcs	Basic terminals 4mm ² series 30902
2737S		Test plug \varnothing 2.8mm of silver-plated brass. With strand 0.75mm ² soldered in and insulated socket for banana plug \varnothing 4mm, protected against accidental contact. With black insulating sleeve. Packing unit: 10 pcs	Basic terminals 4mm ² series 30902
80070R		Test adaptor (plug + adaptor in one piece), of gold-plated brass, outside \varnothing 6mm. For plugging into central thread M3. With socket for banana plug \varnothing 4mm, protected against accidental contact. With red insulating sleeve. Packing unit: 10 pcs	Basic terminals 4mm ² series 30902
80070S		Test adaptor (plug + adaptor in one piece), of gold-plated brass, outside \varnothing 6mm. For plugging into central thread M3. With socket for banana plug \varnothing 4mm, protected against accidental contact. With black insulating sleeve. Packing unit: 10 pcs	Basic terminals 4mm ² series 30902
80247		Test plug \varnothing 2.3mm, with contact strips, of gold-plated brass. With strand 0.5mm ² soldered in and insulated socket for banana plug \varnothing 4mm, protected against accidental contact. With red insulating sleeve. Packing unit: 10 pcs	Small screw terminal 2.5mm ² Art. No. 2760 Wire-wrap terminal 1.5mm ² Art. No. 2759
80248		Test plug \varnothing 2.3mm, with contact strips, of gold-plated brass. With strand 0.5mm ² soldered in and insulated socket for banana plug \varnothing 4mm, protected against accidental contact. With black insulating sleeve. Packing unit: 10 pcs	Small screw terminal 2.5mm ² Art. No. 2760 Wire-wrap terminal 1.5mm ² Art. No. 2759



Marking accessories



Marking cards type RB/5x5
Marking cards type RB/6x9
Marking strips 3957/. and 3958/.

Information on label sizes and printings see Marking accessories for terminals for mounting rails 35mm, pages 1.1.100 and 1.1.101.

Terminal overview

Terminals for Woertz mounting rail and for independent mounting

Terminal types



Branching terminals of steatite
2.5-120 mm²
series 4020

pages 1.1.126 - 1.1.128



Bare earthing terminals
6-35 mm²
series 4310

pages 1.1.129 + 1.1.130



Branching terminals
with steatite base
120-500 mm²
series 2809

pages 1.1.131 + 1.1.132

Accessories



Mounting rails

page 1.1.134

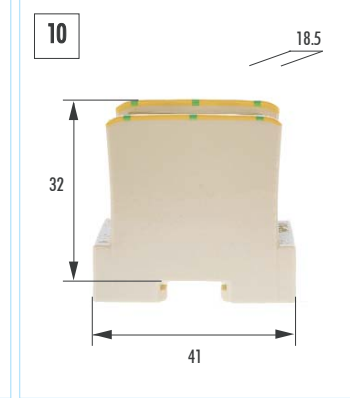
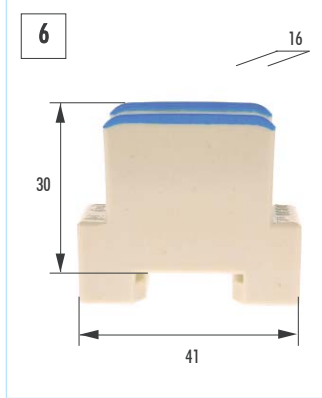
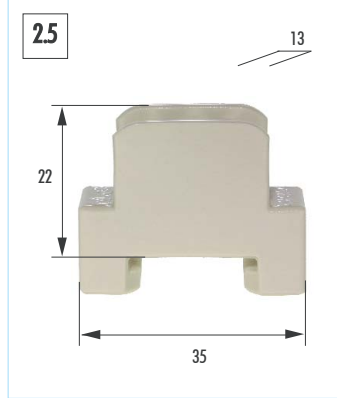
Terminal series	pages 1.1.125 to 1.1.132
Branching terminals of steatite 2.5-120 mm ²	1.1.126-1.1.128
Bare earthing terminals 6-35 mm ²	1.1.129+1.1.130
Branching terminals with steatite base 120-500 mm ²	1.1.131+1.1.132

Branching terminals with insulating body of glazed steatite

2.5-10 mm²



- Terminals and set screws of nickel-plated brass
- for temperature range up to 250°C (upper limit for brass)
- for high temperature variations (hot during sun exposure, cold at night)
- for high humidity
- Creep resistant, tropicalized



Article numbers

Ratings	2.5 mm ² 660V, 24A		6 mm ² 660V, 41A		10 mm ² 660V, 57A	
white	4020S		4020/6S		4022S	
blue	4020SBL		4020/6SBL		4022SBL	
green and yellow	4020SE		4020/6SE		4022SE	



Technical data

Set screws		M5	M6	M7
Clamping couple for electric screw-driver	Nm	0.8	1.4	2.0
Packing unit	pcs	25	20	20



Accessories see pages 1.1.133 and 1.1.134

Where to use

in outdoor switchboxes
in outdoor casings or in tunnels where condensation water can occur
in posts of streetlamps
for one through conductor and one or more branch conductors

How to connect

Unscrew clamping screws, pull off sliding cover, with terminals 70 and 120 mm² also remove pressure part, insert bared conductors (one main through conductor and one or more branch conductors) and clamp them with both clamping screws.

Technical information

Terminals 2.5-35mm²:
Slotted set screws
Sliding cover of stainless steel, without pressure part

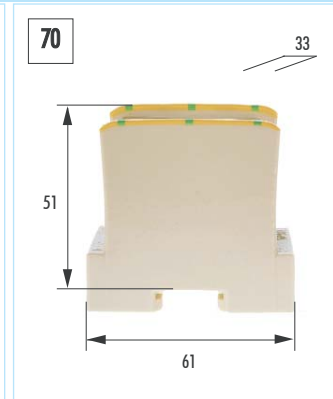
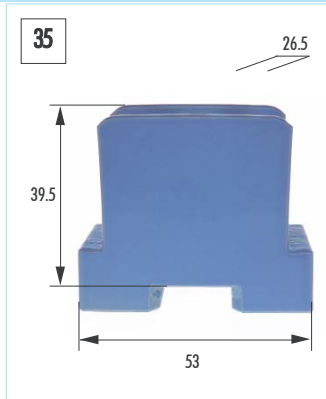
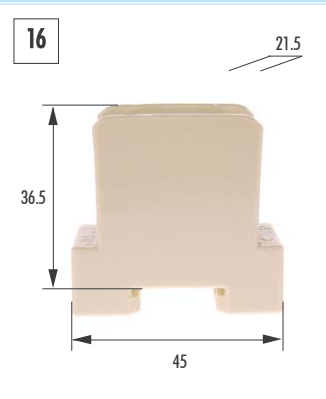
Terminals 70+120mm²:
Allen screws
Sliding cover of nickel-plated brass with pressure part of nickel-plated brass

Branching terminals with insulating body of glazed steatite

16-70 mm²



- Terminals and set screws of nickel-plated brass
- for temperature range up to 250°C (upper limit for brass)
- for high temperature variations (hot during sun exposure, cold at night)
- for high humidity
- Creep resistant, tropicalized



Article numbers

Ratings	16 mm ² 660V, 76A	35 mm ² 660V, 125A	70 mm ² 500V, 192A
white	4024S	4028S	4030S
blue	4024SBL	4028SBL	4030SBL
green and yellow	4024SE	4028SE	4030SE



Technical data

Set screws	M8	M12	M16 Allen
Key size	mm		8
Clamping couple for electric screw-driver	Nm	2.3	3.8
Packing unit	pcs	20	10



Accessories see pages 1.1.133 and 1.1.134



Where to use

in outdoor switchboxes
in outdoor casings or in tunnels where condensation water can occur
in posts of streetlamps
for one through conductor and one or more branch conductors

How to connect

Unscrew clamping screws
Pull off sliding cover,
with terminals 70 and 120 mm² also remove pressure part,
insert bared conductors (one main through conductor and one or more branch conductors) and clamp them with both clamping screws.

Technical information

Terminals 2.5-35mm²:
Slotted screws
Sliding cover of stainless steel, without pressure part

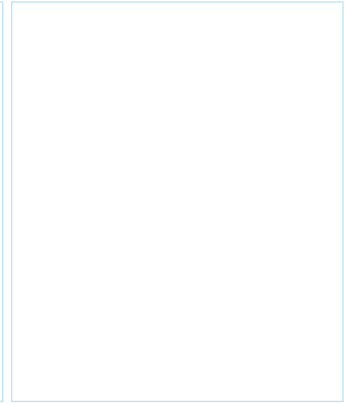
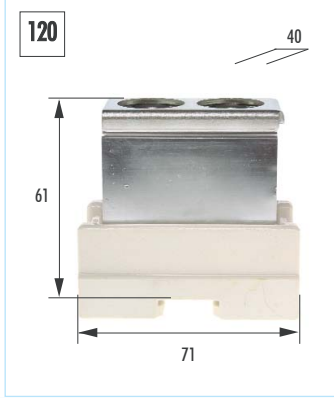
Terminals 70+120mm²:
Allen screws
Sliding cover of nickel-plated brass with pressure part of nickel-plated brass

Branching terminals with insulating body of glazed steatite

120 mm²



- Terminal and set screws of nickel-plated brass
- for temperature range up to 250°C (upper limit for brass)
- for high temperature variations (hot during sun exposure, cold at night)
- for high humidity
- Creep resistant, tropicalized



Article numbers

Ratings

120 mm²
500V, 269A

white
blue
green and yellow

4032S
4032SBL
4032SE



Technical data

Set screws

M20 Allen

Key size

mm

10

Clamping couple for electric screw-driver

Nm

30.0

Packing unit

pcs

5



Accessories see pages 1.1.133 and 1.1.134

Where to use

in outdoor switchboxes
in outdoor casings or in tunnels where condensation water can occur
in posts of streetlamps
for one through conductor and one or more branch conductors

How to connect

Unscrew clamping screws, pull off sliding cover, remove pressure part, insert bared conductors (one main through conductor and one or more branch conductors) and clamp them with both clamping screws.

Technical information

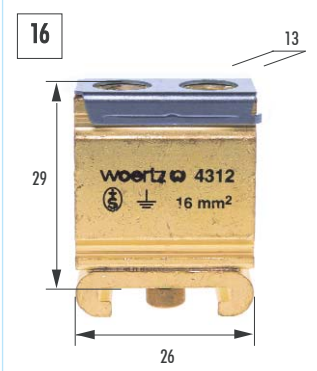
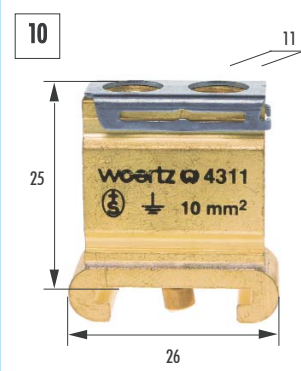
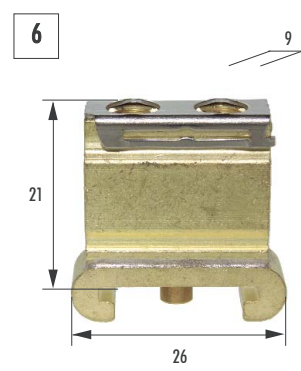
Allen screws
Sliding cover of nickel-plated brass with pressure part of nickel-plated brass

Bare earthing terminals

6-16 mm²



- Terminals of brass
- Slotted set screws of nickel-plated brass
- with two screws, with removable sliding cover of stainless steel for through conductors
- The connection between mounting rail and terminal as well as the connected conductors are protected against working loose



Article numbers

Ratings	2.5-6 mm ²	4-10 mm ²	6-16 mm ²
	4310	4311	4312

Technical data

Set screws		M6	M7	M8
Clamping couple for electric screw-driver	Nm	1.4	2.0	2.3
Packing unit	pcs	100	50	25

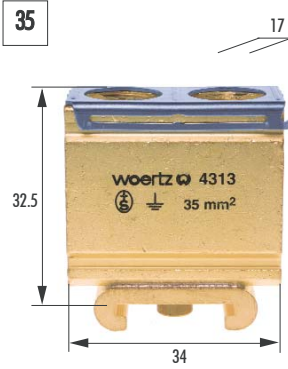
Accessories see pages 1.1.133 and 1.1.134

Bare earthing terminal

35 mm²



- Terminal of brass
- Slotted set screws of nickel-plated brass
- with two screws, with removable sliding cover of stainless steel for through conductors
- The connection between mounting rail and terminal as well as the connected conductors are protected against working loose



Article numbers

Ratings

10-35 mm²

4313



Technical data

Set screws

M12

Clamping couple for electric screw-driver

Nm

3.8

Packing unit

pcs

25



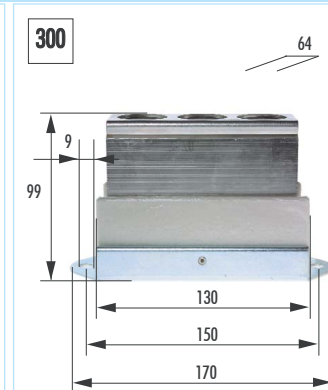
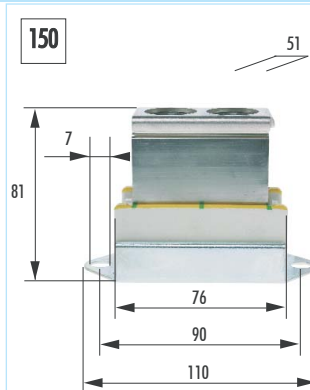
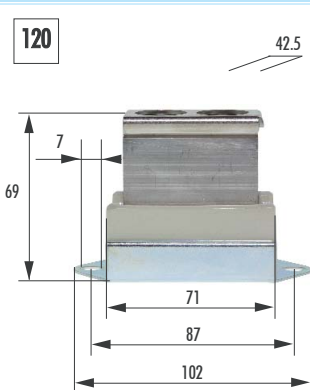
Accessories see pages 1.1.133 and 1.1.134

Branching terminals with steatite base

120-300 mm²



- for independent mounting
- Insulating body of glazed steatite
- Clamping body, pressure plate and Allen screws of nickel-plated brass
- with removable sliding cover for through conductors
- Base plate of corrosion-resistant sheet steel
- 120 and 150mm² with 2 Allen screws
- 300 and 500mm² with 3 Allen screws



Article numbers

Ratings	120 mm ² 1000V/250A	150 mm ² 1000V/300A	300 mm ² 1000V/500A
white	2809	2810	2812
blue	2809BL	2810BL	2812BL
green and yellow	2809E	2810E	2812E

Technical data

Connecting capacity	mm	15 x 31	16 x 36	23 x 51
Clamping screws	Allen	2 x key size 10 M20 x 1.5	2 x key size 10 M22 x 1.5	3 x key size 14 M30 x 2
Clamping couple for electric screw-driver	Nm	30.0	30.0	50.0
Packing unit	pcs	1	1	1

Accessories see pages 1.1.133 and 1.1.134

How to connect

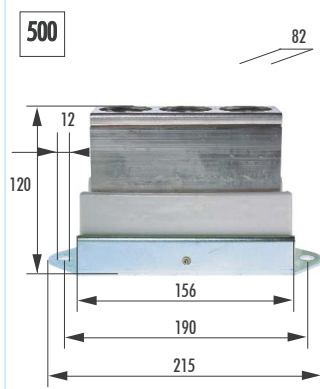
Always clamp bared conductors (one main through conductor and one or more branch conductors) with all Allen screws.

Branching terminals with steatite base

500 mm²



- for independent mounting
- Insulating body of glazed steatite
- Clamping body, pressure plate and Allen screws of nickel-plated brass
- with removable sliding cover for through conductors
- Base plate of corrosion-resistant sheet steel
- with 3 Allen screws



Article numbers

Ratings

500 mm²
1000V/650A

grey
blue
green and yellow

2814
2814BL
2814E



Technical data

Connecting capacity mm
Clamping screws Allen
Thread
Clamping couple for electric screw-driver Nm
Packing unit pcs

30 x 62
3 x key size 17
G 1 1/8"
50.0
1

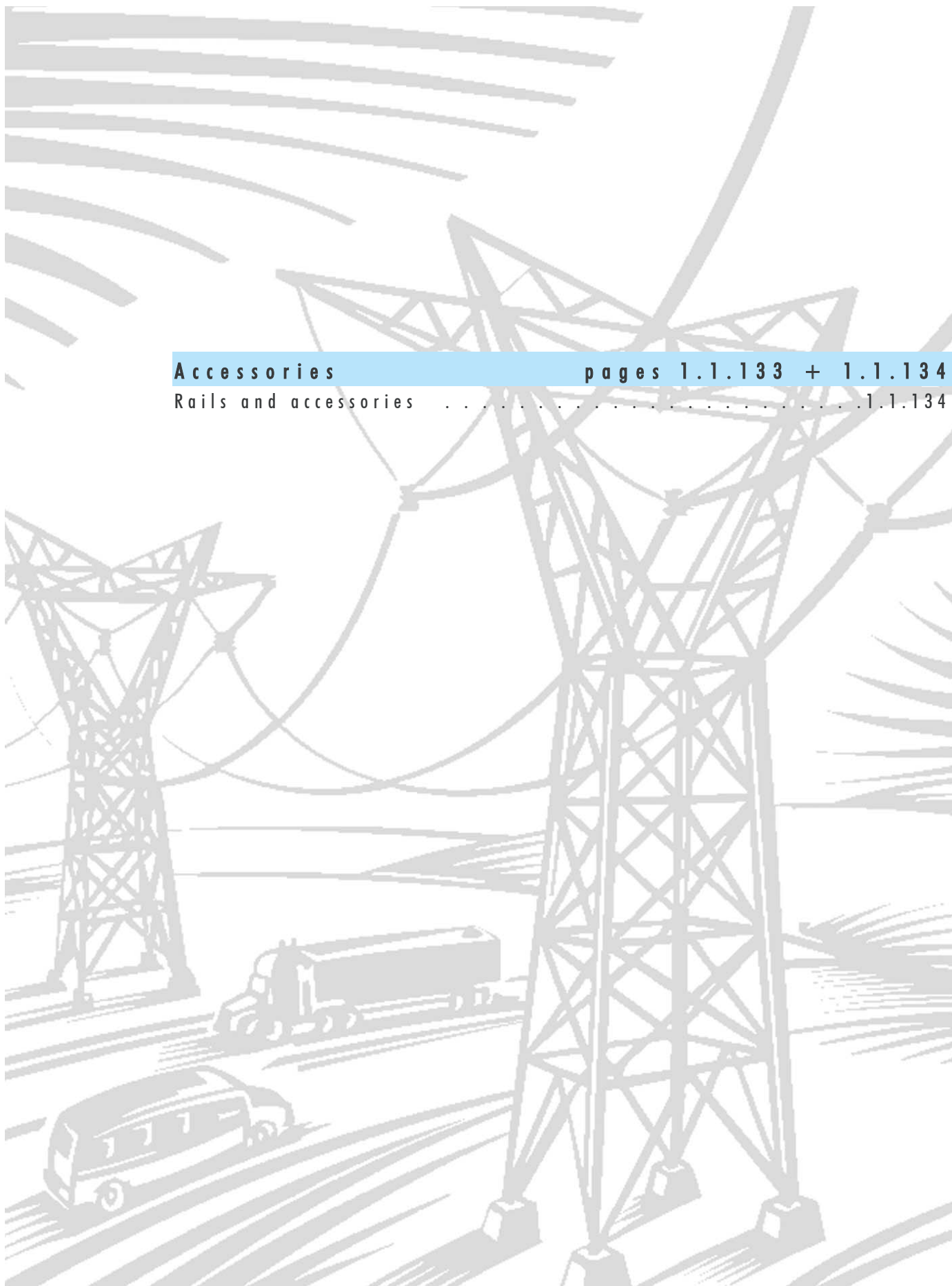


Accessories see pages 1.1.133 and 1.1.134

How to connect

Always clamp bared conductors (one main through conductor and one or more branch conductors) with all three Allen screws.

Accessories	pages 1.1.133 + 1.1.134
Rails and accessories	1.1.134



Woertz rail and accessories



Woertz rail

Article number	Illustration	Dimension illustration	Technical data
4050A			of aluminum alloy Corresponds to the thermal resistance to short-circuits of a Cu conductor of 50mm ² Made in lengths of 3m, weight 160 g/m



Supporting studs

4490B		with clamp and sealing screw, of nickel-plated brass, insulated bolt, for mounting on Woertz rail W=16mm, L=26mm, H=31mm Packing unit 50 pcs
4491B		with clamp and sealing screw, of nickel-plated brass, insulated bolt, for mounting on Woertz rail W=16mm, L=26mm, H=56mm Packing unit 50 pcs



Clamp

4054		5mm wide, of nickel-plated brass, with screw M3, for mounting on Woertz rail Packing unit 50 pcs
------	--	---



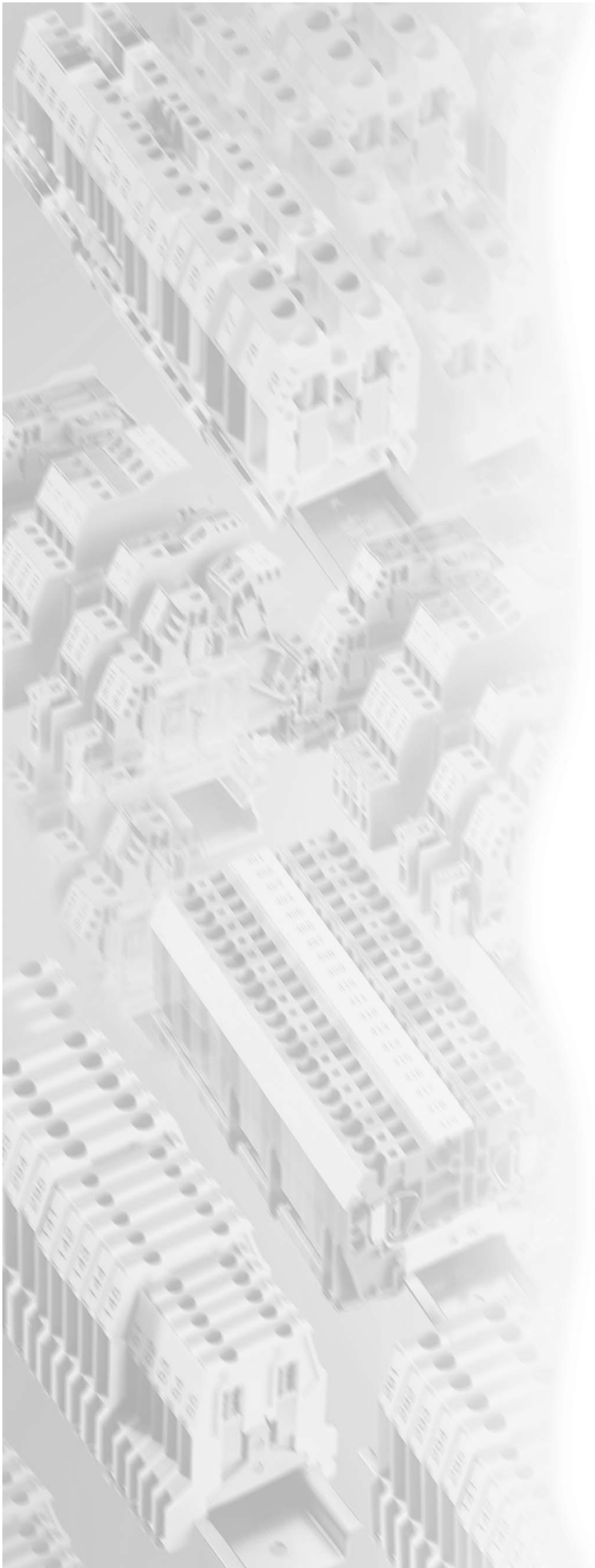
Spacer

4053/10J		10mm wide, of thermosetting plastic, black Packing unit 150 pcs
----------	--	--



Angled support bracket

80360/30			of sheet steel 2 mm, galvanized Length 89mm, width 20 mm, height 48mm angle of 30° with screw thread M6 for an accessible arrangement of terminals Packing unit: 10 pcs
----------	--	--	--



**O
R
D
E
R

N
U
M
B
E
R

I
N
D
E
X**

Order number index

2711BL	1.1.113	3428GR	1.1.39	3469BL	1.1.59
2711GR	1.1.113	3429BL	1.1.40	3469E	1.1.59
2712GR	1.1.118	3429GR	1.1.40	3469GR	1.1.59
2713GR	1.1.118	3430BL	1.1.24	3472BL	1.1.46
2715	1.1.121	3430E	1.1.24	3473BL	1.1.46
2721	1.1.111	3430GR	1.1.24	3474BL	1.1.73
2736R	1.1.98	3430GRBL	1.1.24	3475BL	1.1.73
2736S	1.1.98	3430OR	1.1.24	3477BL	1.1.46
2737R	1.1.98	3430/1P	1.1.25	3490	1.1.105
2737S	1.1.98	3430/1PBL	1.1.25	3490/L	1.1.105
2750	1.1.121	3430/4GRV	1.1.26	3497	1.1.76
2750A	1.1.121	3430/4V	1.1.26	3497M5	1.1.76
2754	1.1.119	3431	1.1.72	3499	1.1.76
2754A	1.1.119	3432	1.1.75	3499M5	1.1.76
2756	1.1.121	3433	1.1.45	3506	1.1.76
2759	1.1.115	3434	1.1.45	3507	1.1.76
2760	1.1.114	3435	1.1.43	3508	1.1.76
2762	1.1.118	3436	1.1.43	3509	1.1.76
2763	1.1.118	3436/4V	1.1.41	3512	1.1.87
2764	1.1.118	3436/10	1.1.43	3516	1.1.73
2765	1.1.119	3436/10V	1.1.41	3517	1.1.73
2809	1.1.131	3436V	1.1.41	3518	1.1.73
2809BL	1.1.131	3437	1.1.44	3519	1.1.73
2809E	1.1.131	3437V	1.1.42	3772PR	1.1.98
2810	1.1.131	3438	1.1.44	3772PS	1.1.98
2810BL	1.1.131	3438V	1.1.42	3821	1.1.95
2810E	1.1.131	3440GR	1.1.68	3826/4	1.1.87
2812	1.1.131	3444	1.1.74	3838	1.1.97
2812BL	1.1.131	3445	1.1.77	3839	1.1.97
2812E	1.1.131	3450BL	1.1.16	3856	1.1.97
2814	1.1.132	3450BR	1.1.17	3859	1.1.97
2814BL	1.1.132	3450E	1.1.16	3867/4	1.1.89
2814E	1.1.132	3450GE	1.1.17	3868/4	1.1.87
3400A	1.1.105	3450GN	1.1.17	3869/4	1.1.90
3401	1.1.105	3450GR	1.1.16	3886/4	1.1.88
3401/L	1.1.105	3450OR	1.1.17	3887/4	1.1.88
3401IN	1.1.105	3450RO	1.1.17	3894/4	1.1.88
3410BL	1.1.24	3450SW	1.1.17	3954	1.1.102
3410GR	1.1.24	3450WE	1.1.17	3955/4	1.1.102
3411	1.1.72	3452/6BL	1.1.16	3955/6	1.1.102
3412	1.1.75	3452/6E	1.1.16	3957	1.1.100
3418	1.1.78	3452/6GR	1.1.16	3958/1	1.1.100
3424BL	1.1.38	3452/10BL	1.1.17	3958/A	1.1.100
3424E	1.1.38	3452/10E	1.1.17	4020S	1.1.126
3424GR	1.1.38	3452/10GR	1.1.17	4020SBL	1.1.126
3425BL	1.1.38	3452/16BL	1.1.17	4020SE	1.1.126
3425E	1.1.38	3452/16E	1.1.17	4020/6S	1.1.126
3425GR	1.1.38	3452/16GR	1.1.17	4020/6SBL	1.1.126
3426BL	1.1.39	3459	1.1.107	4020/6SE	1.1.126
3426E	1.1.39	3460	1.1.72	4022S	1.1.126
3426GR	1.1.39	3461	1.1.75	4022SBL	1.1.126
3427BL	1.1.39	3464	1.1.72	4022SE	1.1.126
3427E	1.1.39	3465	1.1.75	4024S	1.1.127
3427GR	1.1.39	3468BL	1.1.59	4024SBL	1.1.127
3428BL	1.1.39	3468E	1.1.59	4024SE	1.1.127
3428E	1.1.39	3468GR	1.1.59	4028S	1.1.127

4028SBL	1.1.127	30150SW	1.1.17	30414BL	1.1.85
4028SE	1.1.127	30150WE	1.1.17	30414RO	1.1.85
4030S	1.1.127	30158	1.1.74	30420/20	1.1.86
4030SBL	1.1.127	30159	1.1.74	30421	1.1.94
4030SE	1.1.127	30168	1.1.50	30422	1.1.94
4032S	1.1.128	30172	1.1.50	30430	1.1.28
4032SBL	1.1.128	30176	1.1.54	30431/1	1.1.27
4032SE	1.1.128	30179	1.1.86	30431/2	1.1.27
4050A	1.1.134	30181	1.1.62	30432	1.1.27
4053/10J	1.1.134	30182	1.1.62	30438	1.1.72
4054	1.1.134	30191	1.1.52	30439	1.1.72
4310	1.1.129	30195	1.1.52	30441	1.1.81
4311	1.1.129	30197	1.1.47	30544/4V	1.1.18
4312	1.1.129	30199	1.1.78	30544/6V	1.1.18
4313	1.1.130	30200	1.1.47	30544/10V	1.1.18
4490B	1.1.134	30205	1.1.96	30544/16V	1.1.19
4491B	1.1.134	30224/25A	1.1.63	30550/70	1.1.44
9072	1.1.106	30224/60A	1.1.63	30550/70V	1.1.42
01062	1.1.122	30224/100A	1.1.63	30790	1.1.85
01068	1.1.87	30224/160A	1.1.64	30790/9	1.1.85
01162	1.1.87	30224/160B	1.1.64	30790/9IS	1.1.85
01165	1.1.90	30228	1.1.54	30790/17	1.1.85
08569	1.1.89	30285M8BL	1.1.66	30791	1.1.85
17402	1.1.87	30285M8GR	1.1.66	30792	1.1.85
30003	1.1.56	30285M12BL	1.1.66	30793	1.1.121
30005	1.1.55	30285M12GR	1.1.66	30798	1.1.85
30008	1.1.55	30286M8BL	1.1.65	30800	1.1.32
30009	1.1.56	30286M8GR	1.1.65	30800P	1.1.32
30025	1.1.74	30286M10BL	1.1.65	30810	1.1.23
30041	1.1.56	30286M10GR	1.1.65	30811	1.1.72
30112	1.1.74	30286M12BL	1.1.65	30840BL	1.1.57
30123	1.1.49	30286M12GR	1.1.65	30840E	1.1.57
30124	1.1.48	30287M8	1.1.67	30840GR	1.1.57
30127	1.1.49	30287M10	1.1.67	30841BL	1.1.57
30128BL	1.1.38	30290	1.1.31	30841E	1.1.57
30128E	1.1.38	30291	1.1.31	30841GR	1.1.57
30128GR	1.1.38	30296	1.1.75	30842BL	1.1.57
30130	1.1.48	30297	1.1.75	30842E	1.1.57
30132	1.1.95	30311	1.1.74	30842GR	1.1.57
30133	1.1.96	30321	1.1.75	30843BL	1.1.58
30134	1.1.96	30370	1.1.78	30843E	1.1.58
30134/24	1.1.96	30371	1.1.20	30843GR	1.1.58
30134/230	1.1.96	30372	1.1.20	30844BL	1.1.58
30137GR	1.1.69	30373	1.1.20	30844E	1.1.58
30138GR	1.1.69	30380	1.1.60	30844GR	1.1.58
30139	1.1.74	30381	1.1.60	30860BL	1.1.24
30143GR	1.1.69	30382	1.1.60	30860GR	1.1.24
30146	1.1.53	30383	1.1.61	30870	1.1.51
30150BL	1.1.16	30384	1.1.61	30870P	1.1.51
30150BR	1.1.17	30400	1.1.29	30880E	1.1.37
30150E	1.1.16	30403	1.1.30	30880J	1.1.37
30150GE	1.1.17	30406	1.1.72	30880K	1.1.37
30150GN	1.1.17	30407	1.1.72	30880T	1.1.37
30150GR	1.1.16	30408	1.1.79	30890	1.1.33
30150OR	1.1.17	30413BL	1.1.85	30891	1.1.33
30150RO	1.1.17	30413RO	1.1.85	30892	1.1.73

Order number index

30893	1.1.77	80059/31	1.1.106	81445	1.1.97
30902/4V	1.1.112	80063	1.1.106	81446	1.1.97
30902BL	1.1.110	80064	1.1.106	81452L	1.1.80
30902E	1.1.110	80065	1.1.106	81501	1.1.82
30902GR	1.1.110	80066	1.1.106	81501/2	1.1.82
30903BL	1.1.21	80070R	1.1.98	81504	1.1.83
30903GR	1.1.21	80070S	1.1.98	81504/2	1.1.83
30904BL	1.1.21	80071R	1.1.98	81505	1.1.79
30904GR	1.1.21	80071S	1.1.98	81505/2	1.1.79
30912	1.1.118	80079/10	1.1.92	81506	1.1.79
30913	1.1.73	80079/35	1.1.92	81506/2	1.1.79
30922	1.1.118	80079/120	1.1.92	81507/2	1.1.80
30930	1.1.34	80155	1.1.102	81508	1.1.80
30930/24	1.1.34	80156	1.1.102	81508/2	1.1.80
30930/250	1.1.34	80158	1.1.102	81515	1.1.120
30935	1.1.35	80220/6	1.1.99	81515/2	1.1.120
30935/24	1.1.35	80222/6	1.1.99	81525	1.1.80
30935/250	1.1.35	80247	1.1.99	81525/2	1.1.80
30940	1.1.36	80248	1.1.99	81526	1.1.81
30940/24	1.1.36	80254	1.1.77	81526/2	1.1.81
30940/250	1.1.36	80255	1.1.77	81535	1.1.81
30945	1.1.73	80256	1.1.77	81535/2	1.1.81
30950BL	1.1.70	80258	1.1.99	81536	1.1.81
30950E	1.1.70	80290	1.1.105	81536/2	1.1.81
30950GR	1.1.70	80291/2M	1.1.105	81541	1.1.82
30951BL	1.1.70	80323	1.1.104	81541/2	1.1.82
30951E	1.1.70	80360/30	1.1.107	81546	1.1.83
30951GR	1.1.70	80410L	1.1.84	81546/2	1.1.83
30952BL	1.1.70	80500	1.1.104	81548	1.1.83
30952E	1.1.70	80500BS	1.1.104	81548/2	1.1.83
30952GR	1.1.70	80501	1.1.104	81549	1.1.84
30956	1.1.97	80502	1.1.104	81549/2	1.1.84
30957	1.1.97	80505AD	1.1.104	81556	1.1.84
30973BL	1.1.22	80505ENT	1.1.104	81556/2	1.1.84
30973GR	1.1.22	80505PHX	1.1.104	83010	1.1.100
30983	1.1.73	80505SES	1.1.104	83010/1	1.1.100
35455/05X05	1.1.101	80505TE	1.1.104	83010/A	1.1.100
35455/05X09	1.1.101	80505WA	1.1.104		
35455/05X12	1.1.101	80505WDM	1.1.104		
35455/06X09	1.1.101	80505WI	1.1.104		
35455/06X12	1.1.101	80506	1.1.104		
35455/08X09	1.1.101	80507	1.1.104		
35455/08X12	1.1.101	80510	1.1.104		
35455/5201	1.1.101	80514	1.1.104		
35455/5501	1.1.101	80515	1.1.104		
35455/5901	1.1.101	80518	1.1.104		
35455/6201	1.1.101	80519	1.1.104		
35455/6901	1.1.101	81401/4	1.1.89		
35455/8201	1.1.101	81410L	1.1.79		
35455/8901	1.1.101	81412L	1.1.80		
49907	1.1.106	81413L	1.1.84		
80049/4	1.1.93	81414L	1.1.82		
80049/6	1.1.93	81415L	1.1.83		
80049/10	1.1.93	81427	1.1.91		
80049/16	1.1.93	81440	1.1.87		
80049/35	1.1.93	81441	1.1.87		

STANDARD CROSS SECTIONS OF ROUND COPPER CONDUCTORS

Rated cross section mm ²		AWG/MCM		Rated cross section mm ²		AWG/MCM		Rated cross section mm ²		AWG/MCM	
0.2	mm ²			16	mm ²			127	mm ²	250	MCM
0.33	mm ²	22	AWG	21.1	mm ²	4	AWG	150	mm ²		
0.5	mm ²			25	mm ²			152	mm ²	300	MCM
0.513	mm ²	20	AWG	26.7	mm ²	3	AWG	177	mm ²	350	MCM
0.75	mm ²			33.6	mm ²	2	AWG	185	mm ²		
0.82	mm ²	18	AWG	35	mm ²			203	mm ²	400	MCM
1.0	mm ²			42.4	mm ²	1	AWG	240	mm ²		
1.31	mm ²	16	AWG	50	mm ²			253	mm ²	500	MCM
1.5	mm ²			53.5	mm ²	0	AWG	304	mm ²	600	MCM
2.08	mm ²	14	AWG	67.4	mm ²	00	AWG	355	mm ²	700	MCM
2.5	mm ²			70	mm ²			380	mm ²	750	MCM
3.31	mm ²	12	AWG	85	mm ²	000	AWG	405	mm ²	800	MCM
4	mm ²			95	mm ²			456	mm ²	900	MCM
5.26	mm ²	10	AWG	107	mm ²	0000	AWG	507	mm ²	1000	MCM
6	mm ²			120	mm ²			634	mm ²	1250	MCM
8.37	mm ²	8	AWG					760	mm ²	1500	MCM
10	mm ²							887	mm ²	1750	MCM
13.3	mm ²	6	AWG					1014	mm ²	2000	MCM

